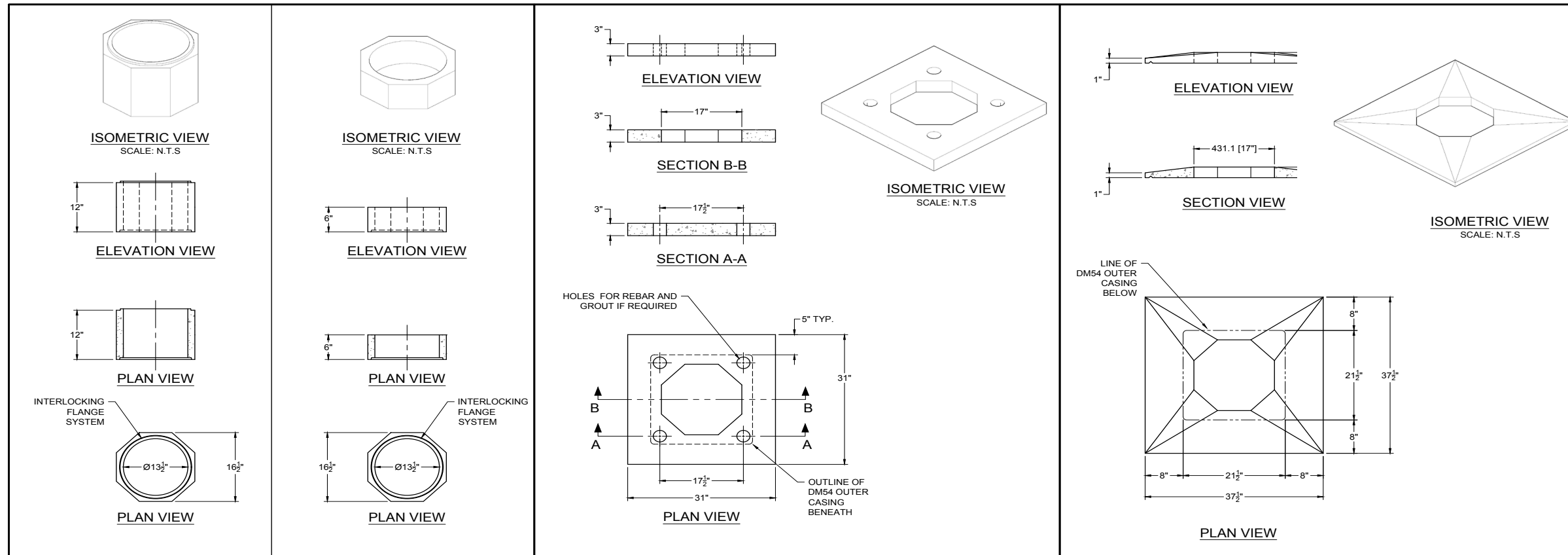


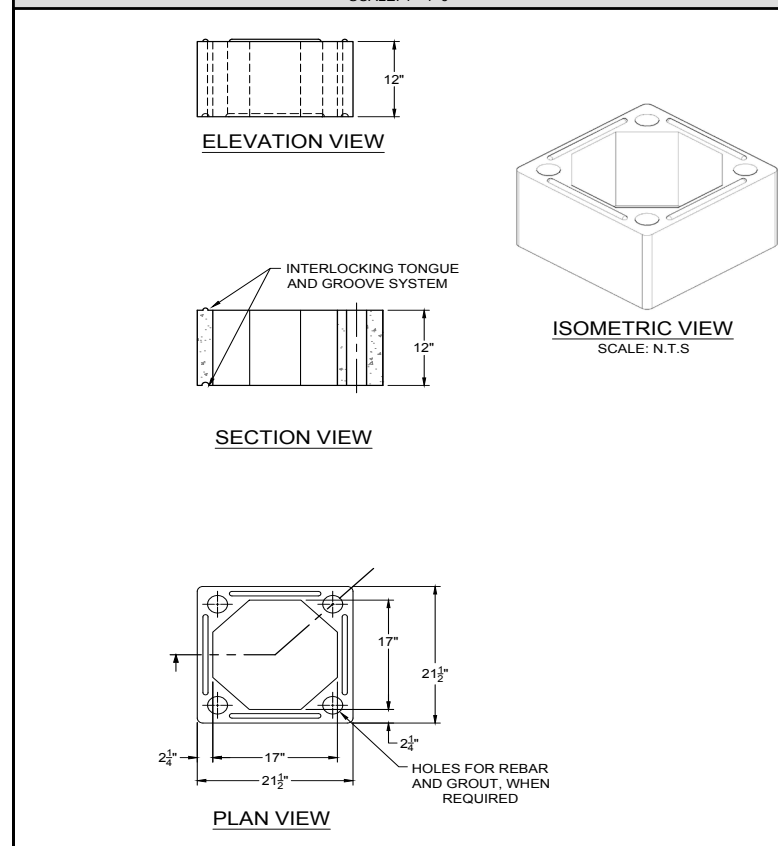
DM 54 Chimney Flue



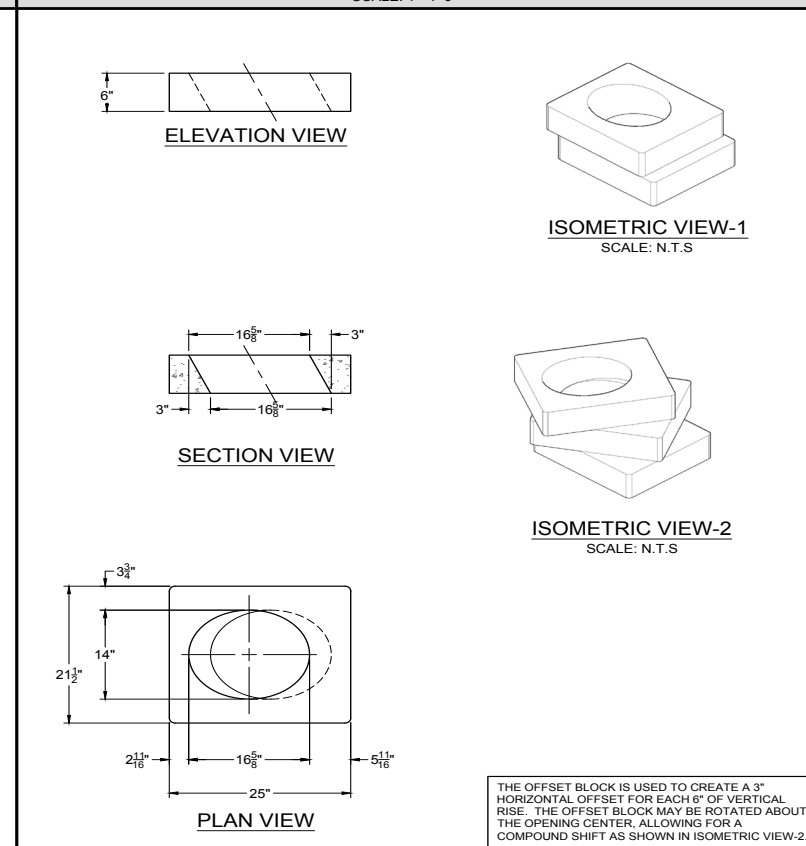
DM54 FLUE-Ø14" INNER LINER AND Ø14" STARTER BLOCK
SCALE: 1"=1'-0"

DM54 FLUE-BRICK LEDGE
SCALE: 1"=1'-0"

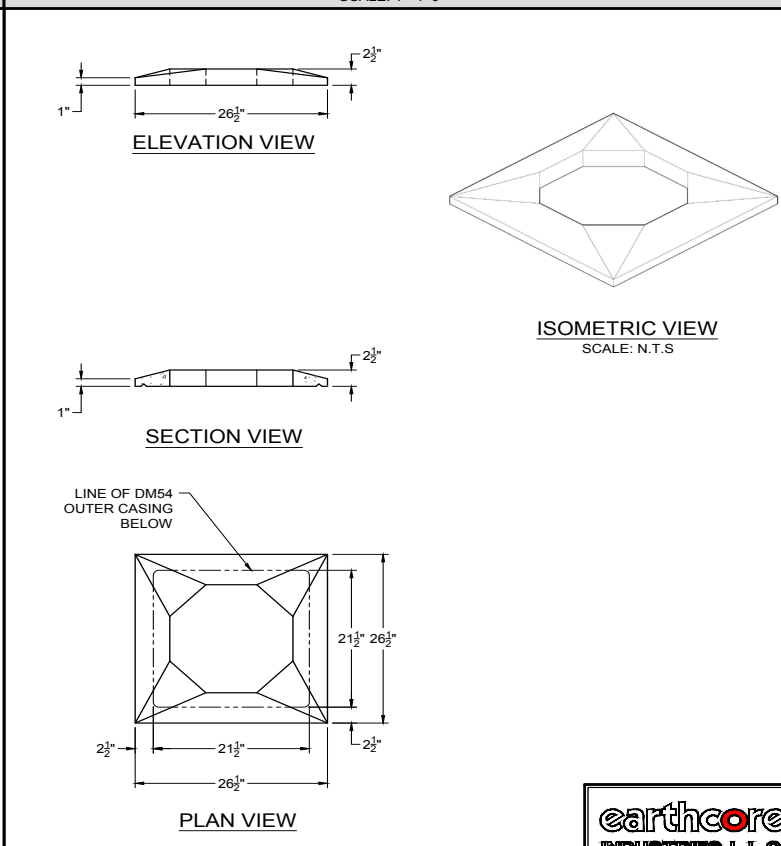
DM54 FLUE-LARGE CROWN CAP
SCALE: 1"=1'-0"



DM54 FLUE-OUTER CASING
SCALE: 1"=1'-0"



DM54 FLUE-Ø14" OFFSET BLOCK
SCALE: 1"=1'-0"



DM54 FLUE-SMALL CROWN CAP
SCALE: 1"=1'-0"

COMPONENT LIST		
PART #	DESCRIPTION	QTY.
45433	DM54 Outer Casing 21-1/2" x 21-1/2"x12"	
70235	DM54 Flue Liner 14" - Inner	
70003	DM54 14" Starter Flue 6" Height	
40111	DM54 Brick Ledge - 31-1/2"x31-1/2"	
40136	DM54 Offset Block 25"x21-1/2"x6" - 3" Increment	
40322	DM54 Small Crown Cap for Stucco, Thin Set Stone/Brick	
40323	DM54 Large Crown Cap for Brick or Full Stone, CMU Block	

GENERAL NOTES

- DRAWINGS ARE FOR DESIGN PURPOSES ONLY AND ARE THE SOLE PROPERTY OF EARTHCORE INDUSTRIES. ANY REPRODUCTION OR UNAUTHORIZED USE IS STRICTLY PROHIBITED.
- EARTHCORE/ ISOKERN OR ANY DIVISION THEREOF SHALL NOT BE HELD LIABLE FOR ANY INCIDENTAL OR CONSEQUENTIAL DAMAGES OR EXPENSES ARISING OUT OF THE USE OF THE FIREPLACES OR CHIMNEY SYSTEMS.
- ALWAYS CHECK LOCAL BUILDING CODES GOVERNING FIREPLACES AND FIREPLACE INSTALLATIONS

SPECIFICATIONS

I. MANUFACTURER
A. ISOKERN Fireplace and Chimney Systems, North America distribution by Earthcore Industries, LLC, Jacksonville, Florida (Telephone 800-642-2920)

II. PRODUCT DESCRIPTION
A. Modular refractory masonry precast chimney components
1. Designed for field assembly as a chimney unit
2. All interlocking parts necessary for assembly of a complete Class-A masonry chimney unit.
3. Interlocking double module chimney components

III. MATERIALS
A. Lightweight concrete of a proprietary mixture of Icelandic volcanic aggregate and aluminum cement for chimney block and flue liner components.
1. Compressive Strength: Chimney Block: 972 psi
2. Compressive Strength: Flue Liner: 1175 psi
B. Premixed (dry) EARTHCORE ADHESIVE:
1. Tensile strength: 807 psi; Compressive strength: 2460 psi.
2. Tested per ASTM C109, ASTM C307, and ANSI 118.4.

IV. INSTALLATION
A. Reference manufacturer's installation instructions for standard configurations, weights, sizes and installation details.
B. Chimneys to be assembled on site per manufacturer's illustrated instructions.
1. Premixed EARTHCORE ADHESIVE is used at all joints between components.
C. Chimney system listed for "zero clearance" to uninsulated wood framing members.

V. CERTIFICATION
A. Warnock Hersey/Intertek Testing Services Report No. 632-912500.
B. Meets or exceeds U.L. 103HT; U.L. 1777; U.L.C. 5610.

VI. CODE COMPLIANCE:
A. I.C.B.O. No. 5017 / LARR #2823 / MEA N.Y.C. 241-90-E / ICC ER-5017.



UNLESS OTHERWISE STATED, ALL DIMENSIONS ARE IN INCHES		PROJECT: DM54 SYSTEM COMPONENTS	
UNSPECIFIED TOLERANCES	THIRD ANGLE PROJECTION	DESCRIPTION: DUAL MODULE CHIMNEY SYSTEM COMPONENT DRAWINGS	
ANG. X ±		MATERIAL: E.C. PUMICE MIXTURE	
LN. X ±		DRAWN: K.B.H.	DATE: 3/9/2018
X ±		APPROVED:	DATE:
XX ±			

8899 Philips Industrial Blvd.
Jacksonville, FL 32256