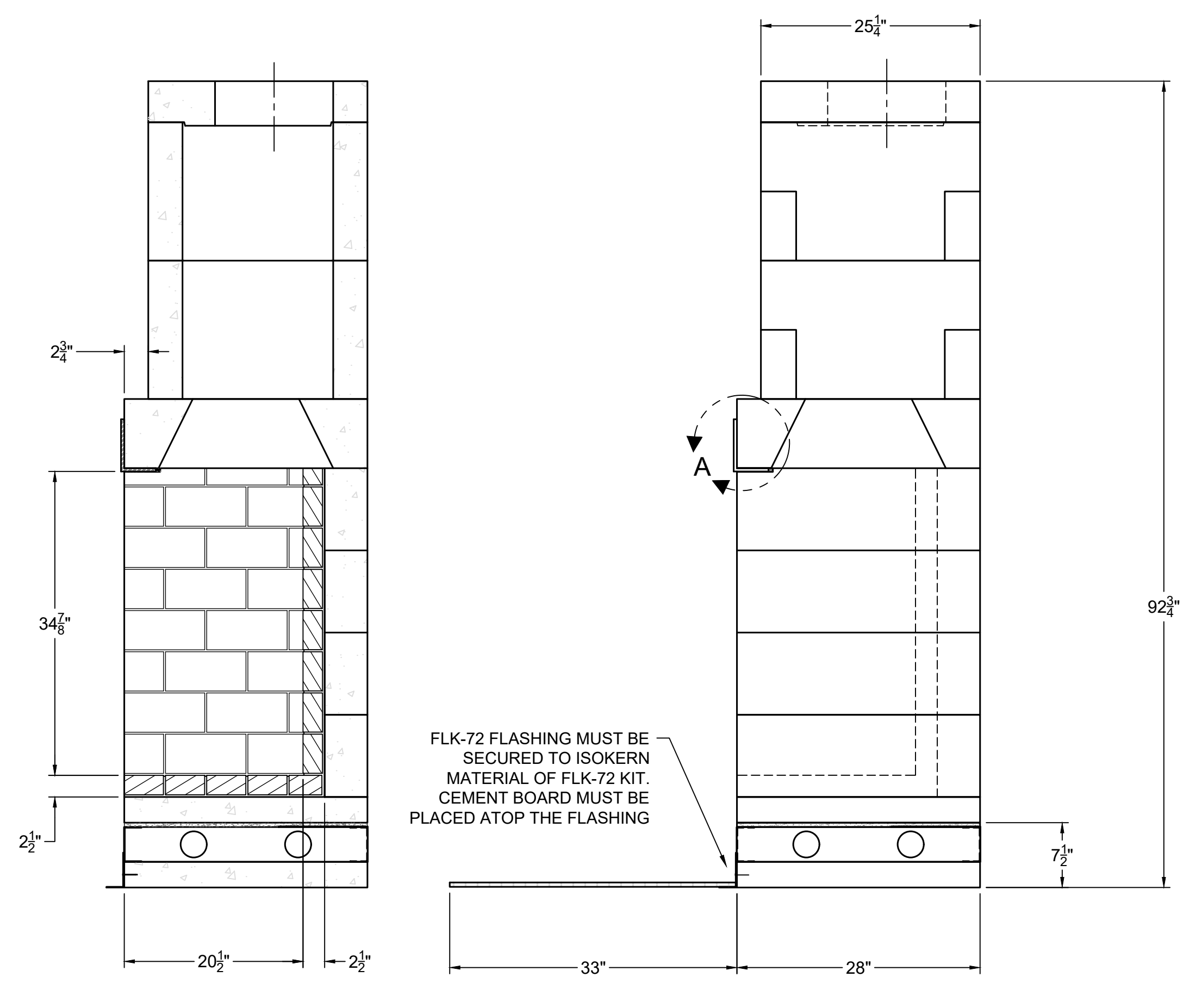


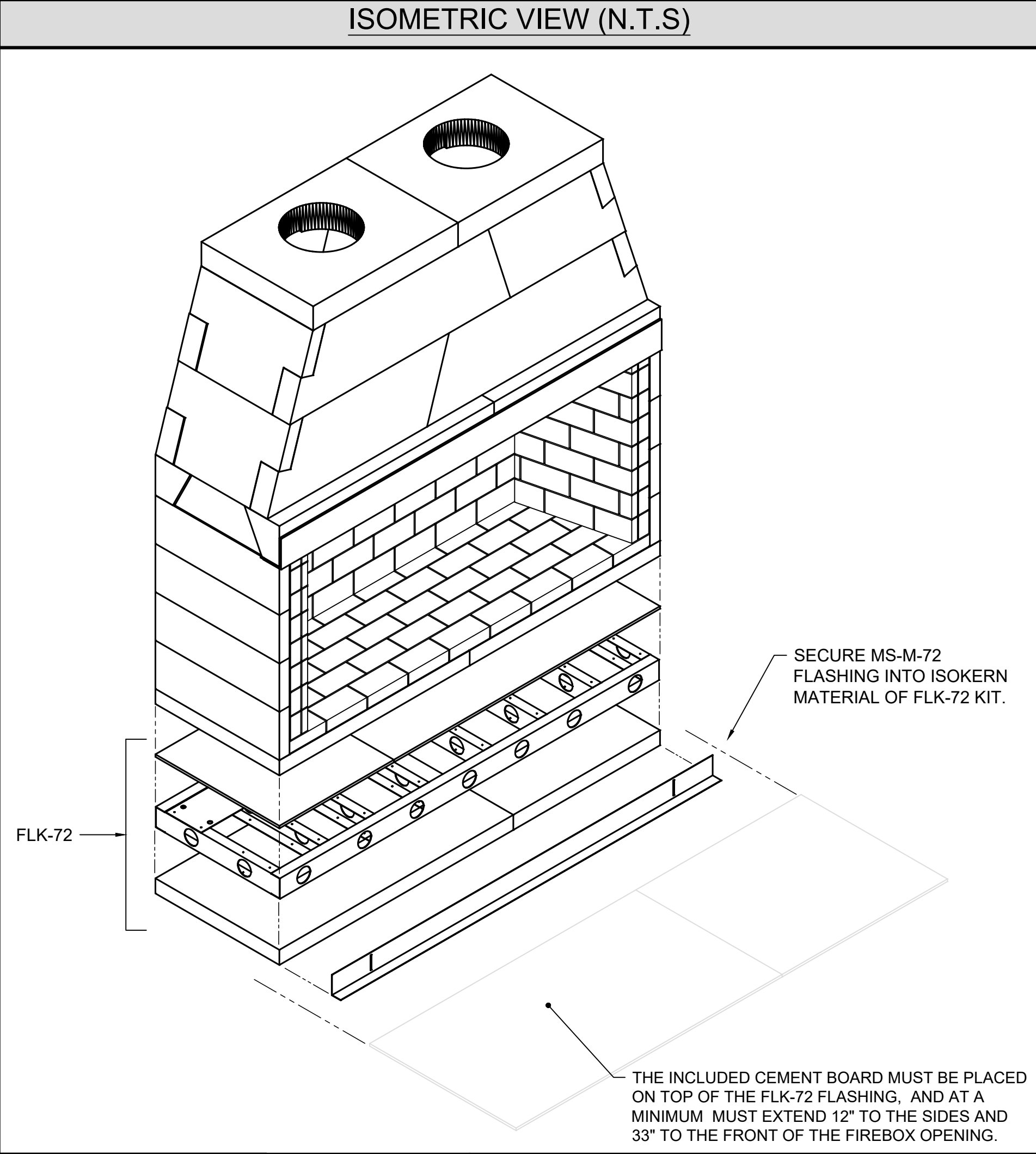
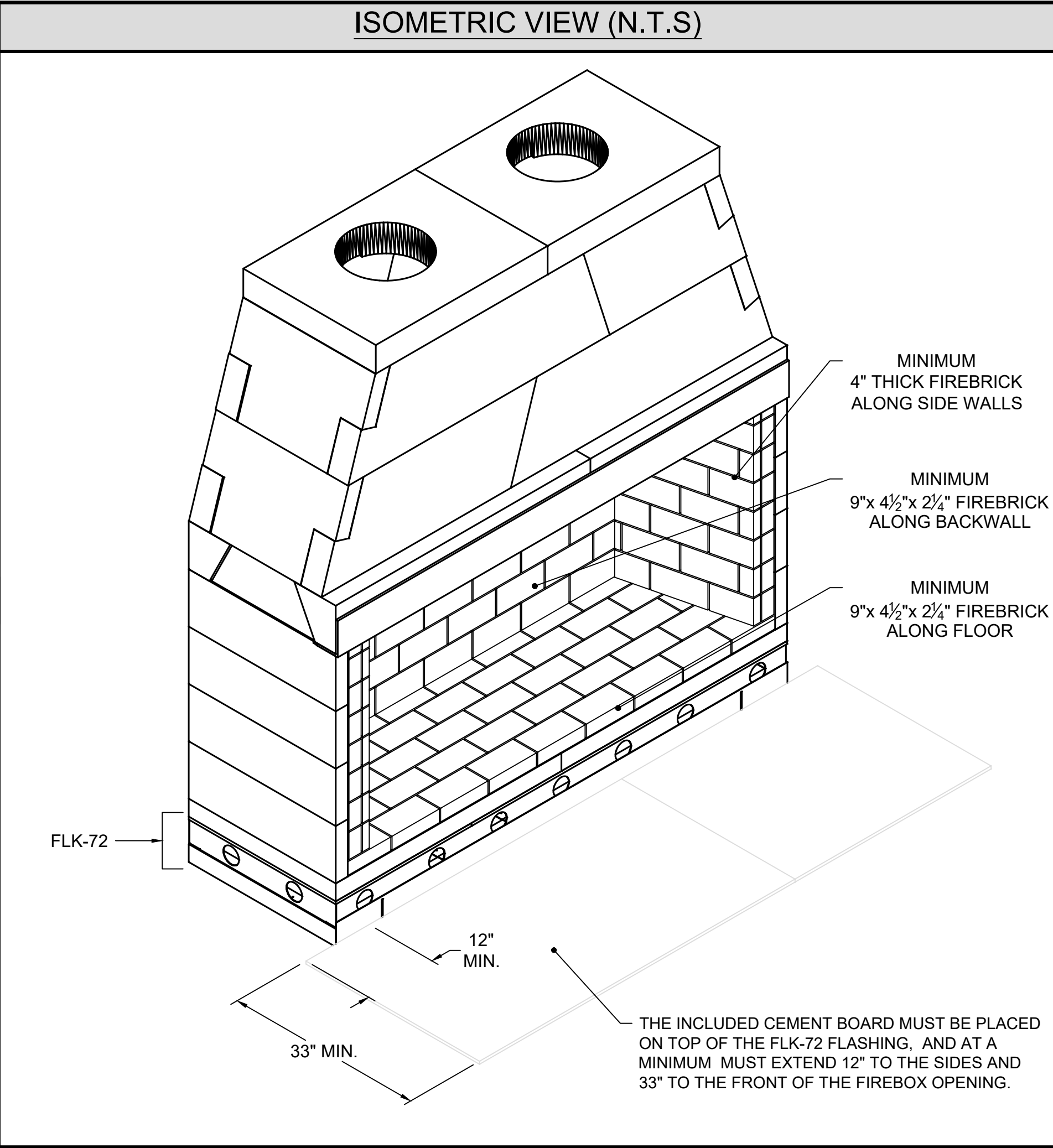
\*MS-M-72 FLASHING NOT SHOWN IN VIEW  
\*FIREBRICK REMOVED FROM BACK WALL FOR CLARITY

DETAILS		COMPONENT LIST		
<p><b>DETAIL A</b> DAMPER SUPPORT ANGLE SCALE: 3"=1'-0"</p>		PART #	DESCRIPTION	QTY.
		16	SMOKE DOME LARGE 60"/70" MAG	4
	18	SMOKE DOME LARGE 72" MAG	2	
	19	SMOKE DOME 72" MAG	2	
	34	TOP SLOPING	4	
	72	BACKWALL-60"/72" MAG	4	
	73	BACKWALL-72" MAG	4	
	69	DAMPER BEAM-42	2	
	83	DAMPER BEAM 72" MAG	2	
	77A	TOP PLATE W/345mm HOLE	2	
	M90	SIDEWALL MAG	8	
	M91	BASEPLATE-36" MAG	2	
	M94L	MAGNUM DAMPER END; LEFT	1	
	M94R	MAGNUM DAMPER END; RIGHT	1	
	100	4" x 6" x 3/8" ANGLE IRON; NOT SUPPLIED	1	
	FLK-72	83-1/2" FIRE-LITE KIT	1	

- GENERAL NOTES**
- DRAWINGS ARE FOR DESIGN PURPOSES ONLY AND ARE THE SOLE PROPERTY OF EARTHCORE INDUSTRIES. ANY REPRODUCTION OR UNAUTHORIZED USE IS STRICTLY PROHIBITED.
  - EARTHCORE/ ISOKERN OR ANY DIVISION THEREOF SHALL NOT BE HELD LIABLE FOR ANY INCIDENTAL OR CONSEQUENTIAL DAMAGES OR EXPENSES ARISING OUT OF THE USE OF THE FIREPLACES OR CHIMNEY SYSTEMS.
  - ALWAYS CHECK LOCAL BUILDING CODES GOVERNING FIREPLACES AND FIREPLACE INSTALLATIONS.
  - TWO (2) 4" COMBUSTION AIR INLET KITS ARE RECOMMENDED BY EARTHCORE AND MAY HELP IMPROVE FIREPLACE OPERATION IN HOMES TIGHTLY SEALED AND WITH OTHER VENTILATING APPLIANCES INSTALLED. IF THE INSTALLATION IS TO BE LONGER THAN TEN FEET (10'), THEN THE SIX INCH (6") ADAPTER WILL BE NEEDED. THIS ADAPTER WILL ATTACH TO THE EXISTING FOUR INCH (4") SLEEVE OUTSIDE OF THE UNIT. THE SIX INCH ADAPTER INCLUDES AN ADDITIONAL TWENTY FEET OF 6" FLEX HOSE, FOR A MAXIMUM RUN OF THIRTY FEET (30').
  - THE FIRE-LITE INSTALLATION REQUIRES USAGE OF ECOSTEEL OR ECOSTEEL+ CLASS-A METAL FLUE SYSTEM.
  - THE FIRELITE STAND'S NONCOMBUSTIBLE RAISED PLATFORM MUST BE SET WITH A MINIMUM ONE AND ONE HALF INCH (1-1/2") CLEARANCE TO THE WALLS TO THE SIDES AND DIRECTLY BEHIND THE FIRE-LITE ASSEMBLY. IF THESE WALLS CONTAIN UNSHIELDED INSULATION, IT MUST BE KEPT A MINIMUM OF THREE INCHES (3") AWAY FROM FIREBOX ASSEMBLY.
  - ISOKERN IS NOT RESPONSIBLE FOR STRUCTURAL FLOOR SUPPORT DETAILS FOR THE FIRE-LITE FIREPLACE. FLOOR FRAMING WILL NEED TO BE DESIGNED AND BUILT TO ACCEPT SUBSTANTIAL DEAD LOADS SPREAD OVER A RELATIVELY SMALL FLOOR AREA. CONSULT YOUR LOCAL STRUCTURAL ENGINEER FOR PROPER FLOOR SYSTEM DESIGN, SIZING, AND SPECIFICATIONS. THE APPROXIMATE FOOT PRINT AREA AND DEAD LOAD AMOUNTS MAY BE FOUND IN YOUR FIREPLACE OWNER'S MANUAL.
  - MAGNUM 60" & 72" INSTALLED WITH THE FIRE-LITE APPLICATION MUST USE 4" FIREBRICK ON THE SIDEWALLS (THIS CAN BE ACCOMPLISHED EITHER BY TURNING FULL SIZE (9" X 4" X 2-1/2") FIREBRICKS TO USE THE THICK END TO ACCOMPLISH THE DEPTH OR BY COMBINING A LAYER OF SPLIT SIZE (9" X 4" X 1-1/4") + FULL SIZE (9" X 4" X 2-1/2") FIREBRICKS. IN ADDITION, FULL SIZE (9" X 4" X 2-1/2") FIREBRICKS MUST BE USED ON THE BACKWALL AND FLOOR.



**RIGHT-SIDE VIEW**



**earthcore**  
INDUSTRIES, L.L.C.

6899 Philips Industrial Blvd.  
Jacksonville, FL 32256

PROJECT: **72" MAGNUM WITH FIRELITE**

DESCRIPTION: FIREPLACE CONSTRUCTION DOCUMENT

MATERIAL: E.C. PUMICE MIXTURE

DRAWN: K.B.H. DATE: 5/1/2020

APPROVED: DATE:

SIZE: D SCALE: 1"=1'-0"

DRAWING #: 82072-FLK

REV: B

UNLESS OTHERWISE STATED, ALL DIMENSIONS ARE IN MILLIMETERS

THIRD ANGLE PROJECTION

ANG. X ±

LIN. X ±

XX ±

DO NOT SCALE

SHEET # 1 OF 1