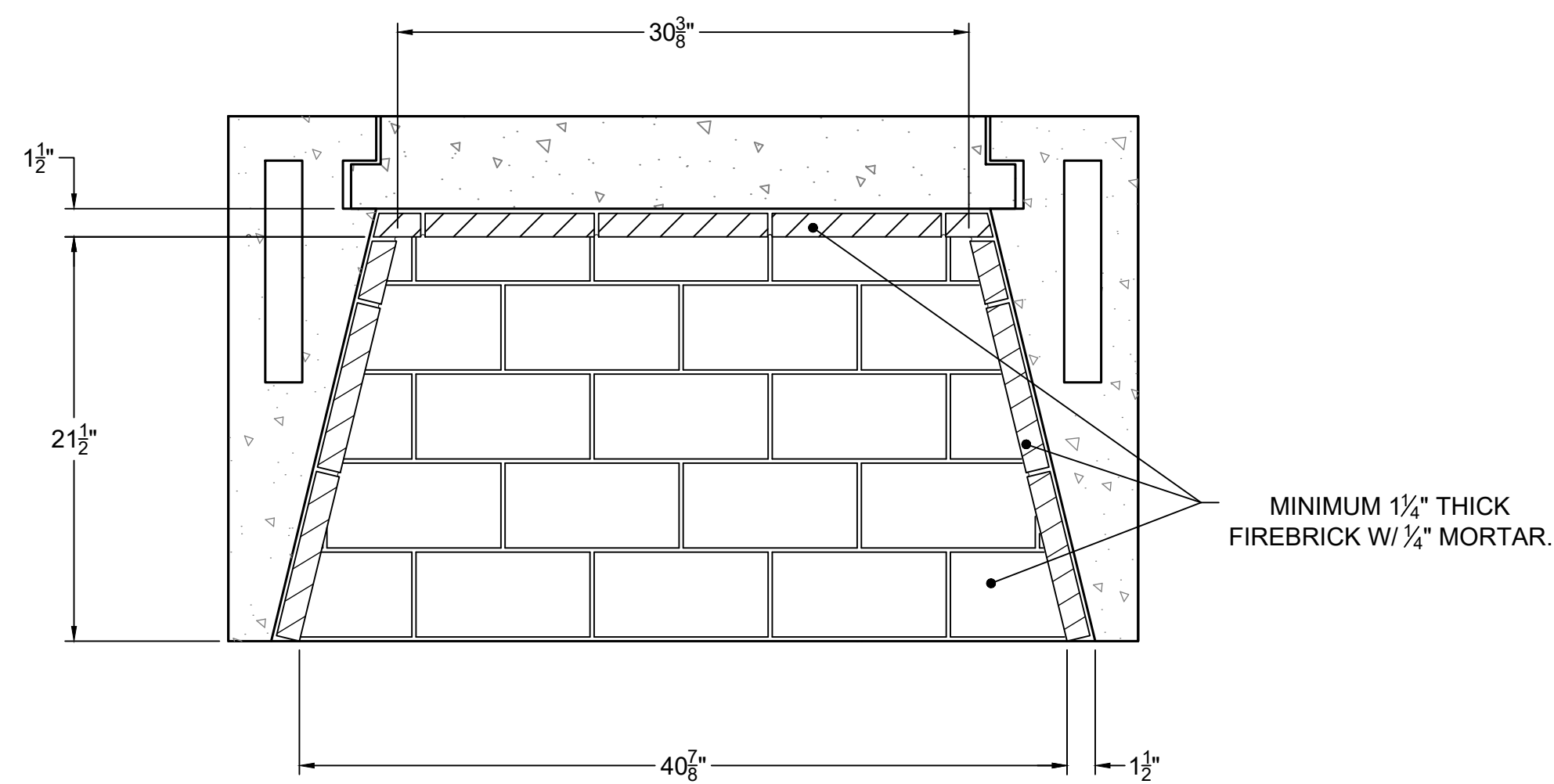
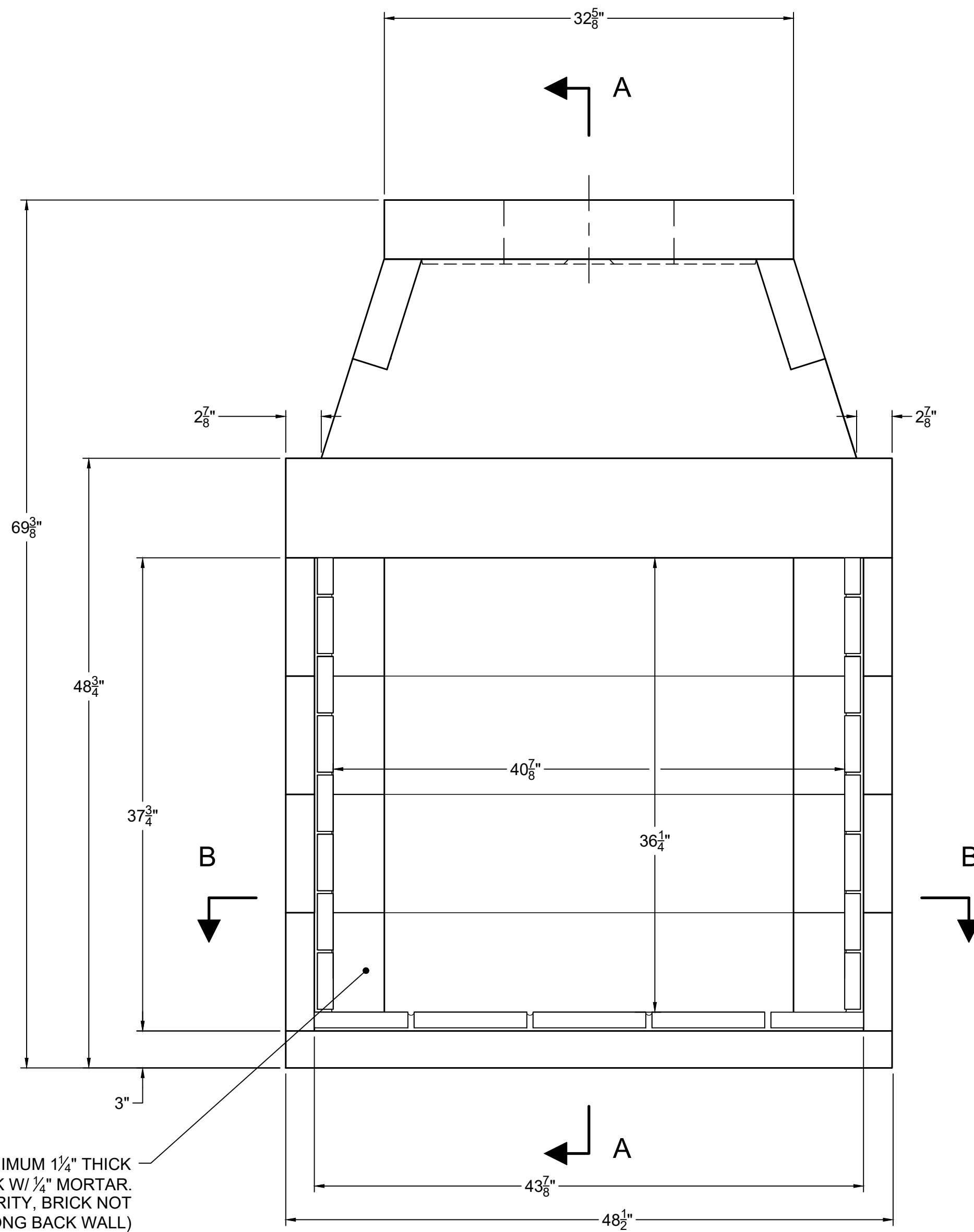


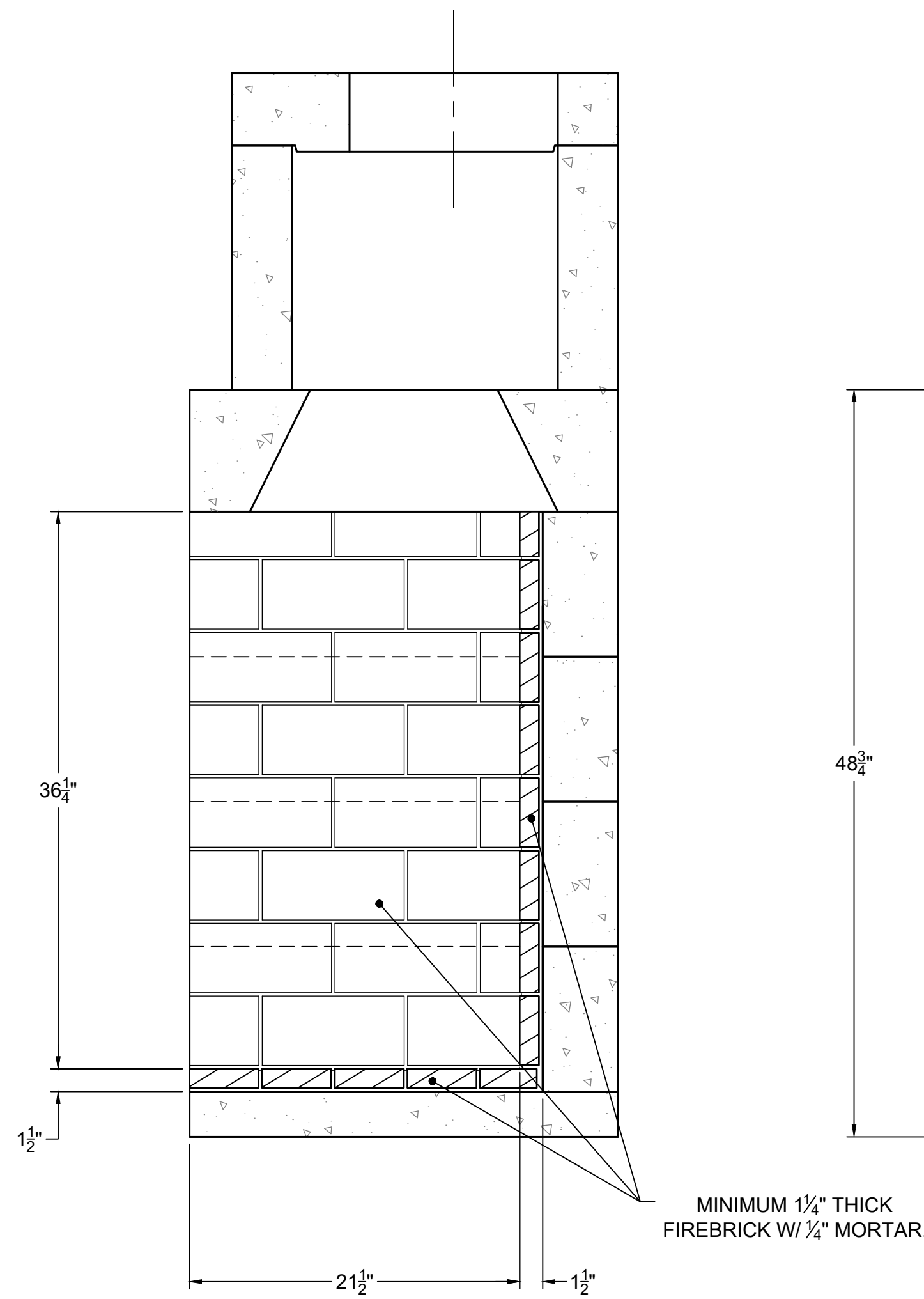
TOP VIEW



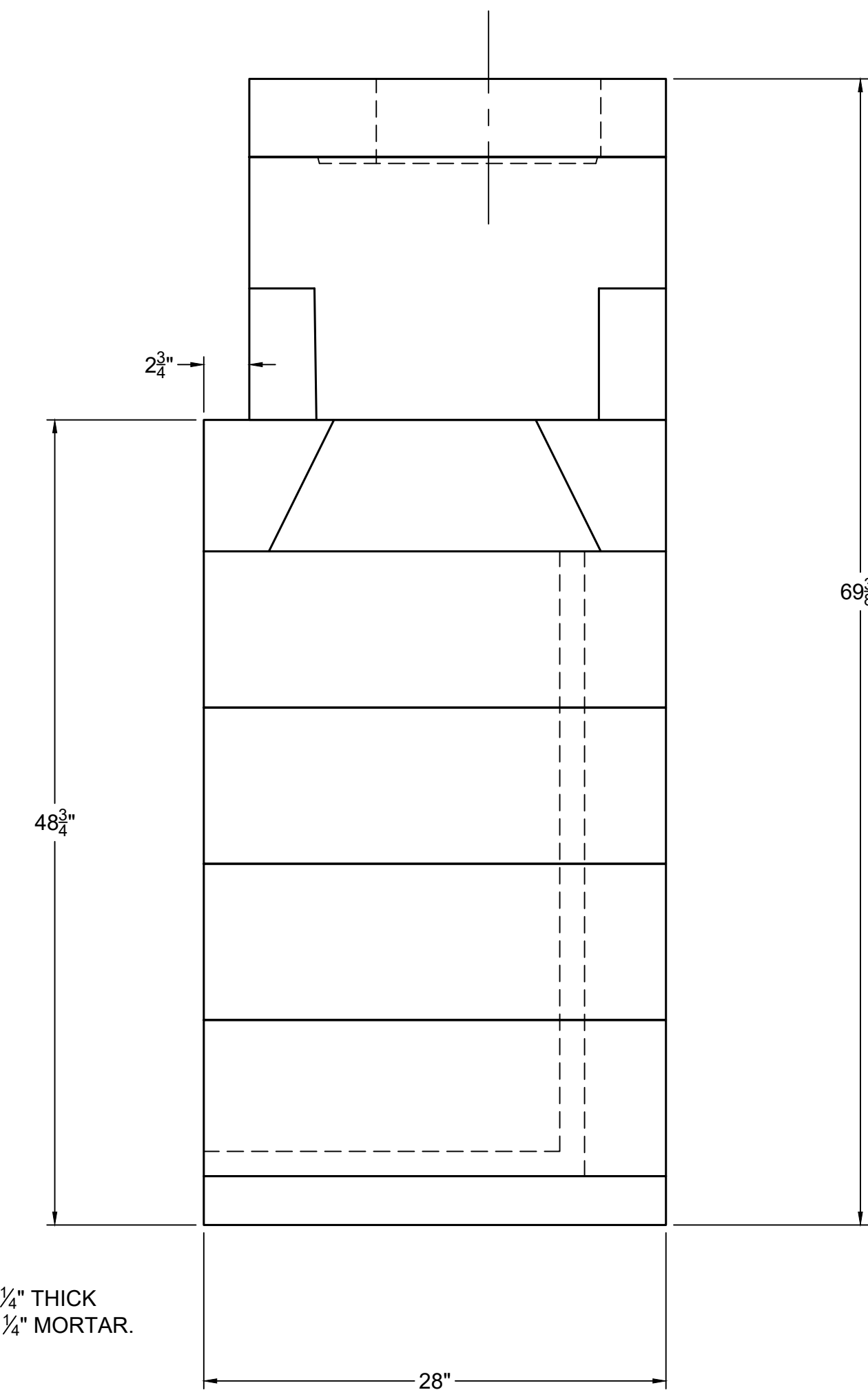
SECTION B-B
HORIZONTAL FIREBRICK DETAIL



FRONT VIEW



SECTION A-A
VERTICAL FIREBRICK DETAIL



RIGHT-SIDE VIEW



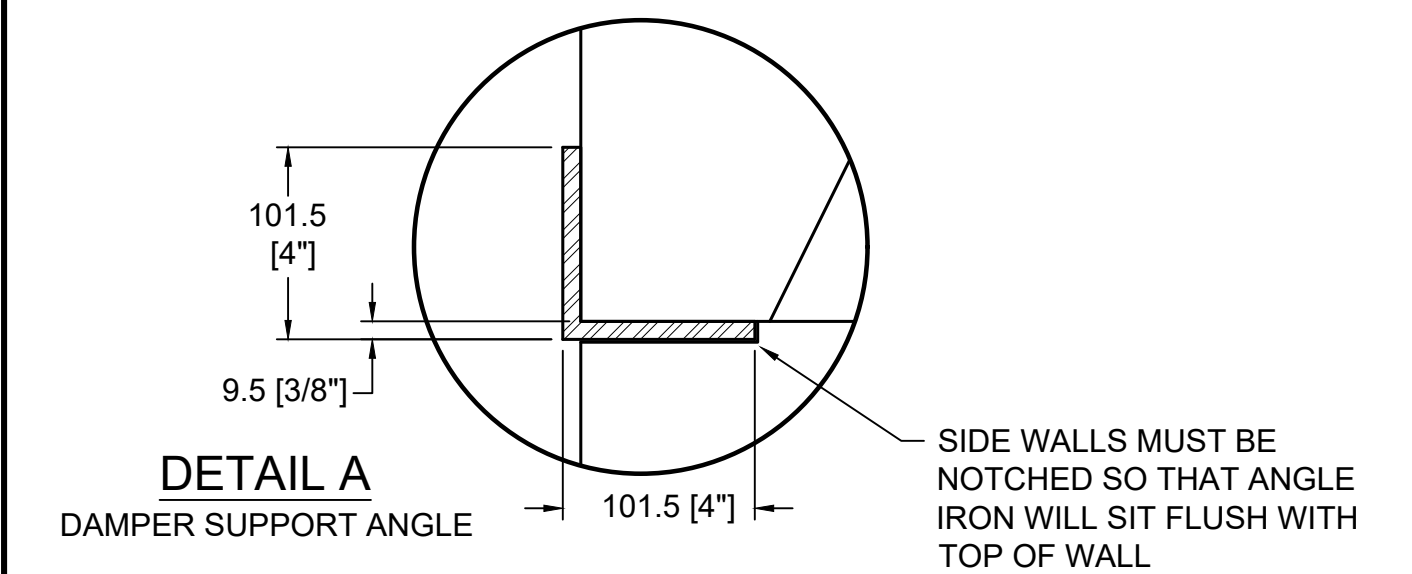
COMPONENT LIST

PART #	DESCRIPTION	QTY.
11	SMOKE DOME (MIDDLE)	2
34	TOP SLOPING	2
M66	BACKWALL 42" (MAG)	4
69	DAMPER BEAM-42"	4
77A	TOP PLATE W/345mm HOLE	1
M90	SIDEWALL (MAG)	8
M92	BASEPLATE-42" (MAG)	1
M94L	MAGNUM DAMPER END, LEFT	1
M94R	MAGNUM DAMPER END, RIGHT	1

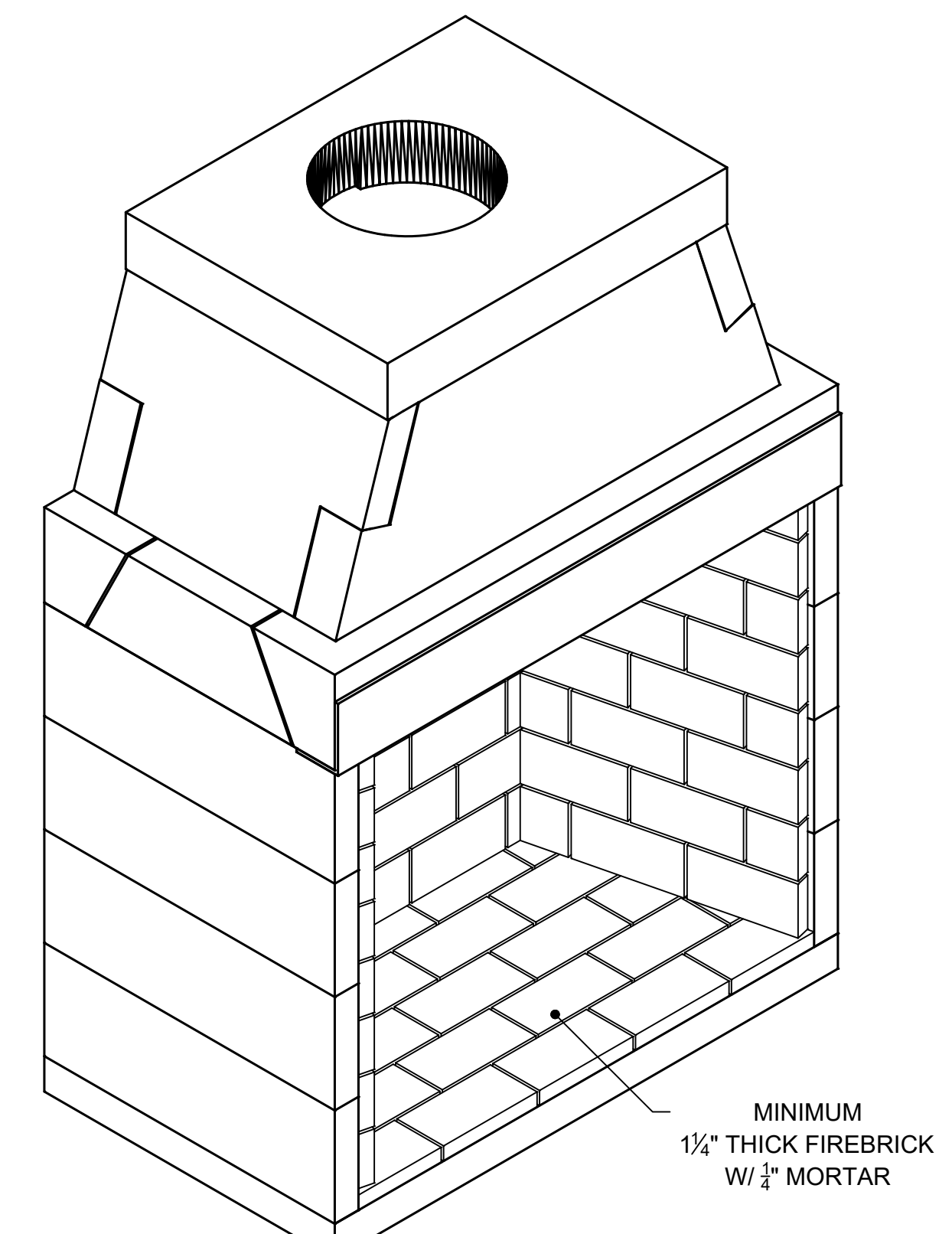
GENERAL NOTES

- FIREPLACE SHALL BE INSTALLED WITH THE MINIMUM CLEARANCES TO COMBUSTIBLES AS LISTED BELOW:
 - UNIT FRONT AND ISOKERN CHIMNEY: 0"
 - SIDES AND REAR: 1"
 - COMBUSTIBLE SHEATHING ABOVE OPENING TOP: 8"
 - SHEATHING OR TRIM TO OPENING SIDES: 8"
 - MANTLE ABOVE OPENING: 14"
 - OPENING TO SIDEWALLS: 20"
 - HEARTH EXTENSION BEYOND FRONT: 20"
 - HEARTH EXTENSION BEYOND SIDES (FINISHED): 12"
 - COMBUSTIBLE FLOOR: 4"
 - INSULATION FROM FIREBOX (UNSHIELDED): 9"
- UNLESS THE FIRELITE KIT IS UTILIZED, THE FIREPLACE AND NONCOMBUSTIBLE HEARTH EXTENSION SHALL REST ATOP A NONCOMBUSTIBLE FLOORING SYSTEM WITH NO WOODEN UNDERPINNINGS.
- IF YOU INSTALL A VENTED GAS LOG SET (DECORATIVE GAS APPLIANCE), THE LOG SET MUST COMPLY WITH THE STANDARD FOR DECORATIVE GAS APPLIANCE FOR INSTALLATION IN SOLID FUEL BURNING FIREPLACES, ANSI Z21.60 OR Z21.84 AND SHALL ALSO BE INSTALLED IN ACCORDANCE WITH THE NATIONAL FUEL GAS CODE, ANSI Z223.1/NFPA 54, LATEST EDITION. IF YOU WISH TO INSTALL AN UNVENTED (VENT-FREE) GAS LOG SET, ONLY UNVENTED GAS LOG SETS WHICH HAVE BEEN FOUND TO COMPLY WITH THE STANDARD FOR UNVENTED ROOM HEATERS, ANSI Z21.11.2 ARE TO BE INSTALLED IN THIS FIREPLACE. CHECK LOCAL CODES FOR COMPLIANCE FOR UNVENTED (VENT FREE) GAS LOG SETS.
- 4" COMBUSTION AIR INLET KITS ARE RECOMMENDED BY EARTH CORE FOR THE STANDARD AND MAGNUM SERIES FIREPLACES AND MAY HELP IMPROVE FIREPLACE OPERATION IN HOMES TIGHTLY SEALED AND WITH OTHER VENTILATING APPLIANCES INSTALLED. IF THE INSTALLATION IS TO BE LONGER THAN TEN FEET (10'), THEN THE SIX INCH (6") ADAPTER WILL BE NEEDED. THIS ADAPTER WILL ATTACH TO THE EXISTING FOUR INCH (4") SLEEVE OUTSIDE OF THE UNIT. THE SIX INCH ADAPTER INCLUDES AN ADDITIONAL TWENTY FEET OF 6" FLEX HOSE, FOR A MAXIMUM RUN OF THIRTY FEET (30').
- DRAWINGS ARE FOR DESIGN PURPOSES ONLY AND ARE THE SOLE PROPERTY OF EARTH CORE INDUSTRIES. ANY REPRODUCTION OR UNAUTHORIZED USE IS STRICTLY PROHIBITED.
- EARTH CORE/ ISOKERN OR ANY DIVISION THEREOF SHALL NOT BE HELD LIABLE FOR ANY INCIDENTAL OR CONSEQUENTIAL DAMAGES OR EXPENSES ARISING OUT OF THE USE OF THE FIREPLACES OR CHIMNEY SYSTEMS.
- ALWAYS CHECK LOCAL BUILDING CODES GOVERNING FIREPLACES AND FIREPLACE INSTALLATIONS.

DETAILS (N.T.S)



ISOMETRIC VIEW (N.T.S)



NOTE: WHENEVER THE MAXIMUM DM CHIMNEY HEIGHT OF 57' IS EXCEEDED, OR IN ANY INSTANCE WHERE THE ISOKERN BRICK LEDGE IS USED, IT IS REQUIRED THAT THE FIREBOX/SMOKE DOME ASSEMBLY INCLUDE THE PLACEMENT OF A 4" BY 4" BY 3/8" MINIMUM STEEL ANGLE ACROSS THE FIREBOX OPENING. (SEE DETAIL A)

UNSPECIFIED TOLERANCES		THIRD ANGLE PROJECTION	DESCRIPTION: FIREPLACE CONSTRUCTION DOCUMENT	
ANG.	X ±		PROJECT: 42" MAGNUM	
LIN.	X ±		MATERIAL: E.C. PUMICE MIXTURE	
X	±		DRAWN: K.B.H. DATE: 5/1/2020	
XX	±		APPROVED: DATE:	
SIZE: SCALE: DRAWING #: 82042			REV: B	
DO NOT SCALE SHEET # 1 OF 1				