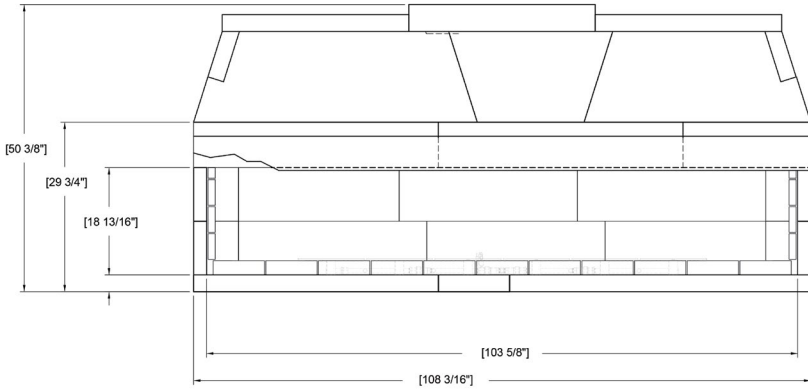
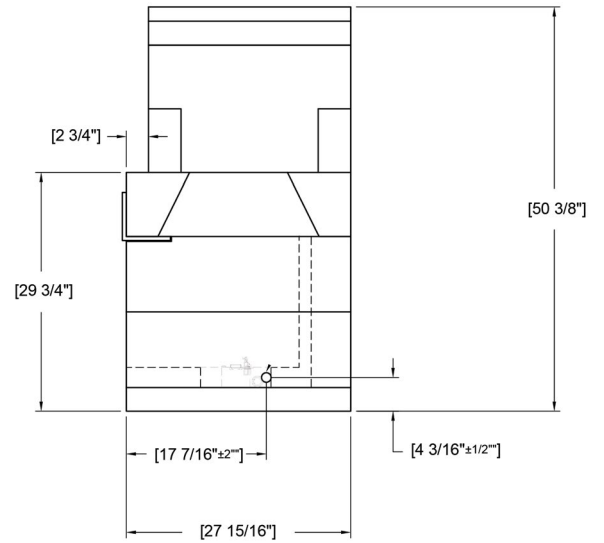


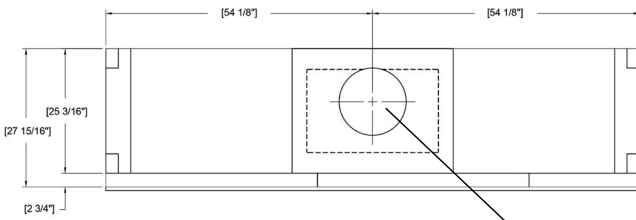
Project Name: _____ Location: _____



Front View

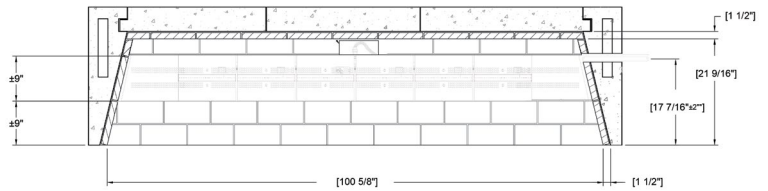


Side View



Top View

Uses Isokern DM 54 Chimney or 14" Metal Chimney Pipe. Refer to product manual for approved Metal Chimney manufacturers.



Plan View

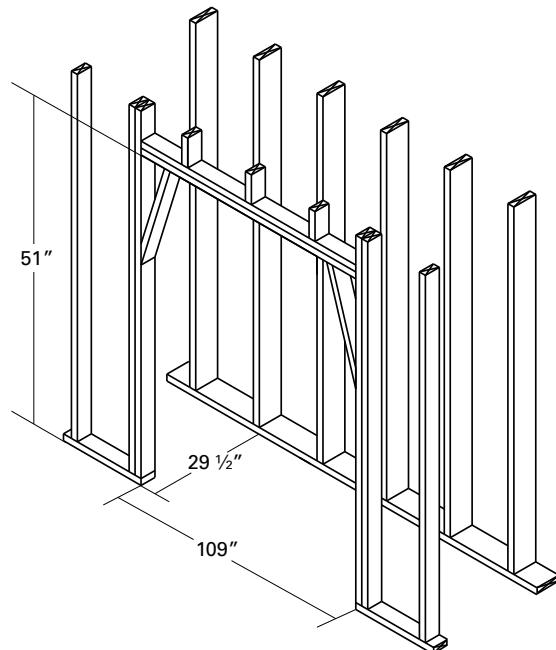
FIREPLACE OPTIONS

- Hearth Height: _____
- Fire-Lite Stand: _____
- Brick Type: _____
- Brick Color: _____
- Brick Pattern: _____
- Damper: _____
- Chimney Type: _____
- Offset: _____
- Other Options: _____
- Spark Arrestor/Termination: _____
- Enervex RSHT Chimney Fan: _____
- Decorative Termination: _____
- Gas Log Set: _____
- Wood Grate: _____

Notes: _____

MINIMUM FRAMING DIMENSIONS

Framing dimensions maintain 1 1/2" clearance to combustibles. Refer to product manual for further installation instructions.



The total weight for the Magnum 28" fireplace is approximately 1040 lbs. This dry weight includes fireplace pumice components only, additional weight from mortar, damper, firebrick and chimney not included.