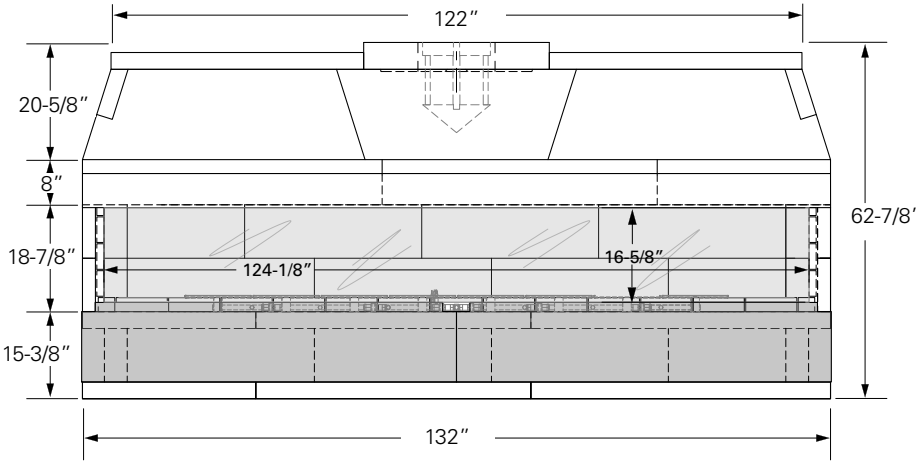


# Isokern 120" Maximus+ Linear Fireplace

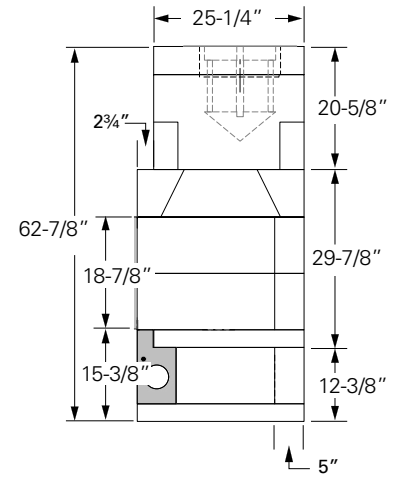


6899 Phillips Industrial Blvd. • Jacksonville, FL 32256

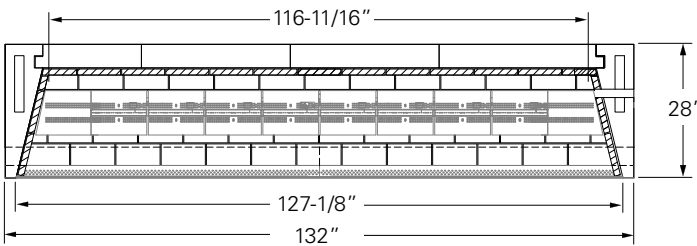
Project Name: \_\_\_\_\_ Location: \_\_\_\_\_



**Front View**

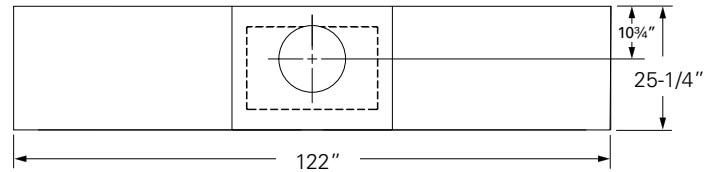


**Side View**



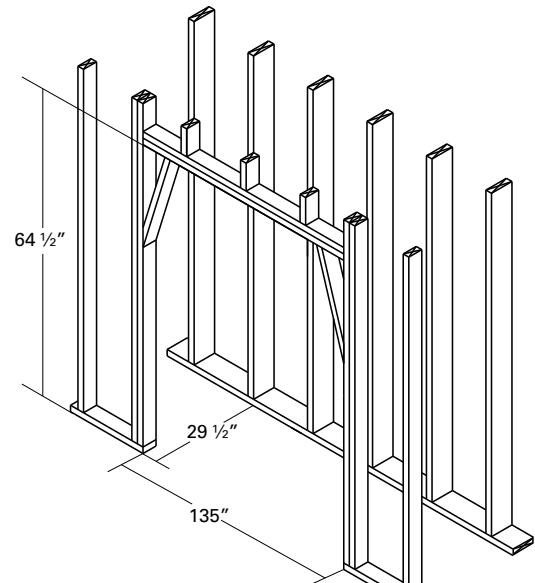
**Plan View**

Uses one 12" B-Vent Chimney with mechanical exhaust fan. Refer to product manual for approved Metal Chimney manufacturers.



**Top View**

## MINIMUM FRAMING DIMENSIONS



Framing dimensions maintain 1 1/2" clearance to combustibles. Refer to product manual for further installation instructions.

### FIREPLACE OPTIONS

- Hearth Height: \_\_\_\_\_
- Brick Type: \_\_\_\_\_
- Brick Color: \_\_\_\_\_
- Brick Pattern: \_\_\_\_\_
- Other Options: \_\_\_\_\_
- Gas Log Set: \_\_\_\_\_

Notes: \_\_\_\_\_  
 \_\_\_\_\_  
 \_\_\_\_\_  
 \_\_\_\_\_

The total weight for the Maximus+ 120" linear fireplace with glass front is approximately XXXX lbs. This dry weight includes fireplace pumice components only, additional weight from mortar, mechanical exhaust fan, glass media, firebrick and chimney not included.