

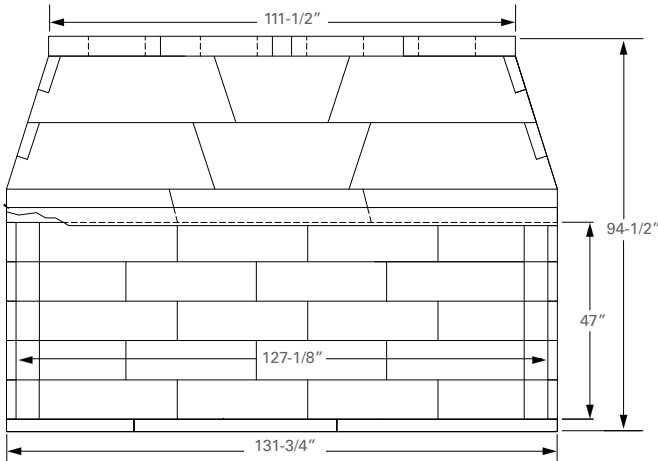
Isokern Magnum Ξ 120" Fireplace



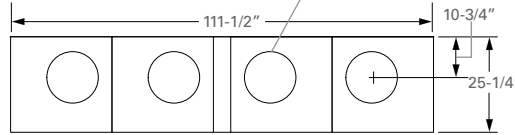
6899 Phillips Industrial Blvd. • Jacksonville, FL 32256

Project Name: _____ **Location:** _____

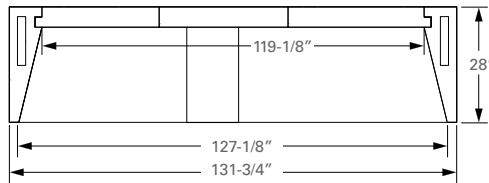
Uses four 13" Metal Chimney Pipe.
Refer to product manual for approved
Metal Chimney manufacturers.



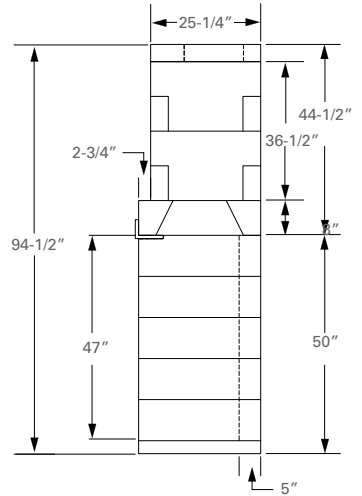
Front View



Top View



Plan View



Side View

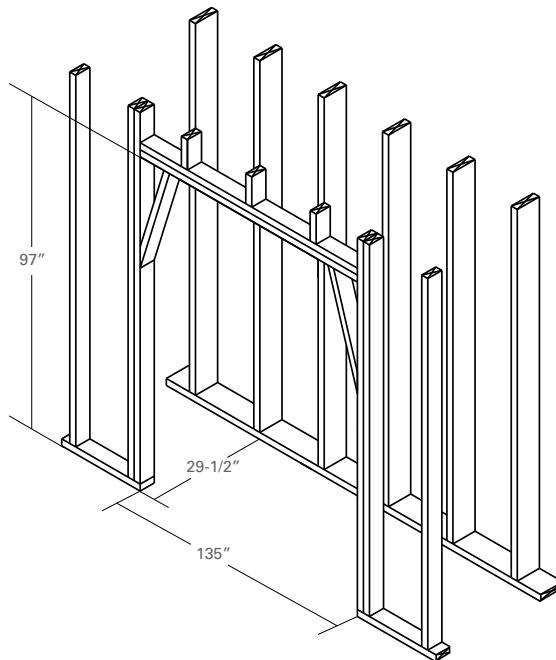
FIREPLACE OPTIONS

- Hearth Height: _____
- Brick Type: _____
- Brick Color: _____
- Brick Pattern: _____
- Damper: _____
- Chimney Type: _____
- Offset: _____
- Other Options: _____
- Spark Arrestor/Termination: _____
- Energex RSHT Chimney Fan: _____
- Decorative Termination: _____
- Gas Log Set: _____
- Wood Grate: _____

Notes: _____

MINIMUM FRAMING DIMENSIONS

Framing dimensions maintain 1 1/2" clearance to combustibles. Refer to product manual for further installation instructions.



The total weight for the Magnum Ξ 120" fireplace is approximately 4265 lbs. This dry weight includes fireplace pumice components only, additional weight from mortar, firebrick and chimney not included.