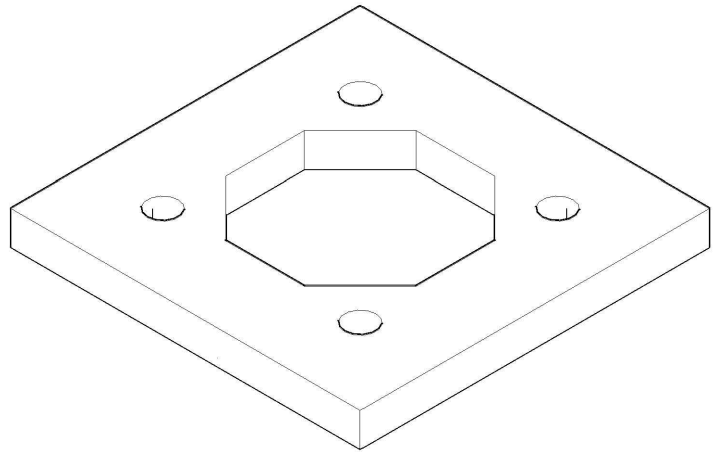


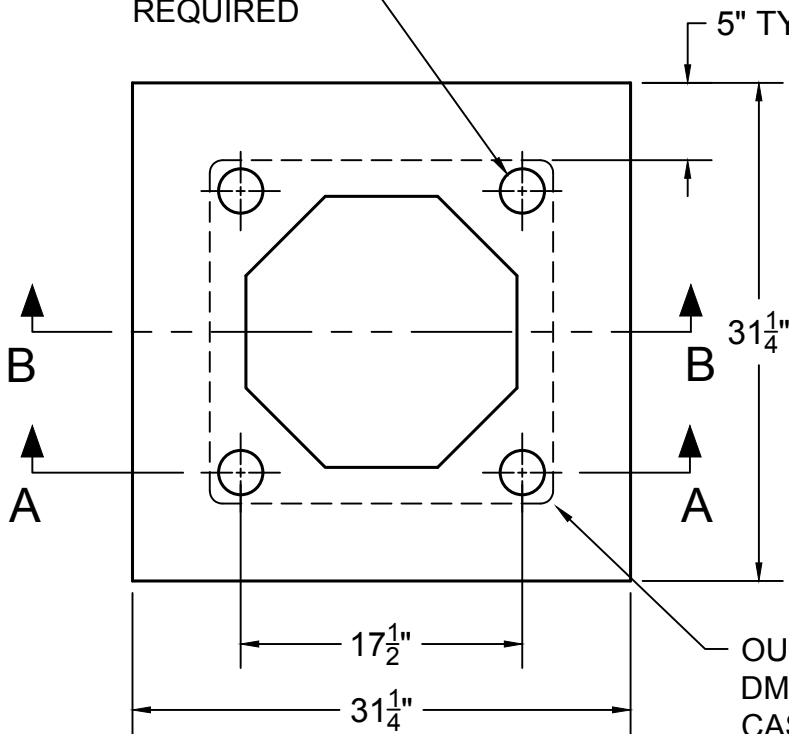
ELEVATION VIEW



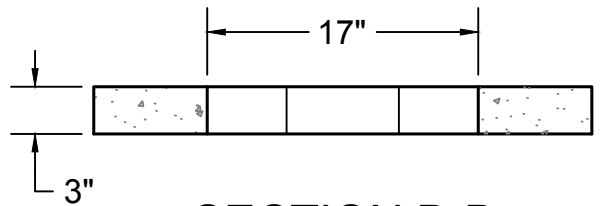
ISOMETRIC VIEW

SCALE: N.T.S

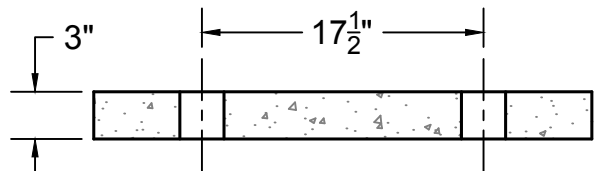
HOLES FOR REBAR
AND GROUT IF
REQUIRED



PLAN VIEW



SECTION B-B



SECTION A-A

OUTLINE OF
DM54 OUTER
CASING
BENEATH

earthcore
INDUSTRIES, L.L.C.

6899 Phillips Industrial Blvd.
Jacksonville, Fl. 32256

UNLESS OTHERWISE STATED, ALL DIMENSIONS ARE IN INCHES		PROJECT: DM54 BRICK LEDGE	
UNSPECIFIED TOLERANCES		THIRD ANGLE PROJECTION	
ANG.	.X ±		
LIN.	.X ±		
	.XX ±		
	.XXX ±		
		DESCRIPTION: COMPONENT DRAWING	
		MATERIAL: E.C. PUMICE MIXTURE	
		REV: 1	
		DRAWN: K.B.H	DATE: 3/9/2018
		APPROVED: SOE	DATE: X/XX/XX
		SIZE: A	SCALE: 1"=1'-0"
		DRAWING #: S40111	
		DO NOT SCALE	
		SHEET # 1 OF 1	