

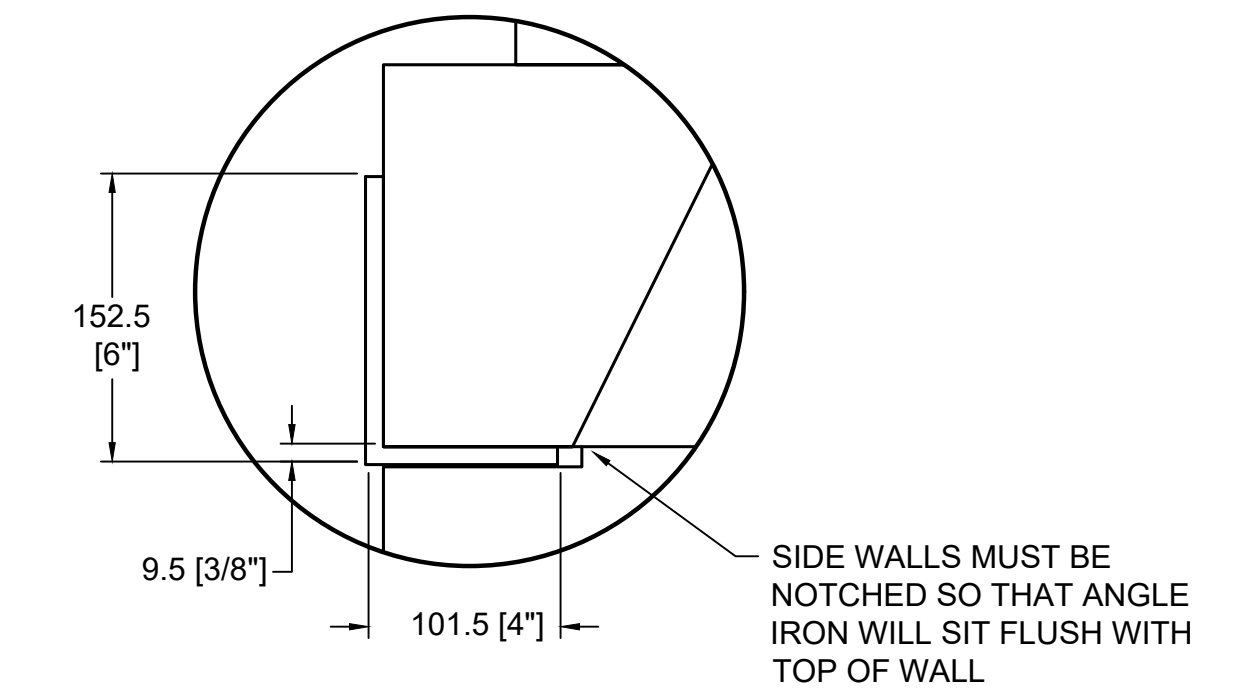
**COMPONENT LIST**

PART #	DESCRIPTION	QTY.
16	SMOKE DOME LARGE 60"/70" MAG	4
18	SMOKE DOME LARGE 72" MAG	2
19	SMOKE DOME 72" MAG	2
34	TOP SLOPING	4
72	BACKWALL-60"/72" MAG	4
73	BACKWALL-72" MAG	4
83	DAMPER BEAM 72" MAG	2
84	DAMPER BEAM 72" MAG	2
77A	TOP PLATE W/345mm HOLE	2
M90	SIDEWALL MAG	8
M91	BASEPLATE-36" MAG	2
M94L/R	DAMPER END L/R MAG	2(1 EACH)
100	4"x6"x $\frac{3}{8}$ " ANGLE IRON; NOT SUPPLIED	1

**GENERAL NOTES**

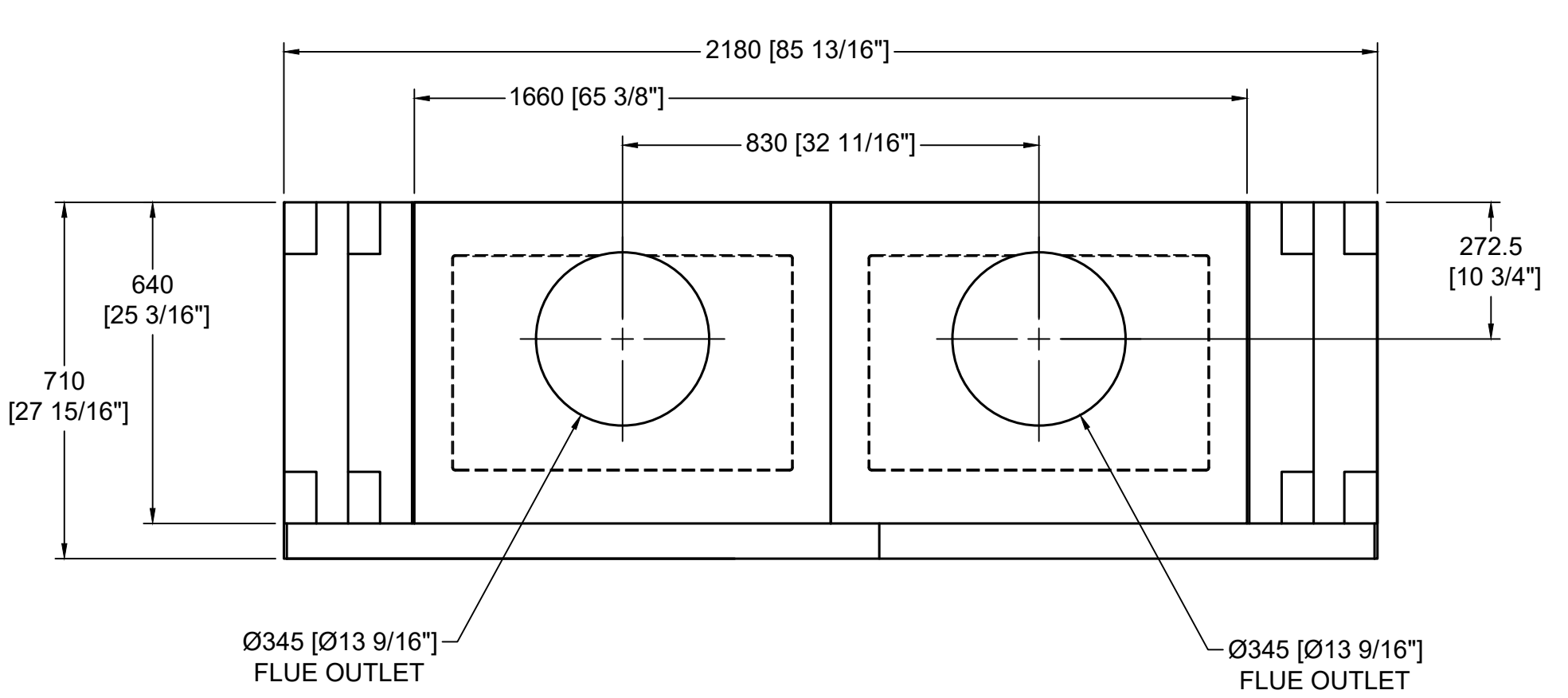
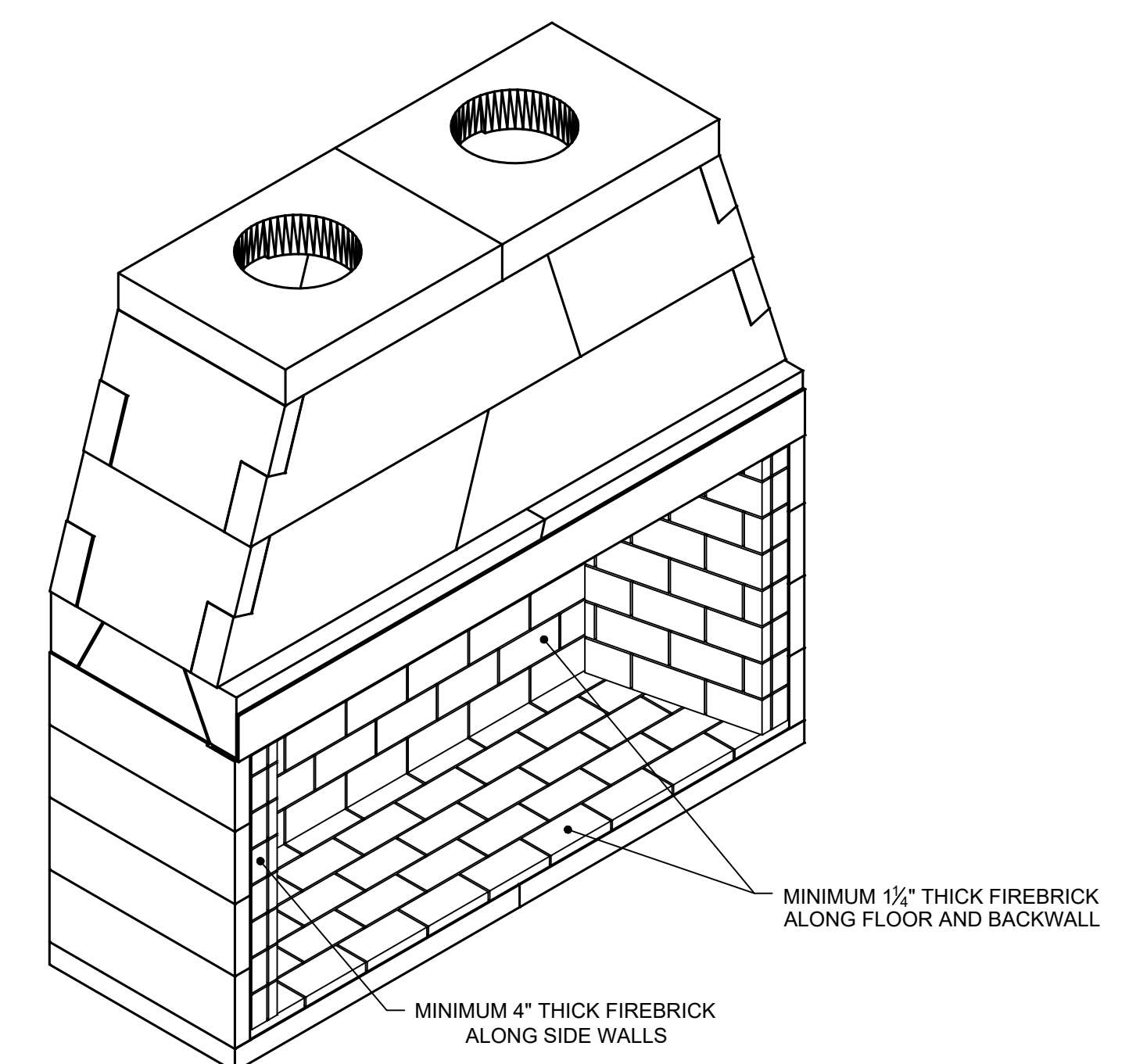
- DRAWINGS ARE FOR DESIGN PURPOSES ONLY AND ARE THE SOLE PROPERTY OF EARTHCORE INDUSTRIES. ANY REPRODUCTION OR UNAUTHORIZED USE IS STRICTLY PROHIBITED.
- EARTHCORE/ ISOKERN OR ANY DIVISION THEREOF SHALL NOT BE HELD LIABLE FOR ANY INCIDENTAL OR CONSEQUENTIAL DAMAGES OR EXPENSES ARISING OUT OF THE USE OF THE FIREPLACES OR CHIMNEY SYSTEMS.
- ALWAYS CHECK LOCAL BUILDING CODES GOVERNING FIREPLACES AND FIREPLACE INSTALLATIONS. MECHANICAL VENTILATION ASSISTANCE MAY BE REQUIRED FOR THIS DESIGN.
- TWO (2) 4" COMBUSTION AIR INLET KITS ARE REQUIRED BY EARTHCORE AND MAY HELP IMPROVE FIREPLACE OPERATION IN HOMES TIGHTLY SEALED AND WITH OTHER VENTILATING APPLIANCES INSTALLED. IF THE INSTALLATION IS TO BE LONGER THAN TEN FEET (10'), THEN THE SIX INCH (6") ADAPTER WILL BE NEEDED. THIS ADAPTER WILL ATTACH TO THE EXISTING FOUR INCH (4") SLEEVE OUTSIDE OF THE UNIT. THE SIX INCH ADAPTER INCLUDES AN ADDITIONAL TWENTY FEET OF 6" FLEX HOSE, FOR A MAXIMUM RUN OF THIRTY FEET (30').
- MECHANICAL VENTILATION ASSISTANCE MAY BE REQUIRED WITH THIS DESIGN

**DETAILS (N.T.S)**

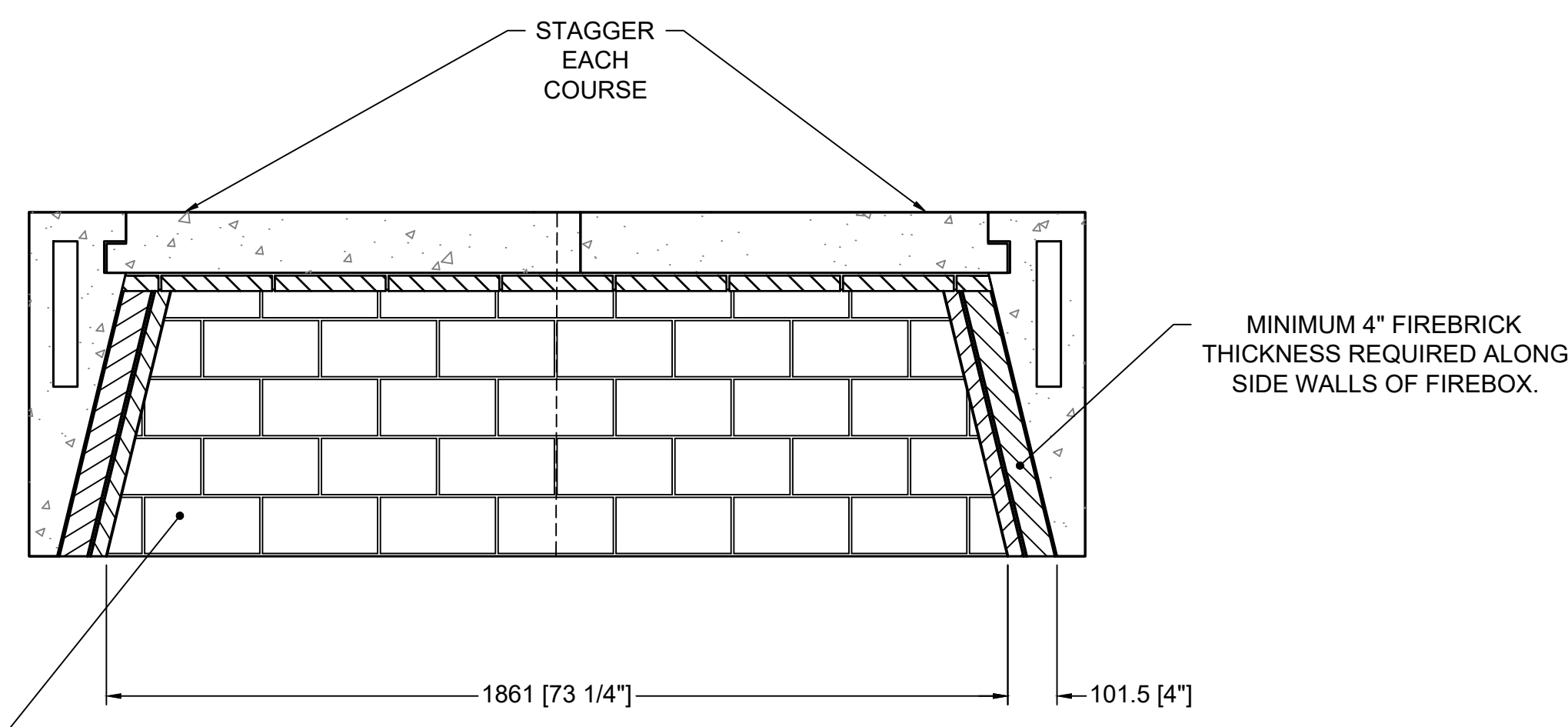


**DETAIL A**  
DAMPER SUPPORT ANGLE

**ISOMETRIC VIEW (N.T.S)**



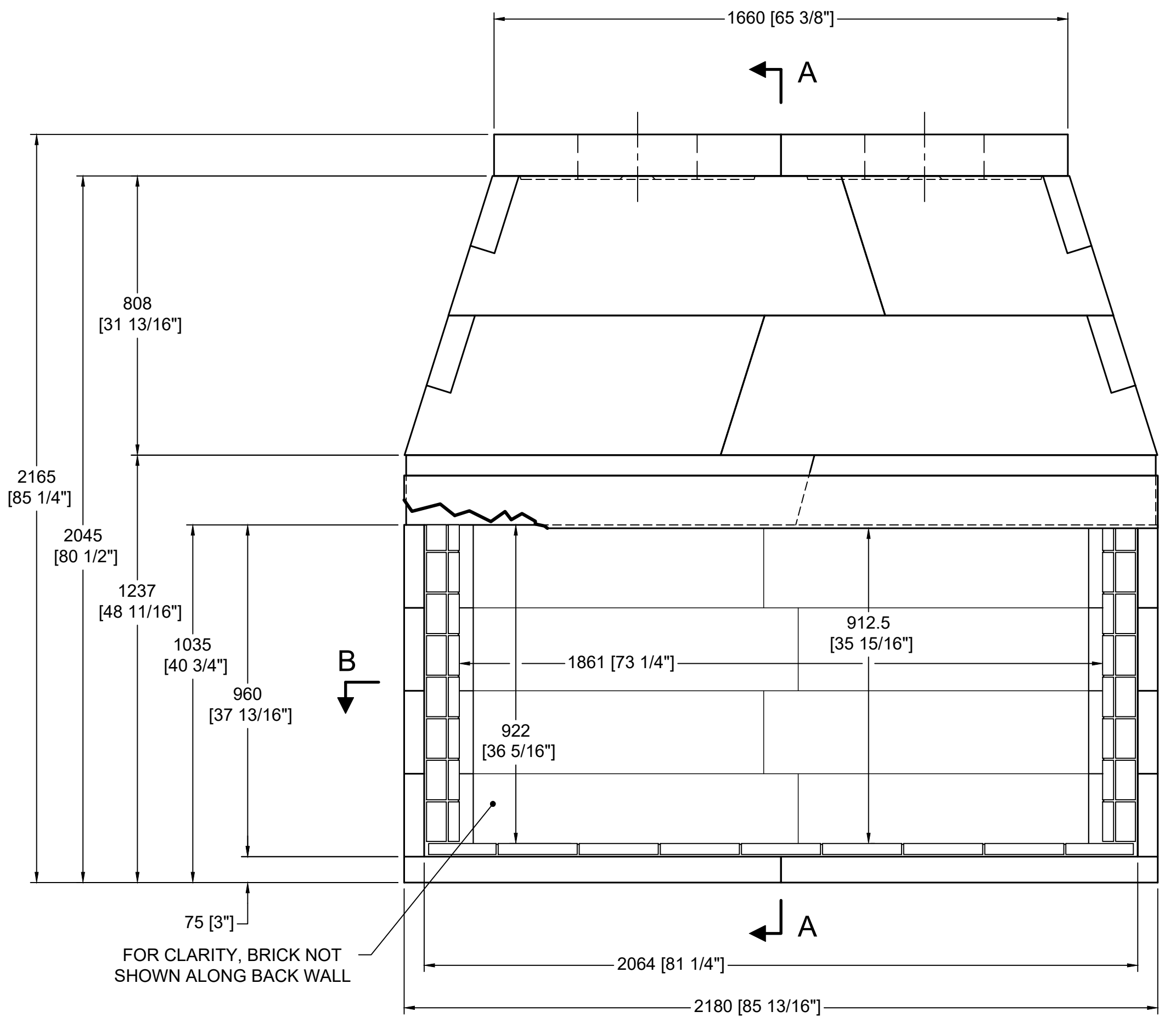
**TOP VIEW**



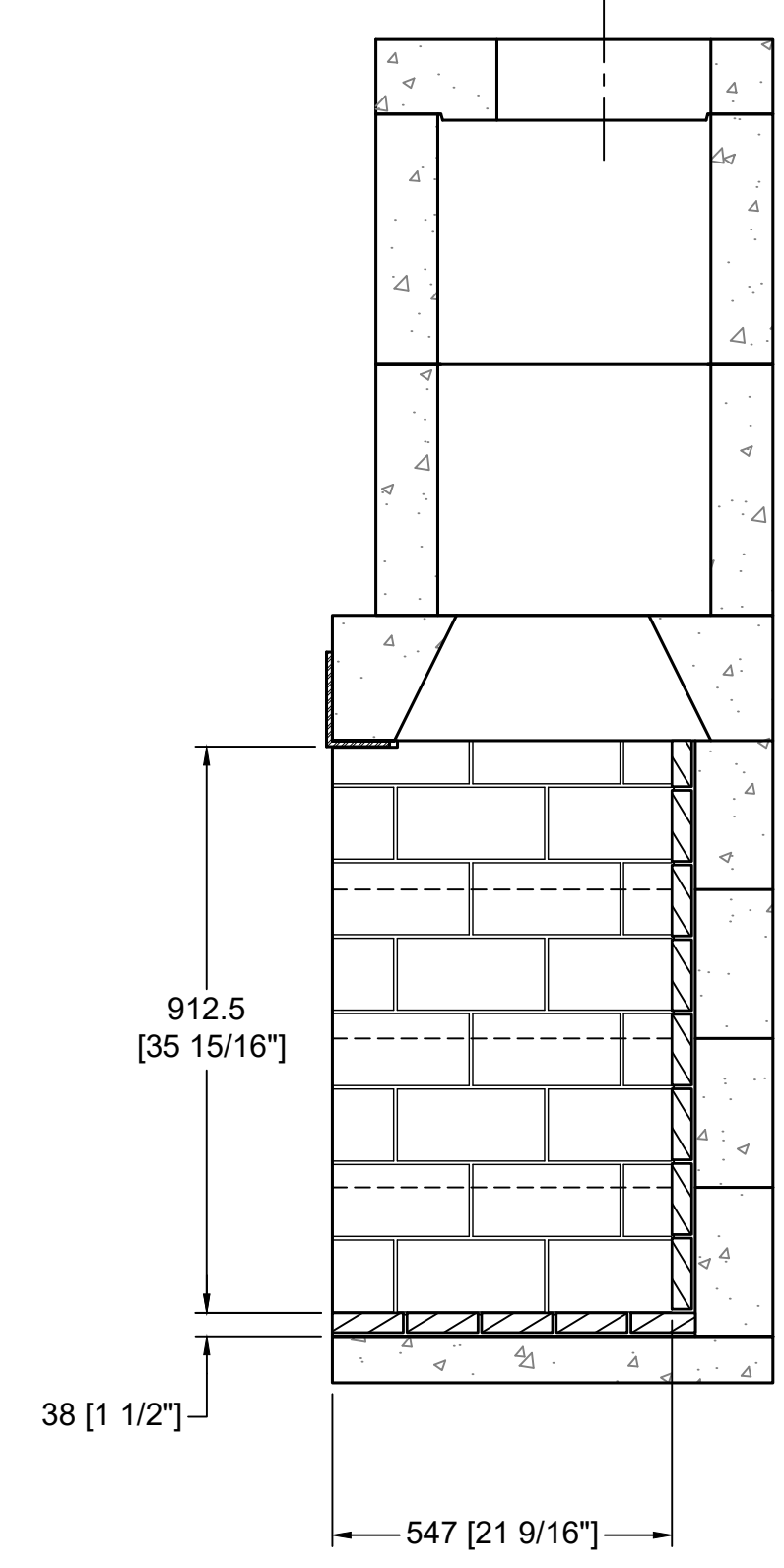
**SECTION B-B**  
HORIZONTAL FIREBRICK SECTION

MINIMUM 1/4" THICK FIREBRICK REQUIRED ALONG FLOOR AND BACK WALLS OF FIREBOX.

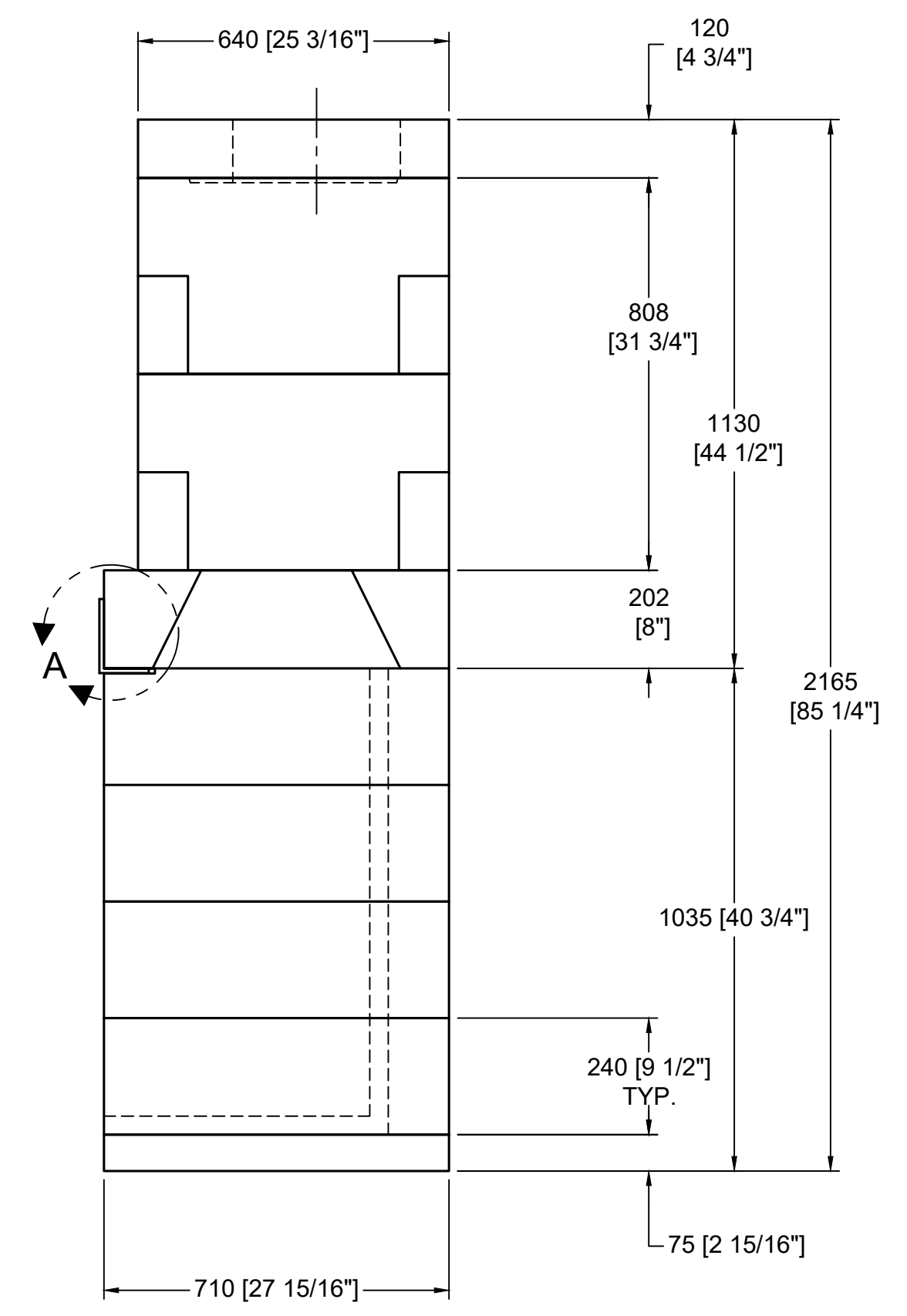
MINIMUM 4" FIREBRICK THICKNESS REQUIRED ALONG SIDE WALLS OF FIREBOX.



**FRONT VIEW**



**SECTION A-A**  
VERTICAL FIREBRICK DETAIL



**RIGHT-SIDE VIEW**

	UNLESS OTHERWISE STATED, ALL DIMENSIONS ARE IN MILLIMETERS		PROJECT: <b>72" MAGNUM</b>		
	THIRD ANGLE PROJECTION	DESCRIPTION: <b>FIREPLACE CONSTRUCTION DOCUMENT</b>	MATERIAL: <b>E.C. PUMICE MIXTURE</b>		
ANG. X ±	DATE: <b>5/20/2019</b>	SIZE: <b>D</b>	SCALE: <b>1"=1'-0"</b>	DRAWING #: <b>82672</b>	REV: <b>B</b>
LIN. X ±	DRAWN: <b>K.B.H.</b>	APPROVED:	DATE:	DO NOT SCALE	SHEET # <b>1</b> OF <b>1</b>
X ±	6899 Philips Industrial Blvd, Jacksonville, FL 32256				
XX ±					