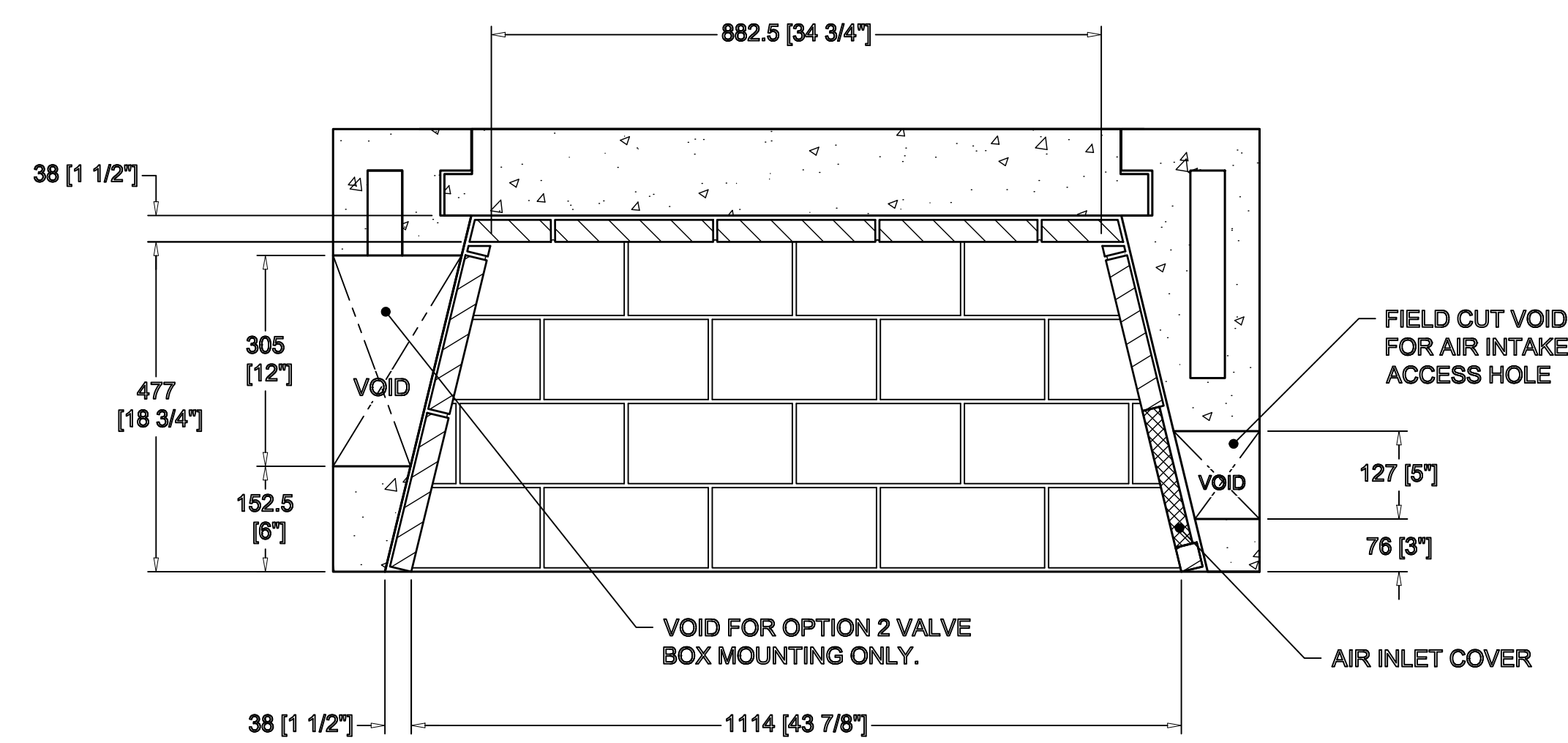
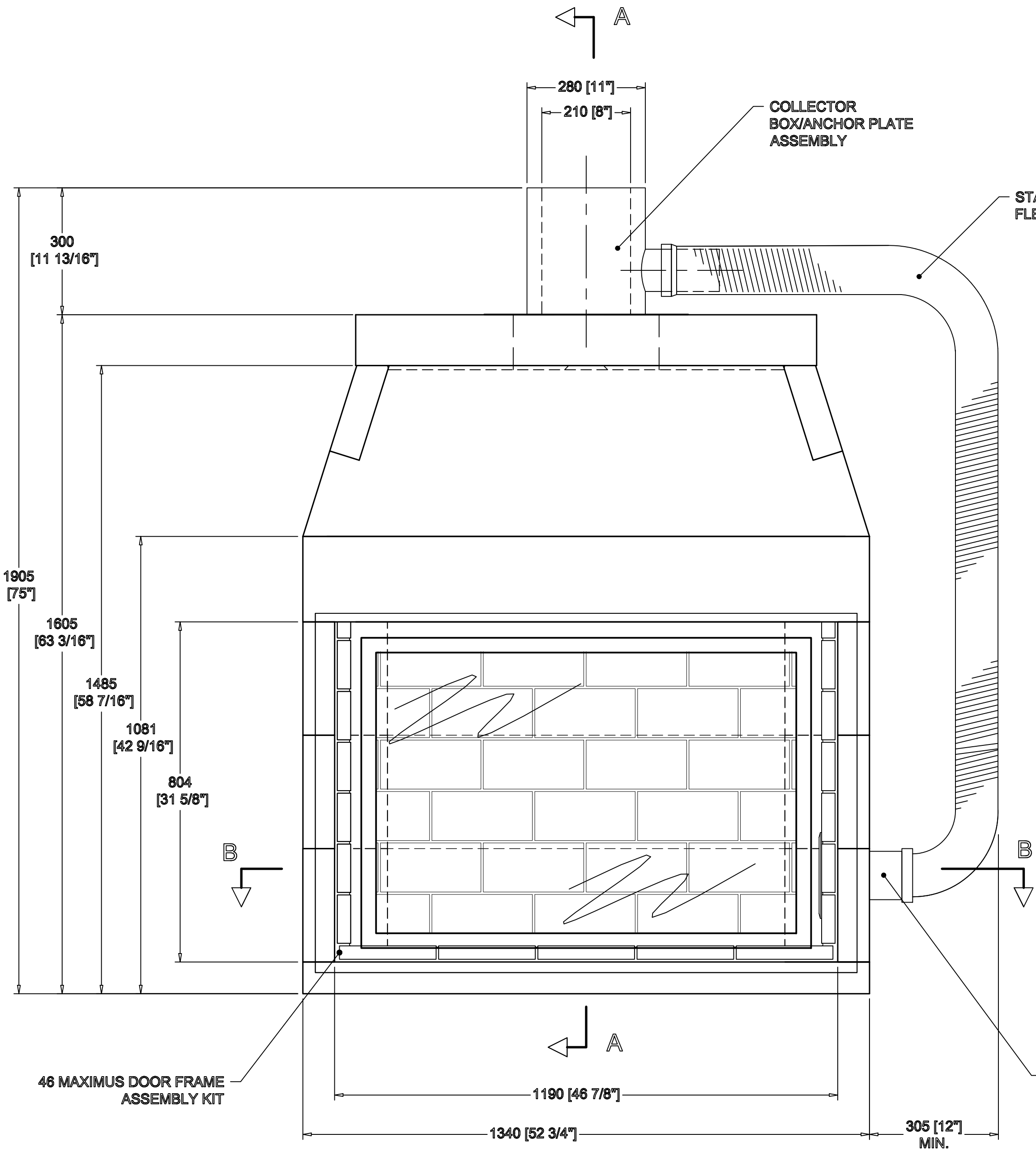


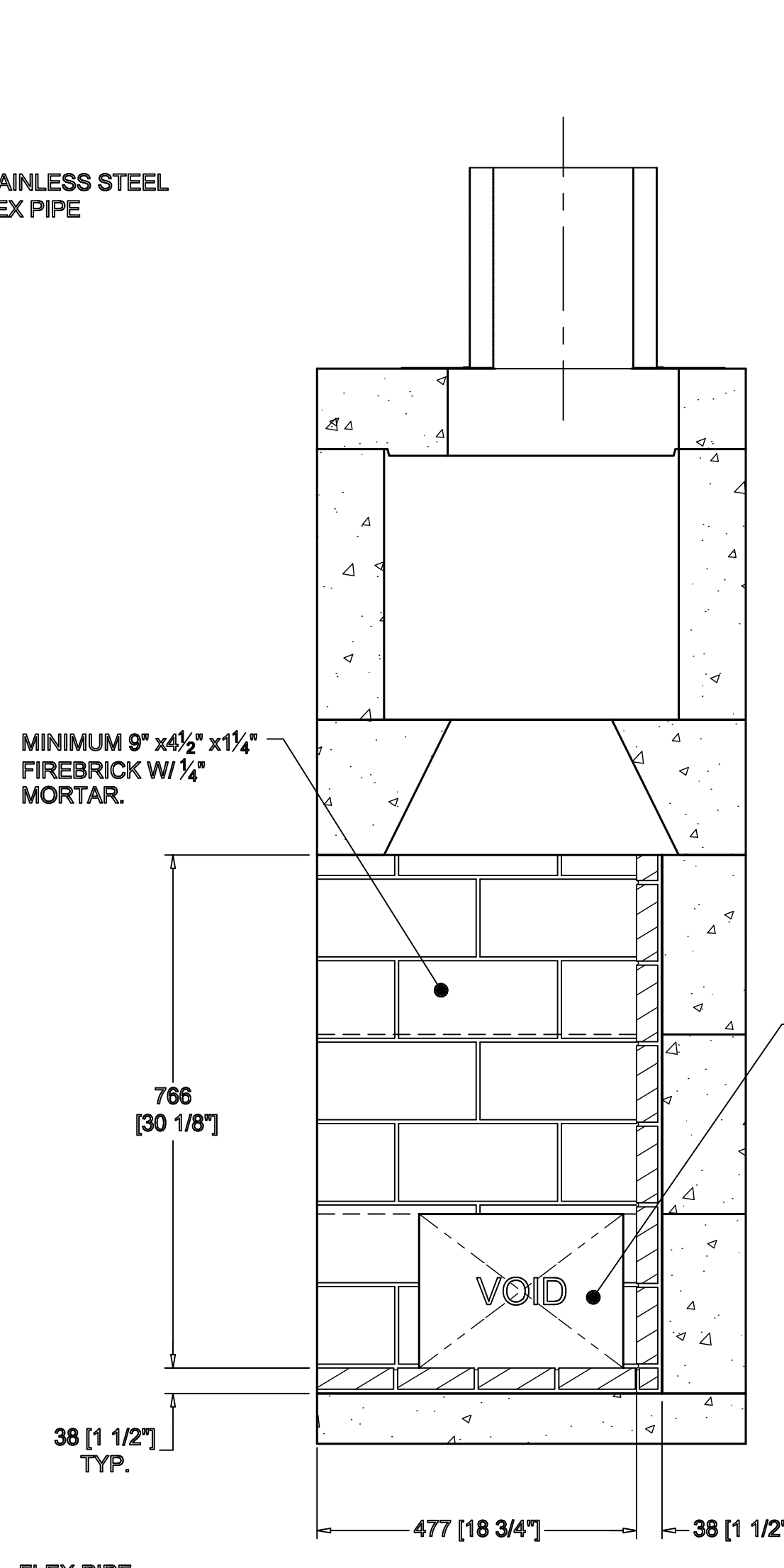
TOP VIEW



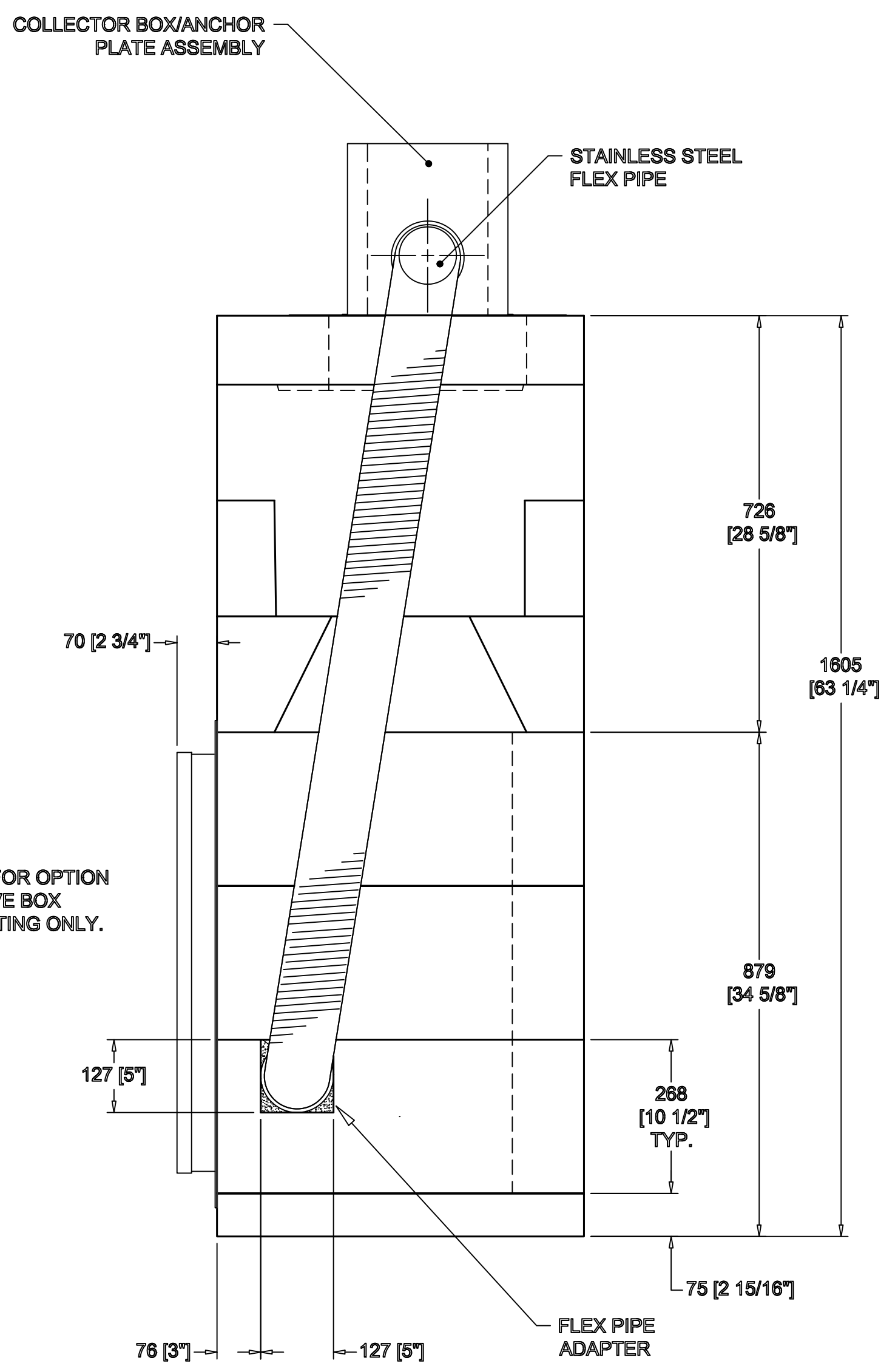
SECTION B-B  
HORIZONTAL FIREBRICK DETAIL  
(DOOR FRAME ASSEMBLY REMOVED IN VIEW)



FRONT VIEW



SECTION A-A  
VERTICAL FIREBRICK DETAIL  
(DOOR FRAME ASSEMBLY REMOVED IN VIEW)



RIGHT-SIDE VIEW

COMPONENT LIST		
PART #	DESCRIPTION	QTY.
13	SMOKE DOME (LARGE)	2
20	SIDEWALL	6
23	BASEPLATE-46" (STD)	1
31	BACKWALL-46" (STD)	3
34	TOP SLOPING	2
70	DAMPER BEAM-46"	2
81A	TOP PLATE W/345mm HOLE (MAG)	1
95L/R	DAMPER END L/R (STD)	1 EACH

ADDITIONAL COMPONENTS

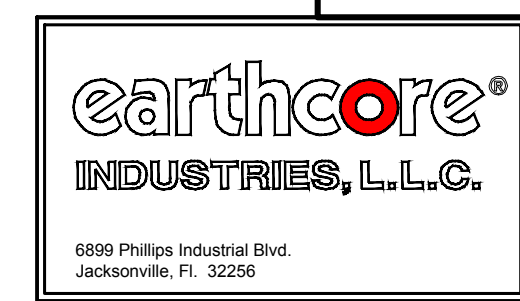
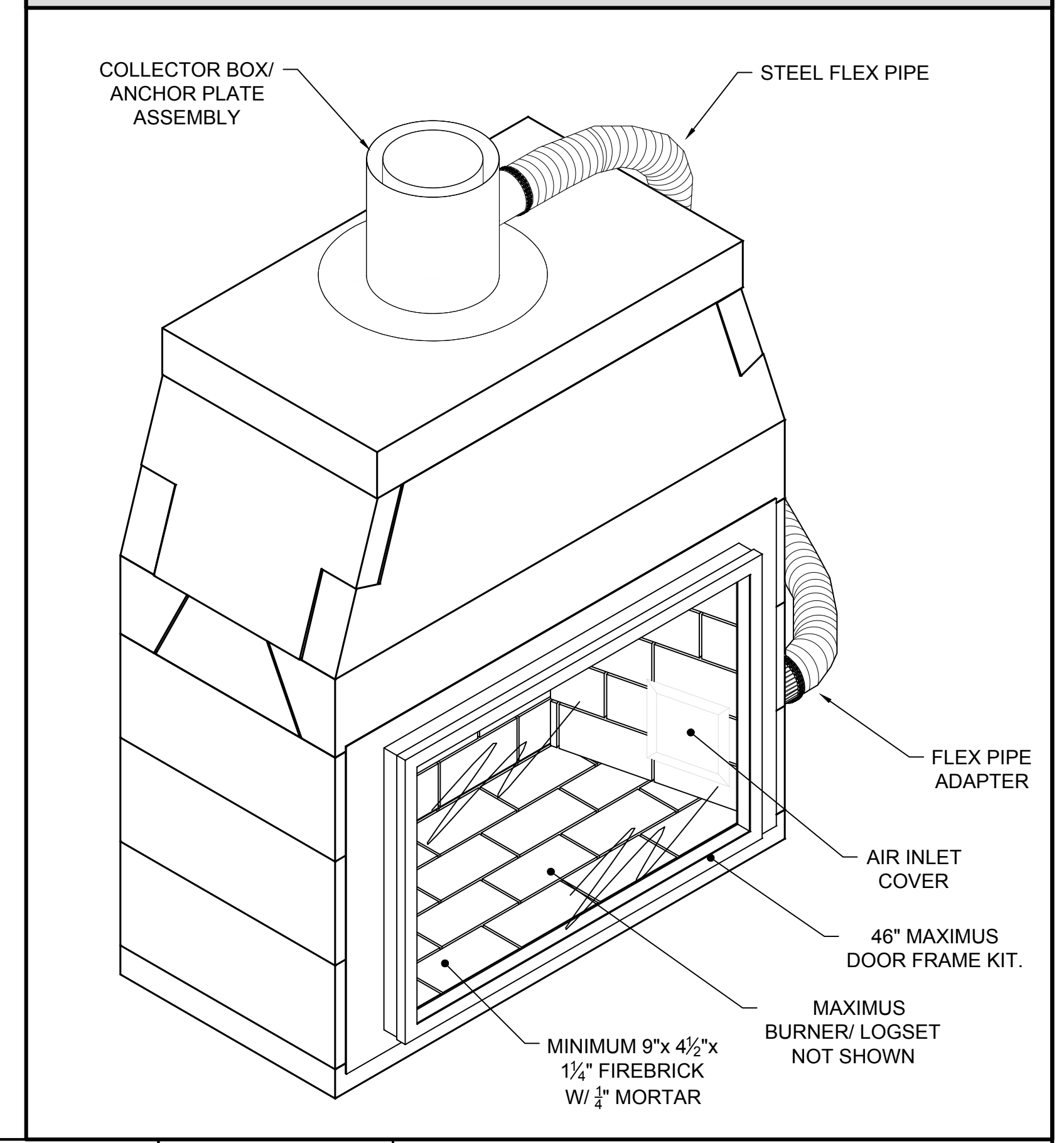
THE MAXIMUS DIRECT VENT GAS FIREPLACE ALSO INCLUDES THE FOLLOWING COMPONENTS THAT ARE EITHER NOT SHOWN OR SHOWN ONLY FOR REPRESENTATION IN THIS DRAWING:

- |  |   |
|--|---|
| <ul style="list-style-type: none"> <li>DOOR SYSTEM           <ul style="list-style-type: none"> <li>• DOOR FRAME</li> <li>• GLASS FRAME</li> <li>• GLASS</li> <li>• GASKET</li> <li>• SEALANT</li> <li>• BARRIER WITH MAGNETS</li> <li>• BARRIER TRIM</li> </ul> </li> </ul> | <ul style="list-style-type: none"> <li>CONTROL AND BURNER SYSTEM           <ul style="list-style-type: none"> <li>• PILOT</li> <li>• MODULE</li> <li>• WIRE HARNESS POWERWIRE HARNESS CONTROL</li> <li>• WIRE HARNESS BATTERY BOX</li> <li>• GAS ORIFICE PAN</li> <li>• GAS ORIFICE REAR</li> <li>• BATTERY PACK</li> <li>• AC ADAPTER</li> <li>• PROFLAME REMOTE</li> <li>• GAS CONNECTOR</li> <li>• BURNER ASSEMBLY</li> <li>• LOG SET</li> </ul> </li> </ul> |
|--|---|

GENERAL NOTES

- THE MAXIMUS DIRECT VENT MODELS ARE DIRECT-VENT, GAS ONLY FIREPLACES THAT ARE LISTED FOR USE ONLY WITH THE APPROVED GAS LOG BURNER ASSEMBLY AND LOG SET OPTIONS LISTED IN THEIR INSTALLATION MANUALS.
- THIS APPLIANCE IS ONLY FOR USE WITH THE TYPE OF GAS INDICATED ON THE RATING PLATE AND MAY BE INSTALLED IN THE AFTER-MARKET, PERMANENTLY LOCATED, MANUFACTURED HOME (USA ONLY) OR MOBILE HOME, WHERE NOT PROHIBITED BY LOCAL CODES. SEE OWNER'S MANUAL FOR DETAILS.
- THIS APPLIANCE IS NOT CONVERTIBLE FOR USE WITH OTHER GASES, UNLESS A CERTIFIED KIT IS USED.
- DO NOT OPERATE THE APPLIANCE WITH BARRIER/GLASS REMOVED, CRACKED OR BROKEN. REPLACEMENT OF PANEL SHOULD BE DONE BY A LICENSED OR QUALIFIED SERVICE PERSON.
- FIREPLACE SHALL BE INSTALLED WITH THE MINIMUM CLEARANCES TO COMBUSTIBLES AS LISTED BELOW:
  - UNIT FRONT: 0"
  - SIDES AND REAR: 1.5"
  - COMBUSTIBLE SHEATHING ABOVE OPENING TOP: 8"
  - SHEATHING OR TRIM TO OPENING SIDES: 8"
  - MANTLE ABOVE OPENING: 12"
  - INSULATION FROM FIREBOX (UNSHIELDED): 3"
- ADDITIONAL CLEARANCE OF 12" MAY BE REQUIRED FROM SIDE WALL WHERE AIR INTAKE FLEX TUBE IS LOCATED. FLEX TUBE IS LISTED AT ZERO (0") CLEARANCE TO COMBUSTIBLE FRAMING AND CAN BE ROUTED THROUGH FRAMING IF REQUIRED.
- DRAWINGS ARE FOR DESIGN PURPOSES ONLY AND ARE THE SOLE PROPERTY OF EARTHCORE INDUSTRIES. ANY REPRODUCTION OR UNAUTHORIZED USE IS STRICTLY PROHIBITED.
- EARTHCORE/ ISOKERN OR ANY DIVISION THEREOF SHALL NOT BE HELD LIABLE FOR ANY INCIDENTAL OR CONSEQUENTIAL DAMAGES OR EXPENSES ARISING OUT OF THE USE OF THE FIREPLACES OR CHIMNEY SYSTEMS.
- ALWAYS CHECK LOCAL BUILDING CODES GOVERNING FIREPLACES AND FIREPLACE INSTALLATIONS.
- REFER TO OWNERS MANUAL FOR PROPER INSTALLATION AND OPERATION PROCEDURES

ISOMETRIC VIEW (N.T.S)



UNLESS OTHERWISE STATED, ALL DIMENSIONS ARE IN MILLIMETERS		PROJECT: 46" MAXIMUS (80D46)	
UNSPECIFIED TOLERANCES	THIRD ANGLE PROJECTION	DESCRIPTION: FIREPLACE CONSTRUCTION DOCUMENT	
ANG. X ±		MATERIAL: E.C. PLUMICE MIXTURE	
LIN. X ±		DRAWN: K.B.H.	DATE: 10/10/2018
X ±		APPROVED:	DATE:
XX ±		SCALE: 1-1/2"=1'-0"	
6699 Phillips Industrial Blvd, Jacksonville, FL 32256		SIZE: D	DRAWING #: 80D46
		DO NOT SCALE	SHEET # 1 OF 1