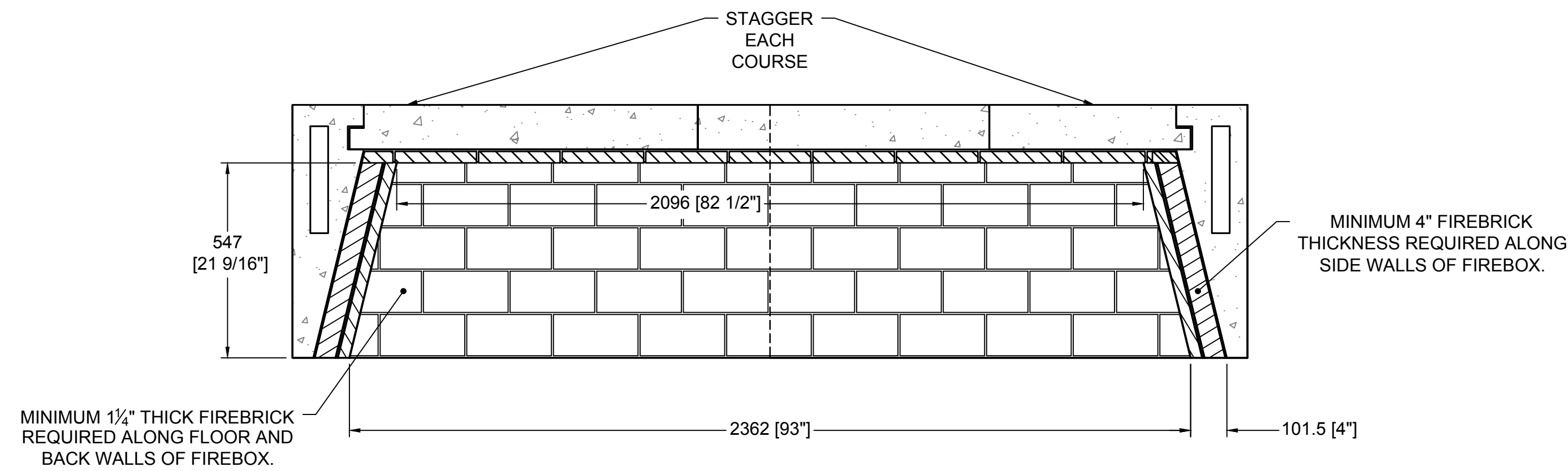
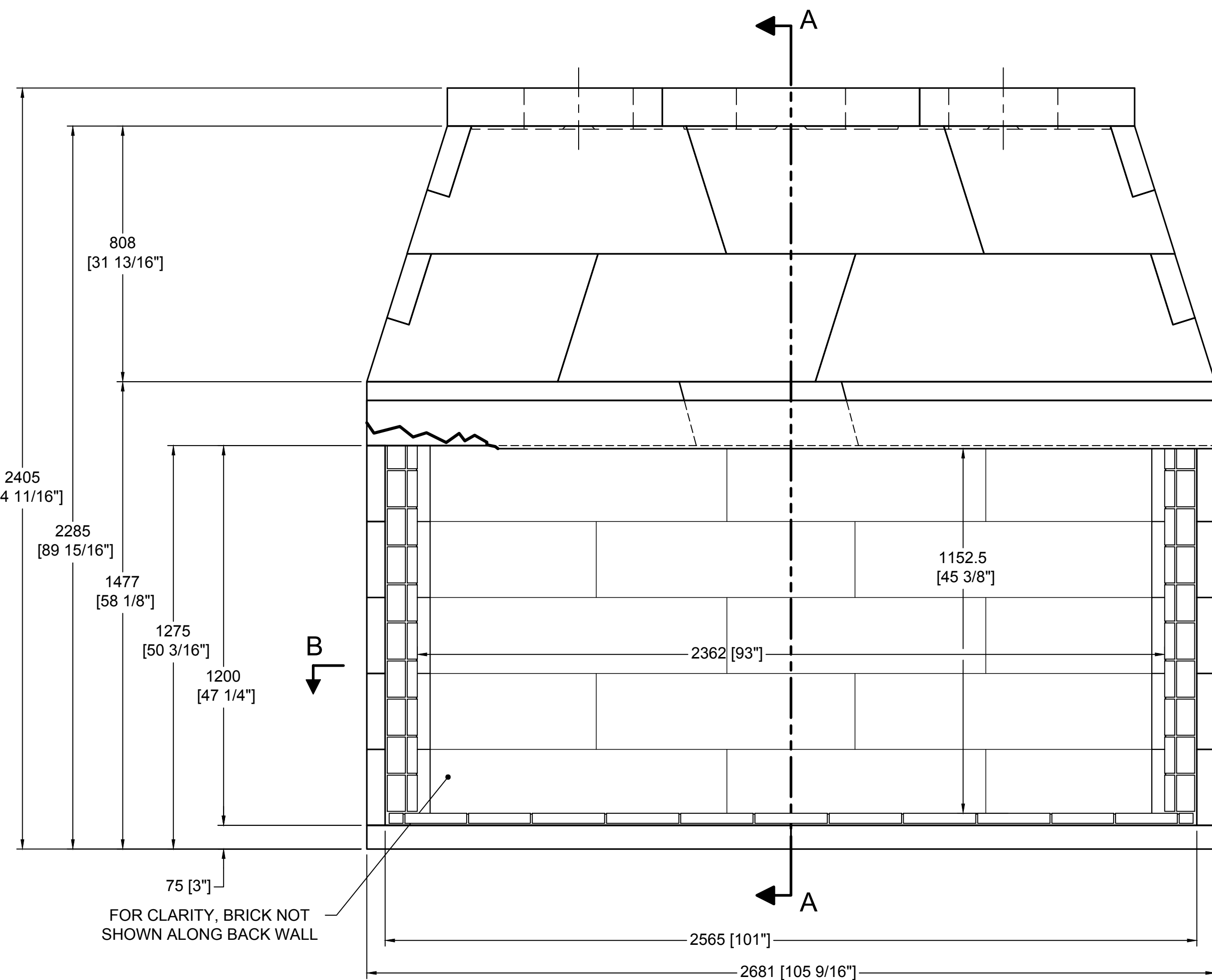


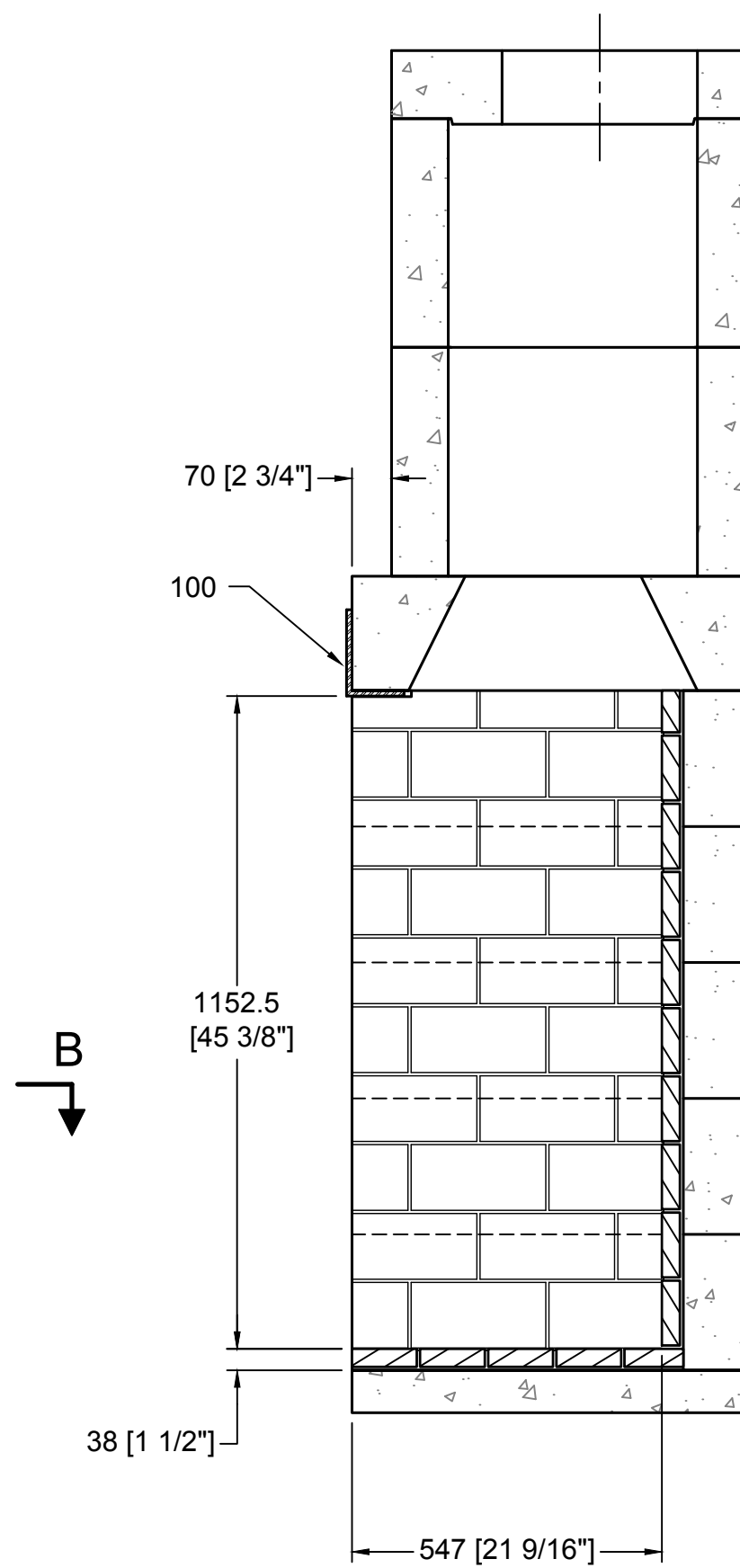
TOP VIEW



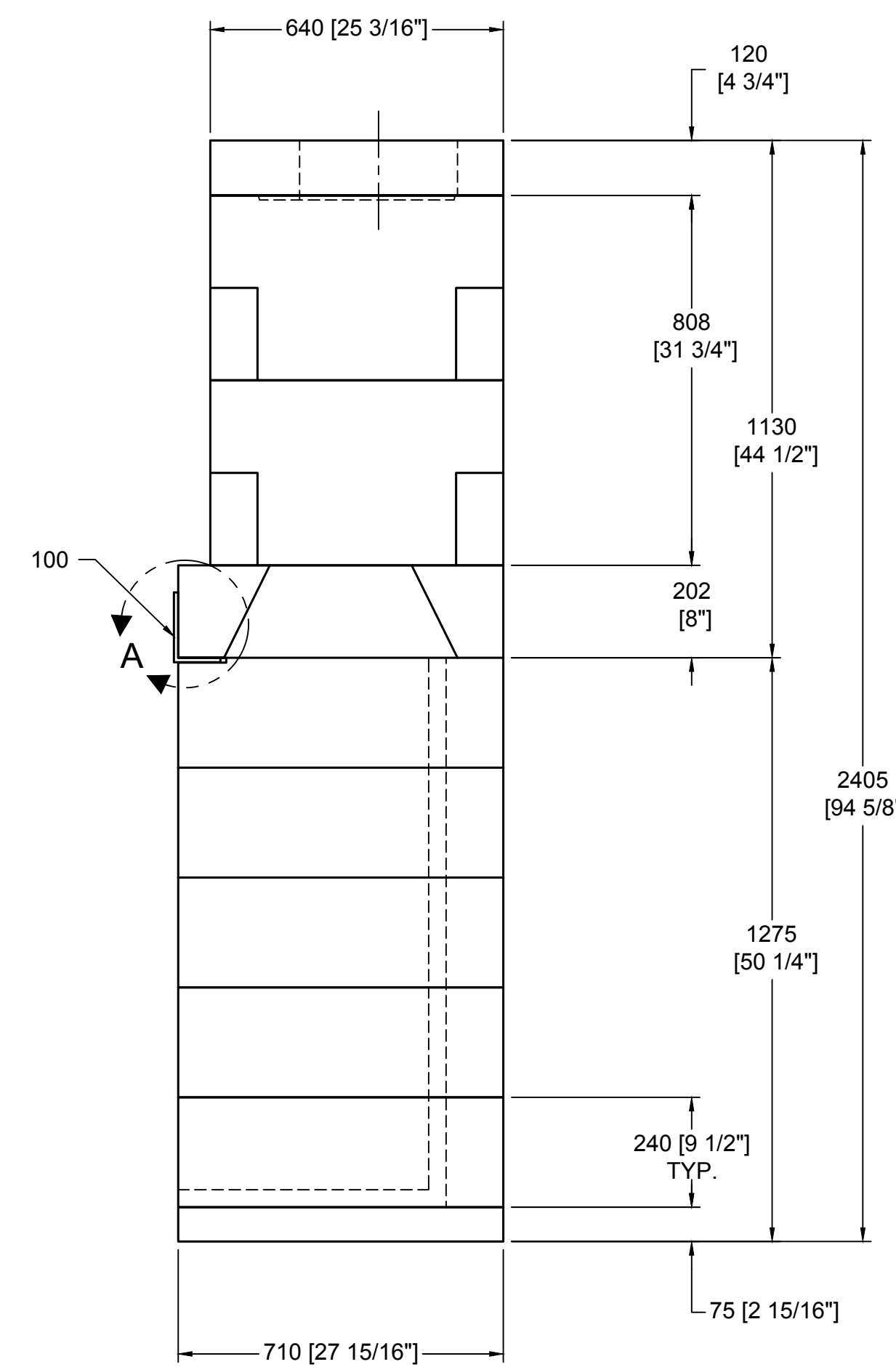
SECTION B-B
HORIZONTAL FIREBRICK DETAIL



FRONT VIEW



SECTION A-A
VERTICAL FIREBRICK DETAIL



RIGHT-SIDE VIEW

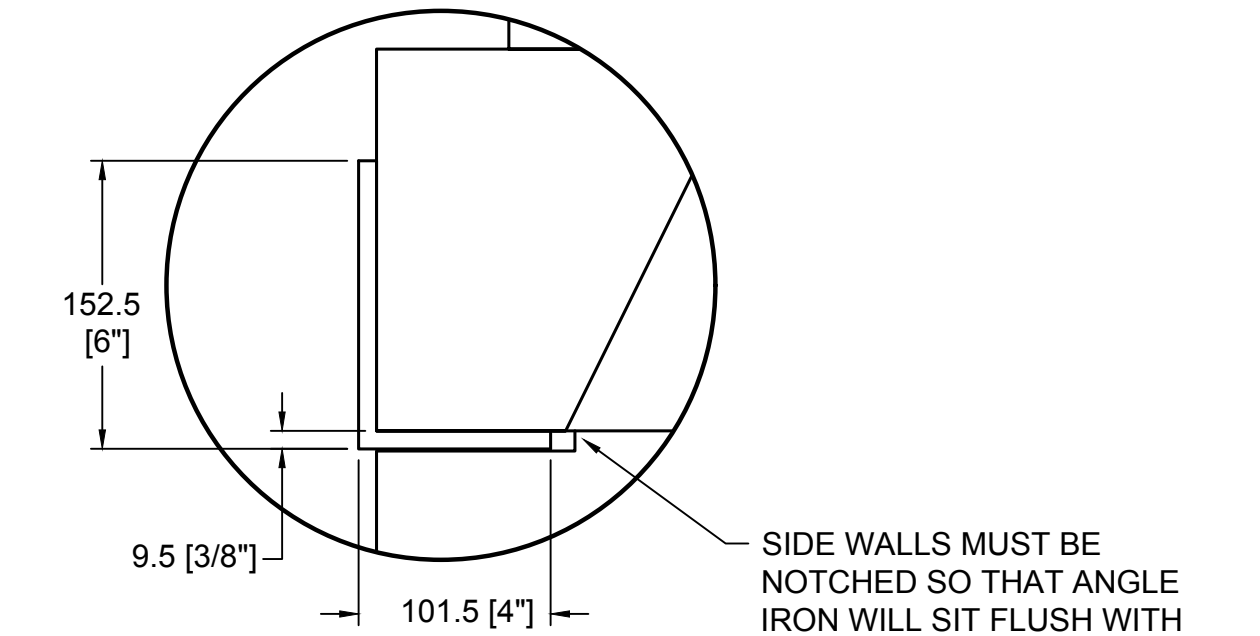
COMPONENT LIST

PART #	DESCRIPTION	QTY.
13	SMOKE DOME (LARGE)	4
15	SMOKE DOME (60 MAGNUM, SMALL)	4
16	SMOKE DOME (60/ 72 MAGNUM, LARGE)	2
17	SMOKE DOME (60 MAGNUM, MEDIUM)	2
34	TOP SLOPING	4
68	DAMPER BEAM (36")	2
M66	BACK WALL (42 MAGNUM)	5
71	BACKWALL (60" MAGNUM)	5
72	BACKWALL (60/ 72" MAGNUM)	5
77a	TOP PLATE W/ 345mm HOLE	1
79L/79R	TOP PLATE W/ 345mm HOLE (60 MAGNUM)	2 (1 EACH)
83	DAMPER BEAM (72" MAGNUM)	2
84	DAMPER BEAM (72" MAGNUM)	2
M90	SIDEWALL MAG	10
M93	BASEPLATE (48" MAGNUM)	2
M94L/R	DAMPER END L/R MAG	2(1 EACH)
100	4"x6"x3/8" ANGLE IRON; NOT SUPPLIED	1

GENERAL NOTES

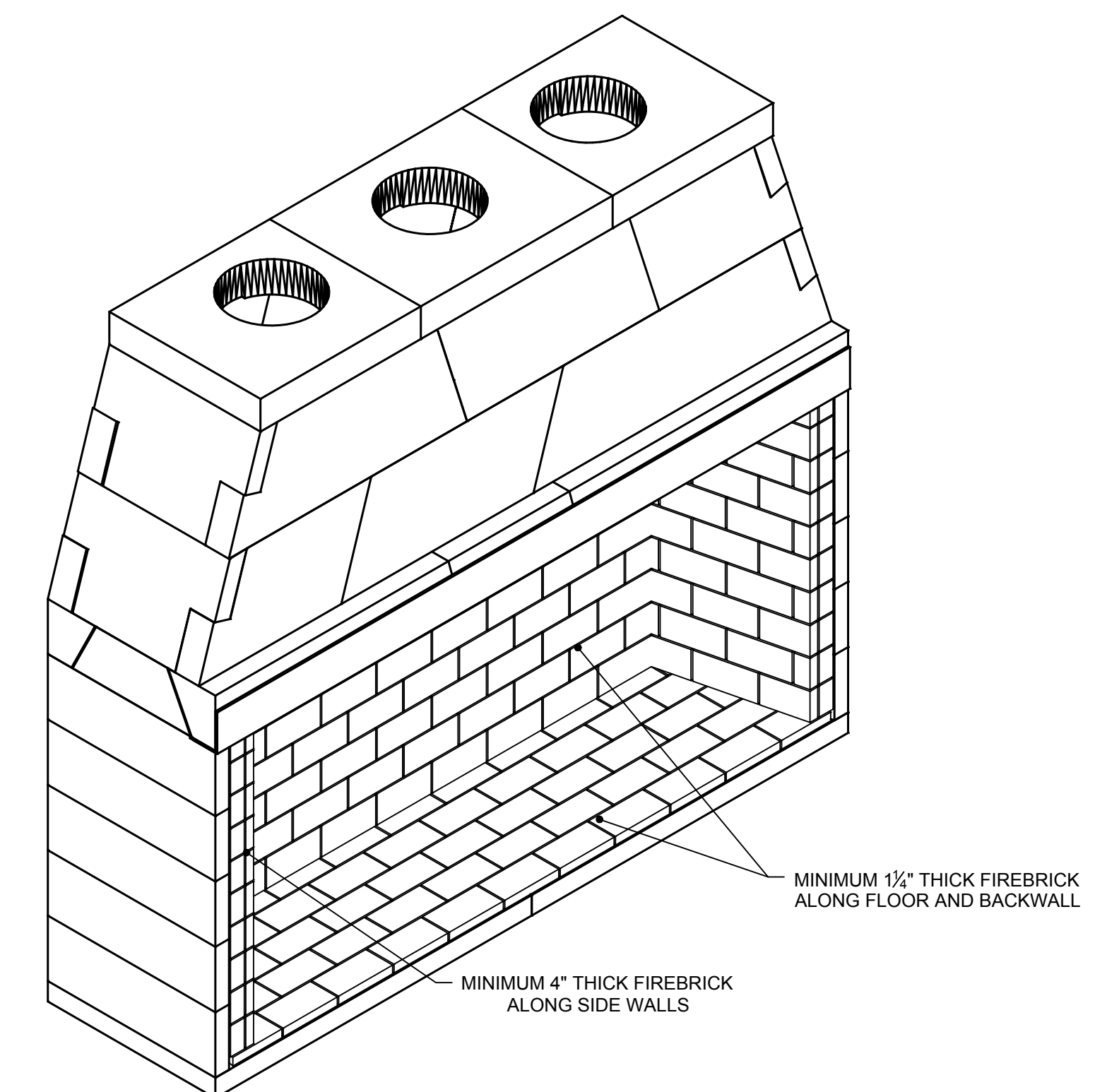
1. THIS CUSTOM ISOKERN FIREPLACE CARRIES NO LISTING, UL OR OTHERWISE.
2. DRAWINGS ARE FOR DESIGN PURPOSES ONLY AND ARE THE SOLE PROPERTY OF EARTHCORE INDUSTRIES. ANY REPRODUCTION OR UNAUTHORIZED USE IS STRICTLY PROHIBITED.
3. EARTHCORE/ ISOKERN OR ANY DIVISION THEREOF SHALL NOT BE HELD LIABLE FOR ANY INCIDENTAL OR CONSEQUENTIAL DAMAGES OR EXPENSES ARISING OUT OF THE USE OF THE FIREPLACES OR CHIMNEY SYSTEMS.
4. ALWAYS CHECK LOCAL BUILDING CODES GOVERNING FIREPLACES AND FIREPLACE INSTALLATIONS. MECHANICAL VENTILATION ASSISTANCE MAY BE REQUIRED FOR THIS DESIGN.
5. TWO (2) 4" COMBUSTION AIR INLET KITS ARE REQUIRED BY EARTHCORE AND MAY HELP IMPROVE FIREPLACE OPERATION IN HOMES TIGHTLY SEALED AND WITH OTHER VENTILATING APPLIANCES INSTALLED. IF THE INSTALLATION IS TO BE LONGER THAN TEN FEET (10'), THEN THE SIX INCH (6") ADAPTER WILL BE NEEDED. THIS ADAPTER WILL ATTACH TO THE EXISTING FOUR INCH (4") SLEEVE OUTSIDE OF THE UNIT. THE SIX INCH ADAPTER INCLUDES AN ADDITIONAL TWENTY FEET OF 6" FLEX HOSE, FOR A MAXIMUM RUN OF THIRTY FEET (30').
6. MECHANICAL VENTILATION ASSISTANCE MAY BE REQUIRED WITH THIS DESIGN

DETAILS (N.T.S)



DETAIL A
DAMPER SUPPORT ANGLE

ISOMETRIC VIEW (N.T.S)



UNLESS OTHERWISE STATED, ALL DIMENSIONS ARE IN MILLIMETERS		PROJECT: 96" MAGNUM	
UNSPECIFIED TOLERANCES	THIRD ANGLE PROJECTION	DESCRIPTION: FIREPLACE CONSTRUCTION DOCUMENT	
ANG. X ±		MATERIAL: E.C. PUMICE MIXTURE	SIZE: SCALE: DRAWING #: 82096
LIN. X ±		DATE: 5/3/2018	REV. A
X ±		DRAWN: K.B.H.	
XX ±		APPROVED: DATE:	

6999 Phillips Industrial Blvd.
Jacksonville, FL 32256

DO NOT SCALE SHEET # 1 OF 1