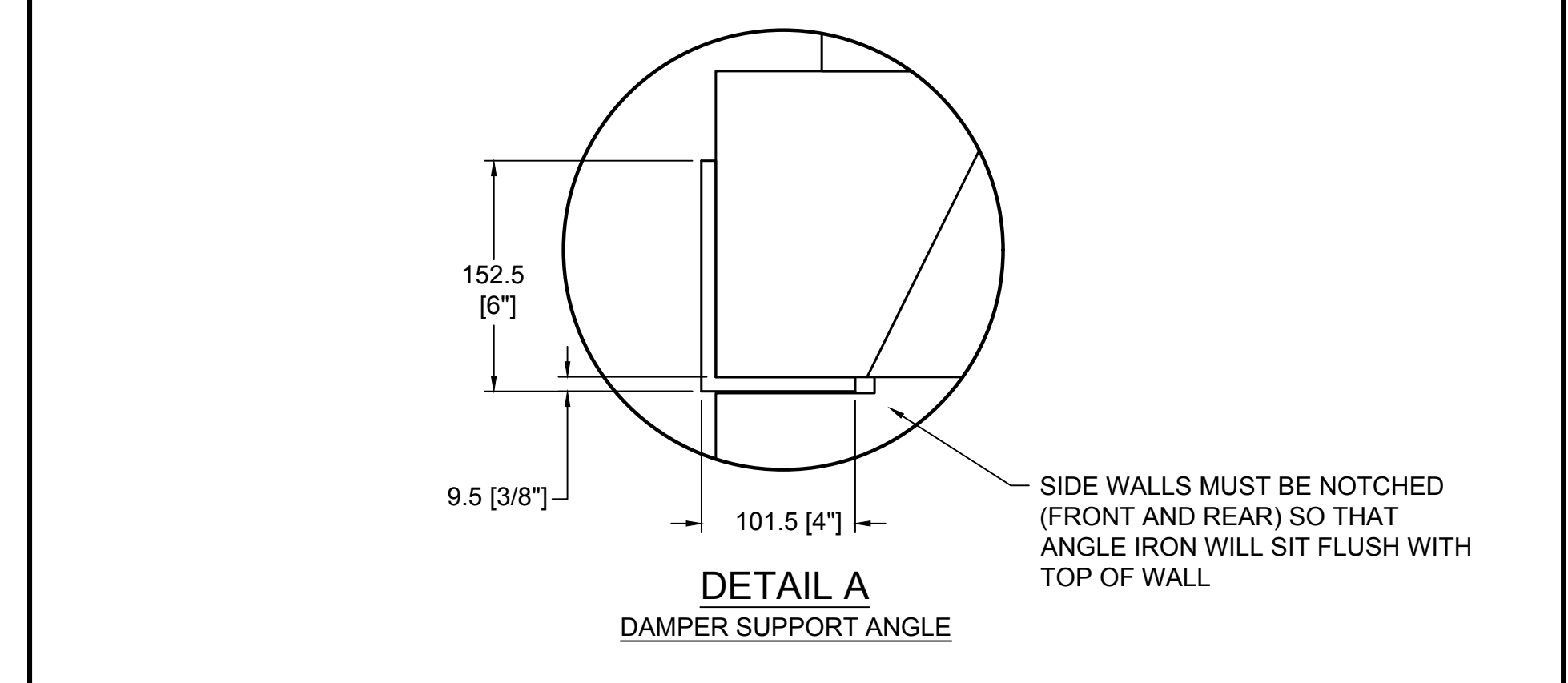
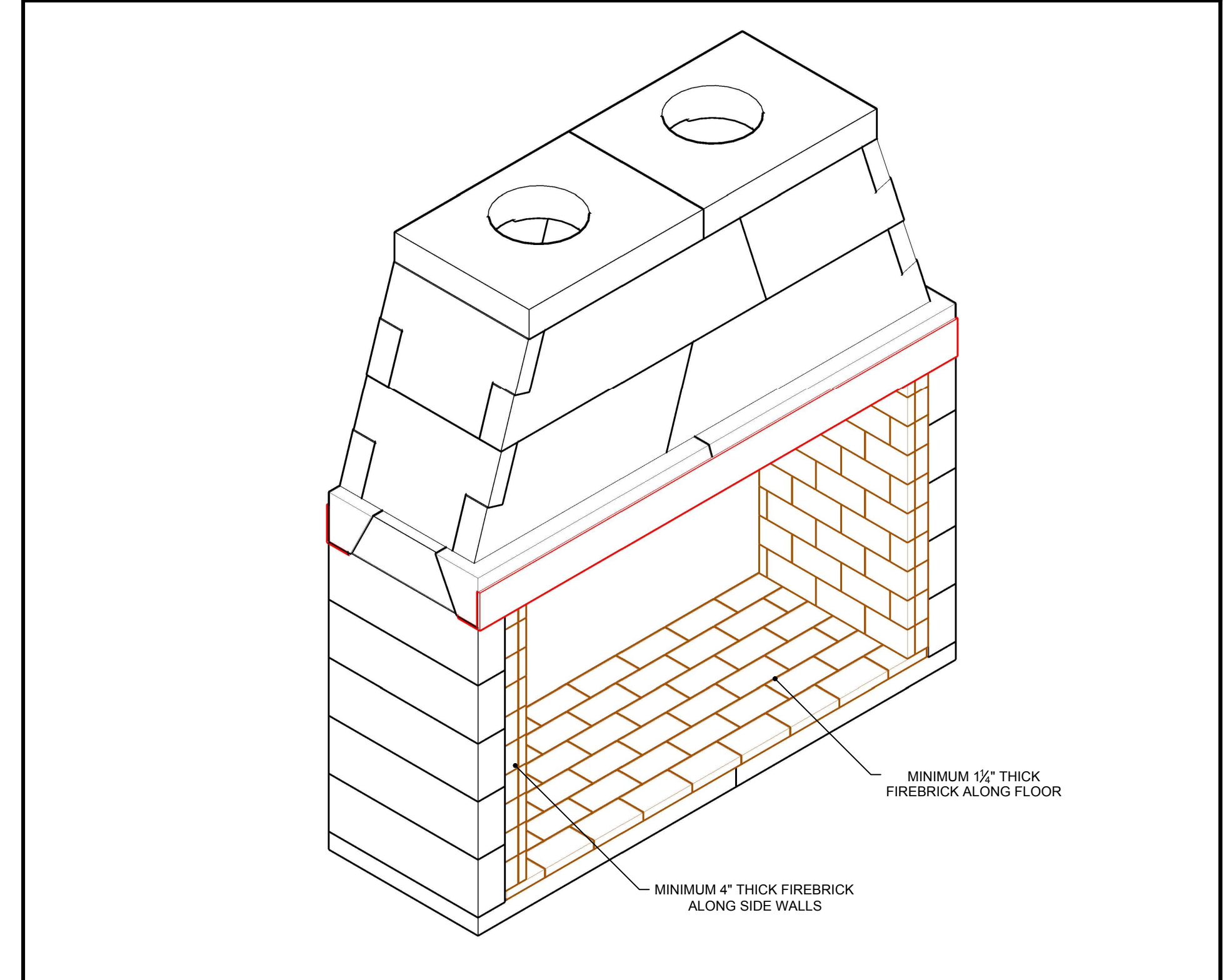


COMPONENT LIST		
PART #	DESCRIPTION	QTY.
16	SMOKE DOME LARGE 60"/70" MAG	4
18	SMOKE DOME LARGE 72" MAG	2
19	SMOKE DOME 72" MAG	2
34	TOP SLOPING	4
M66(CC)	CUSTOM CUT SIDEWALL MAG	10
69a(CC)	CUSTOM CUT DAMPER BEAM-42"	2
84	DAMPER BEAM 72" MAG	2
77A	TOP PLATE W/345mm HOLE	2
M91a(CC)	CUSTOM CUT BASEPLATE-36" MAG	1
M92	BASE PLATE-42" MAG	1
M94L/R	DAMPER END L/R MAG	2 (1 EACH)
100	4"x6"x $\frac{3}{8}$ " ANGLE IRON; NOT SUPPLIED	2

DETAILS (N.T.S)



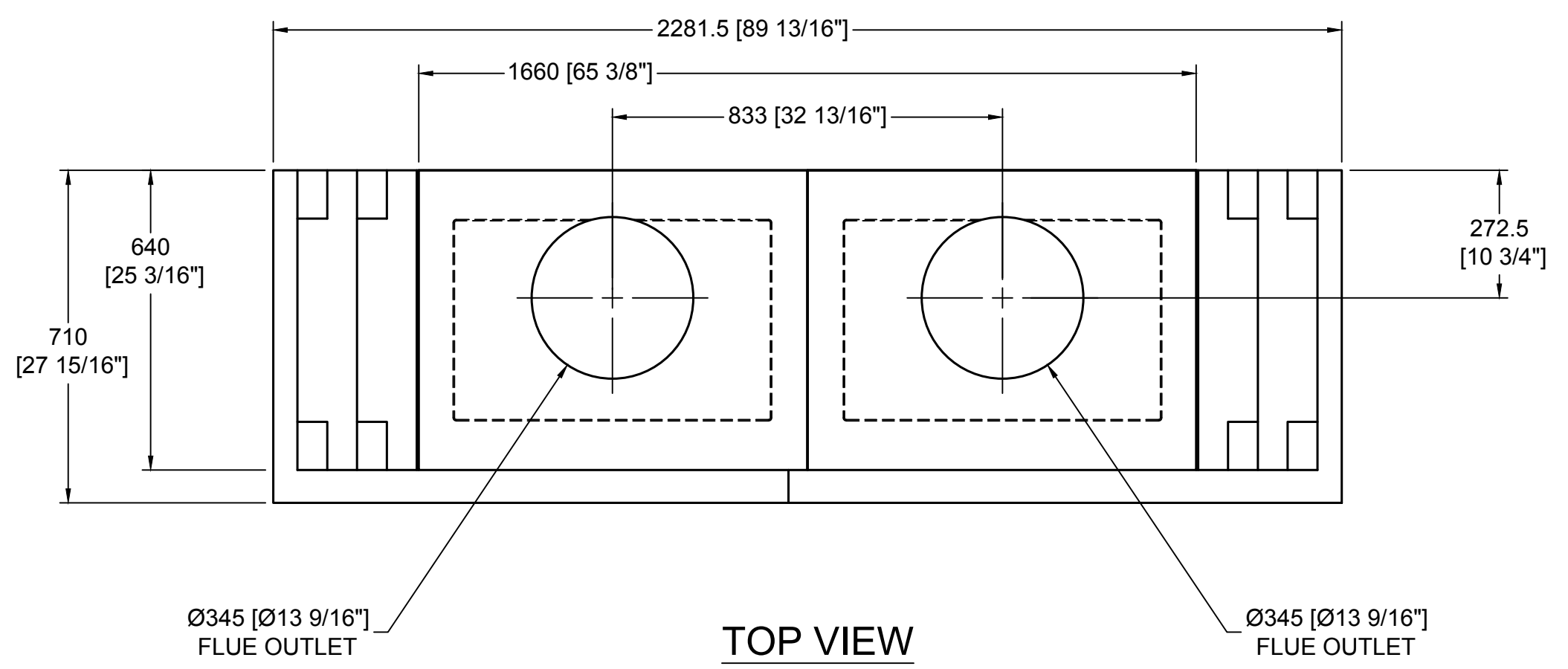
ISOMETRIC VIEW (N.T.S)



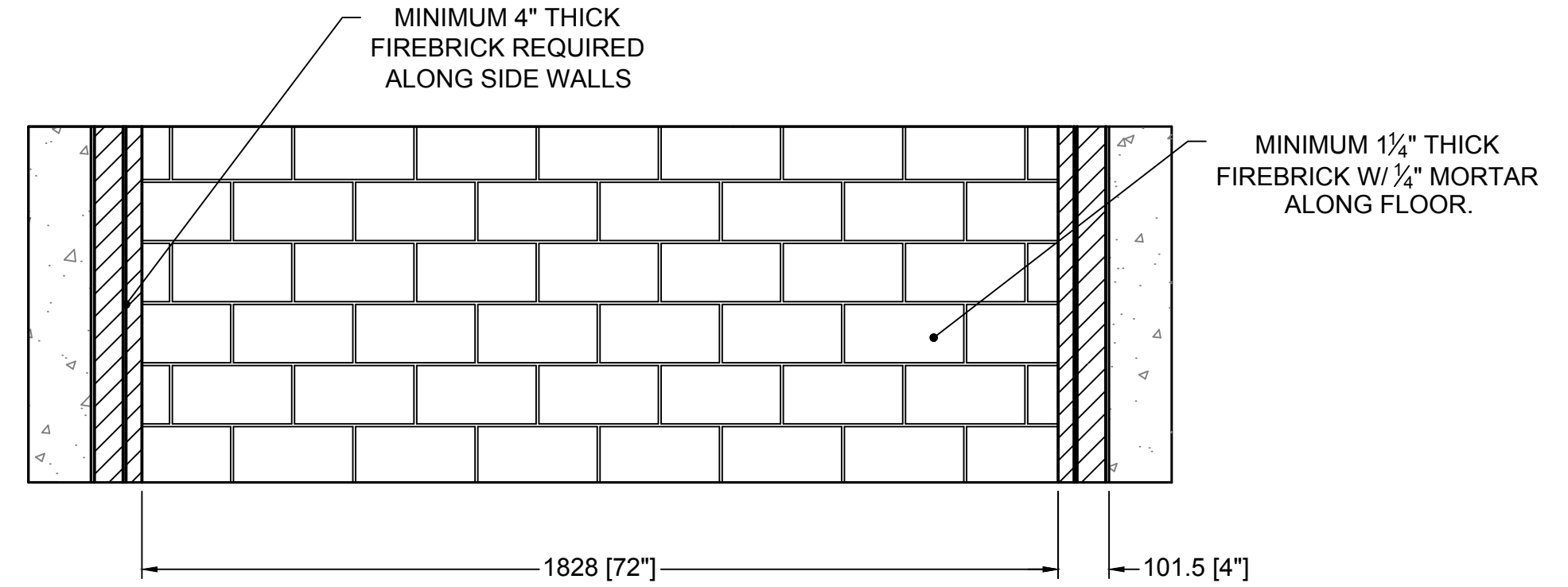
GENERAL NOTES

- THIS IS A CUSTOM ISOKERN FIREPLACE AND CARRIES NO LISTING, UL OR OTHERWISE.
- DRAWINGS ARE FOR DESIGN PURPOSES ONLY AND ARE THE SOLE PROPERTY OF EARTHORE INDUSTRIES. ANY REPRODUCTION OR UNAUTHORIZED USE IS STRICTLY PROHIBITED.
- EARTHORE/ ISOKERN OR ANY DIVISION THEREOF SHALL NOT BE HELD LIABLE FOR ANY INCIDENTAL OR CONSEQUENTIAL DAMAGES OR EXPENSES ARISING OUT OF THE USE OF THE FIREPLACES OR CHIMNEY SYSTEMS.
- ALWAYS CHECK LOCAL BUILDING CODES GOVERNING FIREPLACES AND FIREPLACE INSTALLATIONS.
- TWO (2) 4" COMBUSTION AIR INLET KITS ARE REQUIRED BY EARTHORE AND MAY HELP IMPROVE FIREPLACE OPERATION IN HOMES TIGHTLY SEALED AND WITH OTHER VENTILATING APPLIANCES INSTALLED. IF THE INSTALLATION IS TO BE LONGER THAN TEN FEET (10'), THEN THE SIX INCH (6") ADAPTER WILL BE NEEDED. THIS ADAPTER WILL ATTACH TO THE EXISTING FOUR INCH (4") SLEEVE OUTSIDE OF THE UNIT. THE SIX INCH ADAPTER INCLUDES AN ADDITIONAL TWENTY FEET OF 6" FLEX HOSE, FOR A MAXIMUM RUN OF THIRTY FEET (30').
- MECHANICAL VENTILATION ASSISTANCE MAY BE REQUIRED WITH THIS DESIGN.

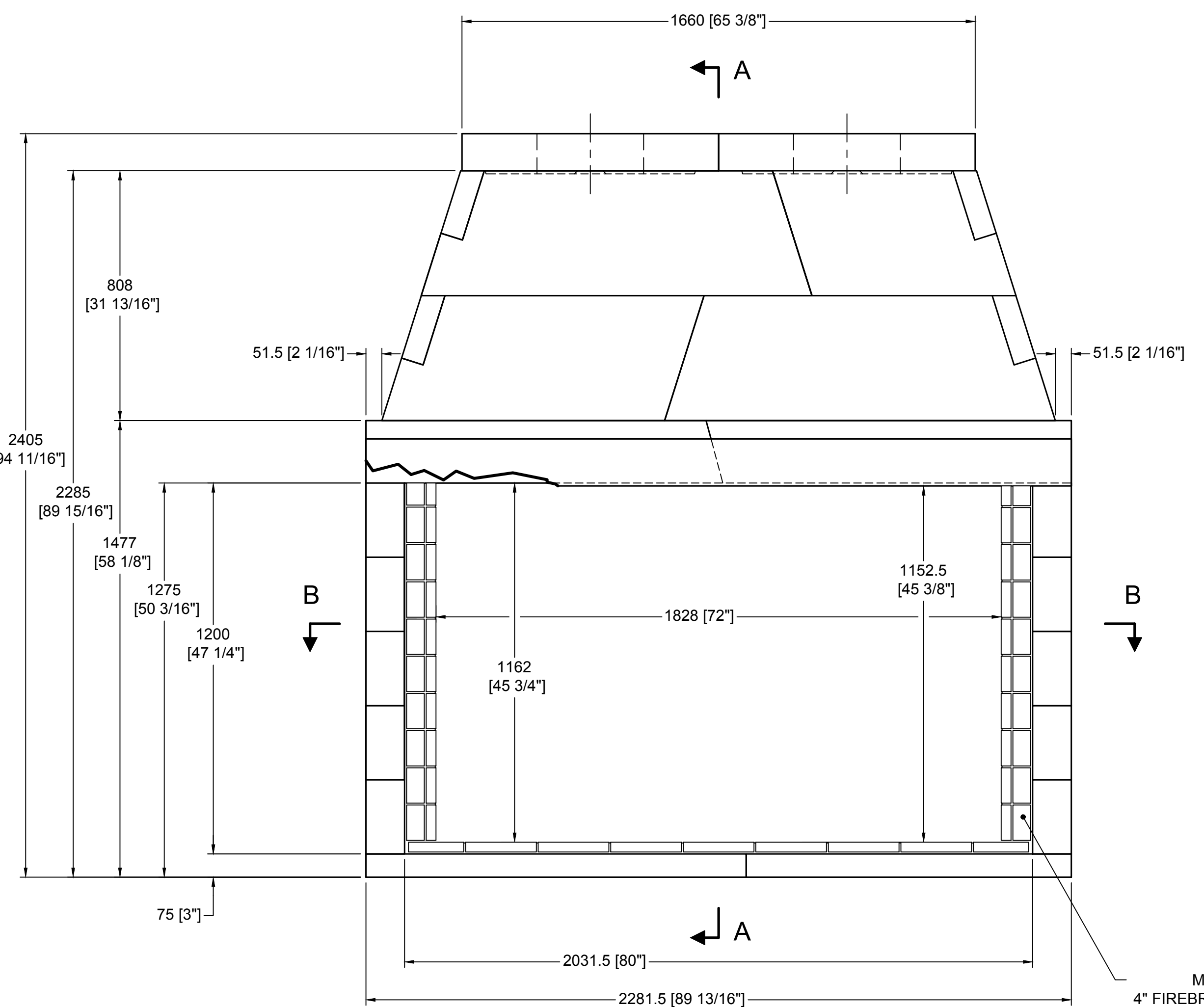
	UNLESS OTHERWISE STATED, ALL DIMENSIONS ARE IN MILLIMETERS		PROJECT: 72" MAGNUM-SEE THRU-TALL		
	UNSPECIFIED TOLERANCES	THIRD ANGLE PROJECTION	DESCRIPTION: FIREPLACE CONSTRUCTION DOCUMENT		
MATERIAL:	ANG. X ±		MATERIAL: E.C. PLUMICE MIXTURE		
DRAWN: K.B.H.	LIN. X ±		DATE: 5/3/2018	SIZE: D	SCALE: 1"=1'-0"
APPROVED:	X ±	DATE:	DRAWING #: 82072ST-B	REV: A	
6899 Phillips Industrial Blvd. Jacksonville, FL 32256	XX ±	DATE:	DO NOT SCALE	SHEET # 1 OF 1	



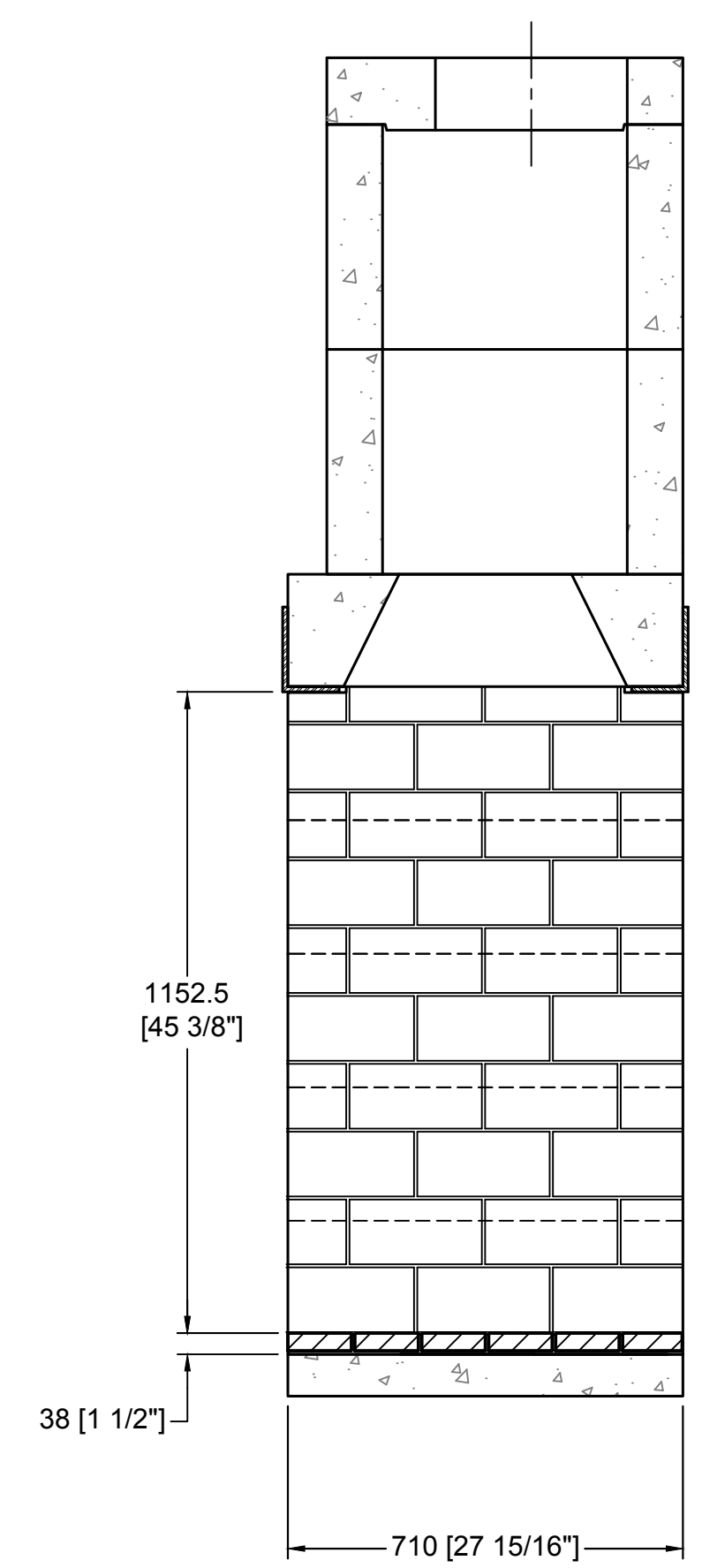
TOP VIEW



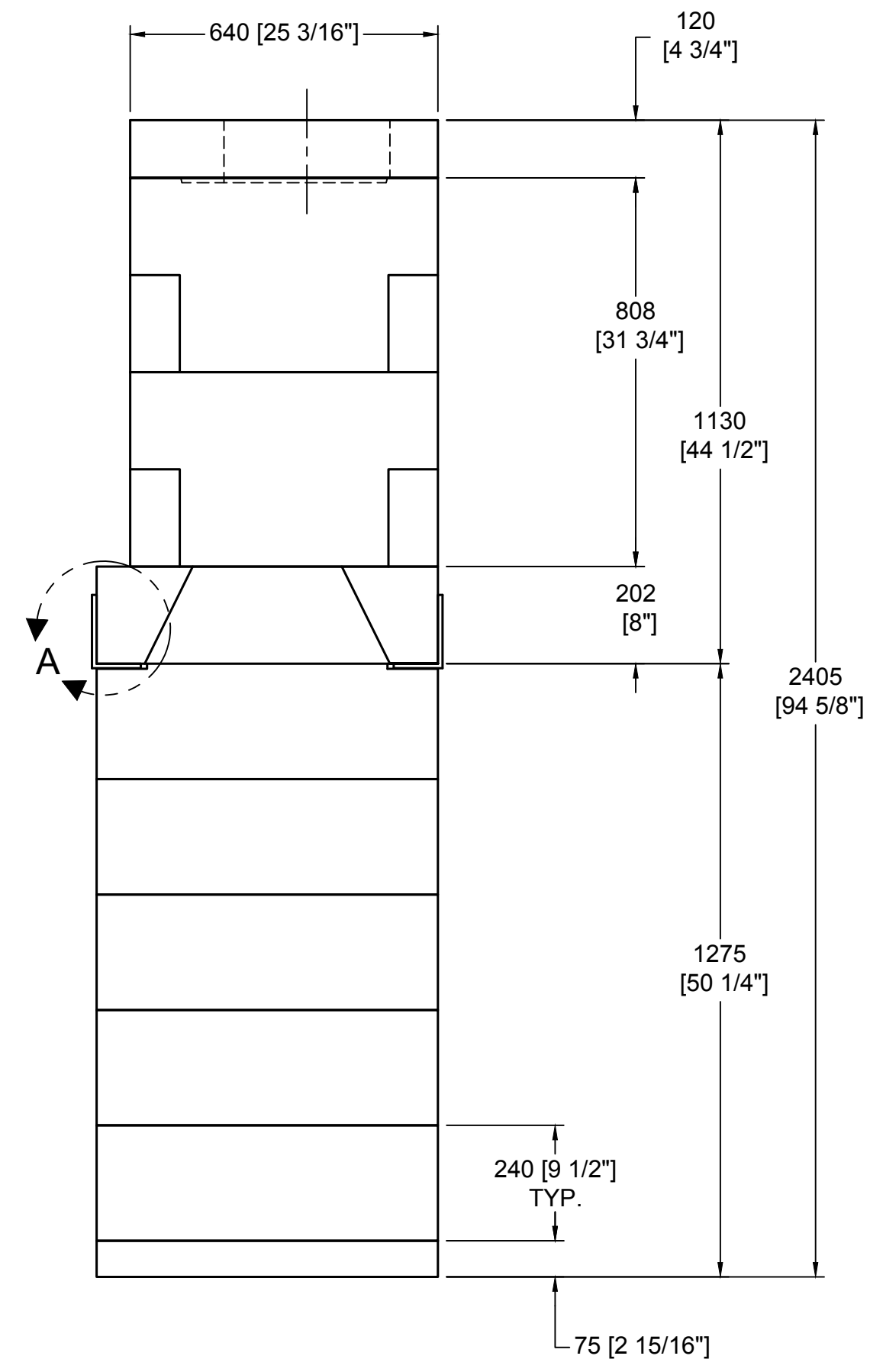
SECTION B-B
HORIZONTAL FIREBRICK SECTION



FRONT VIEW



SECTION A-A
VERTICAL FIREBRICK SECTION



RIGHT-SIDE VIEW