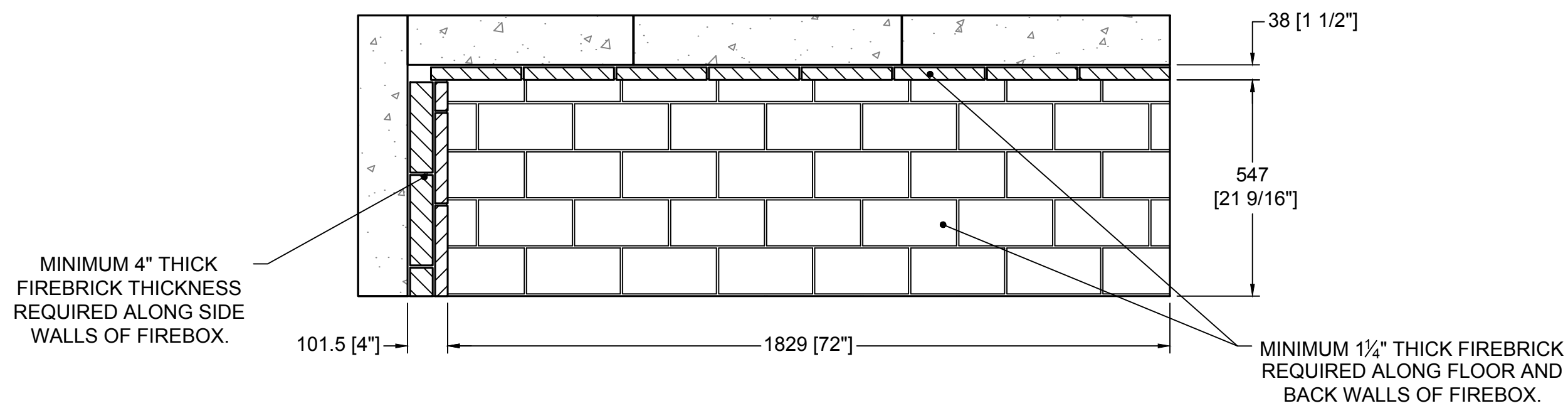
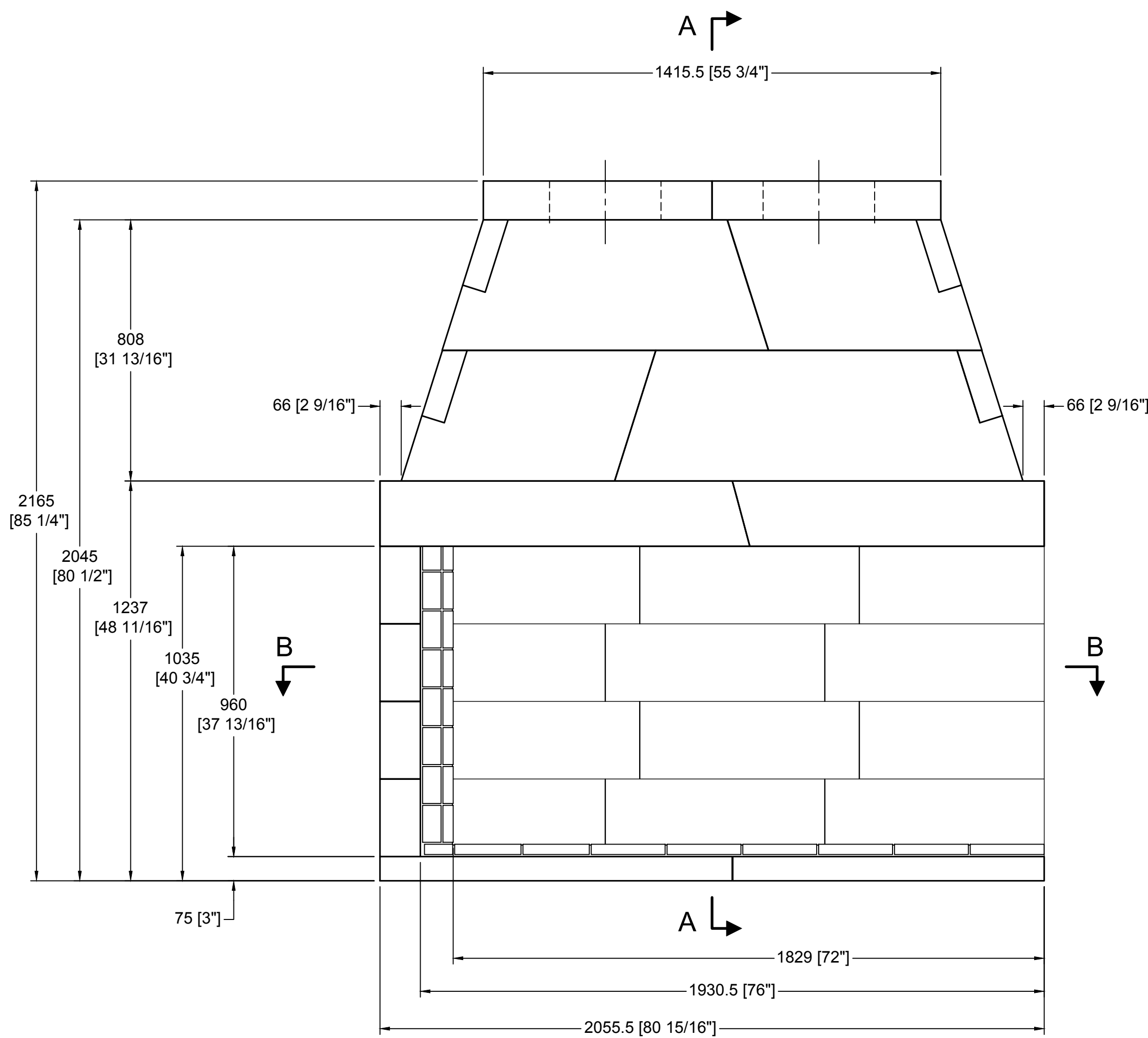


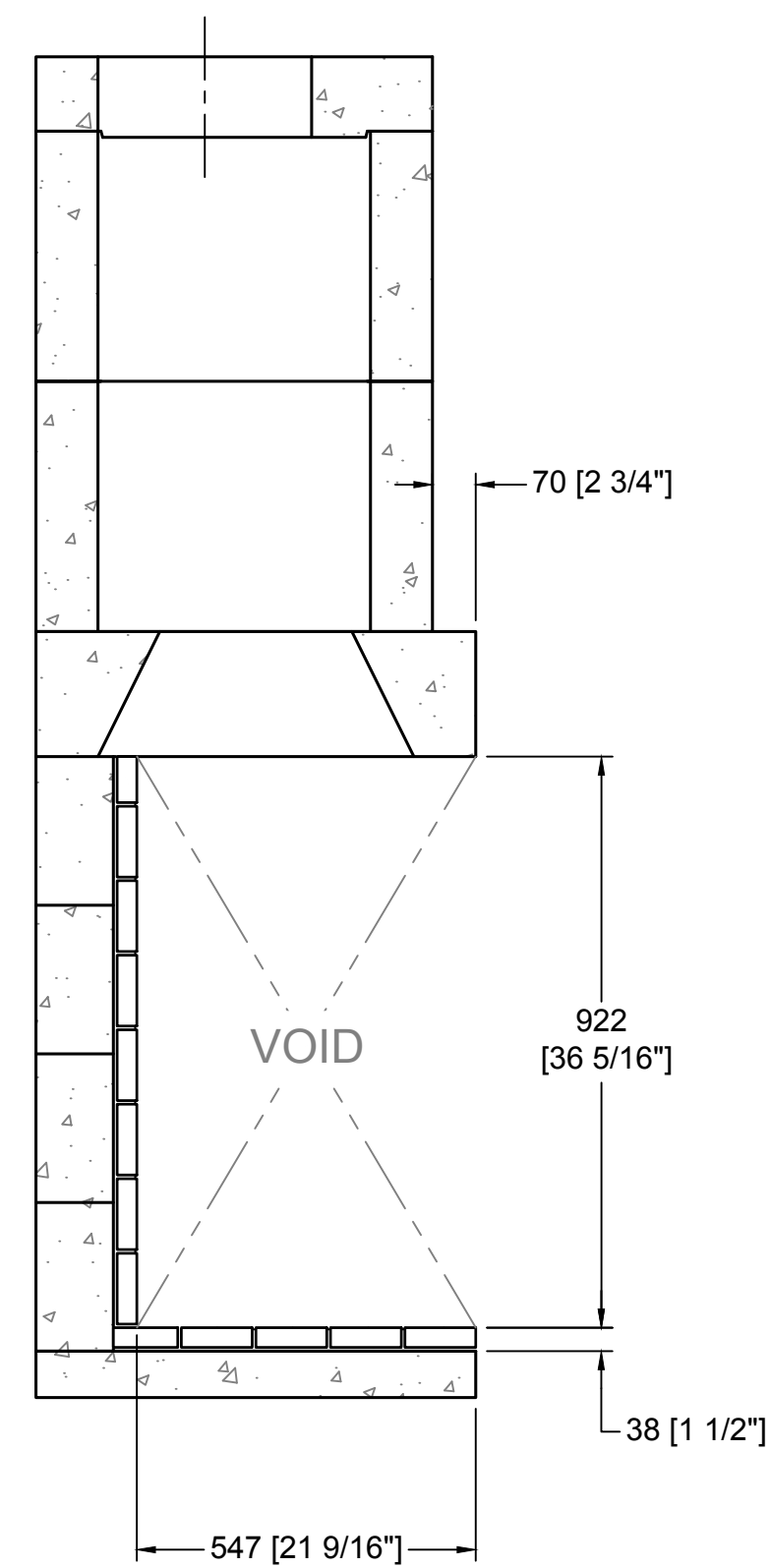
TOP VIEW



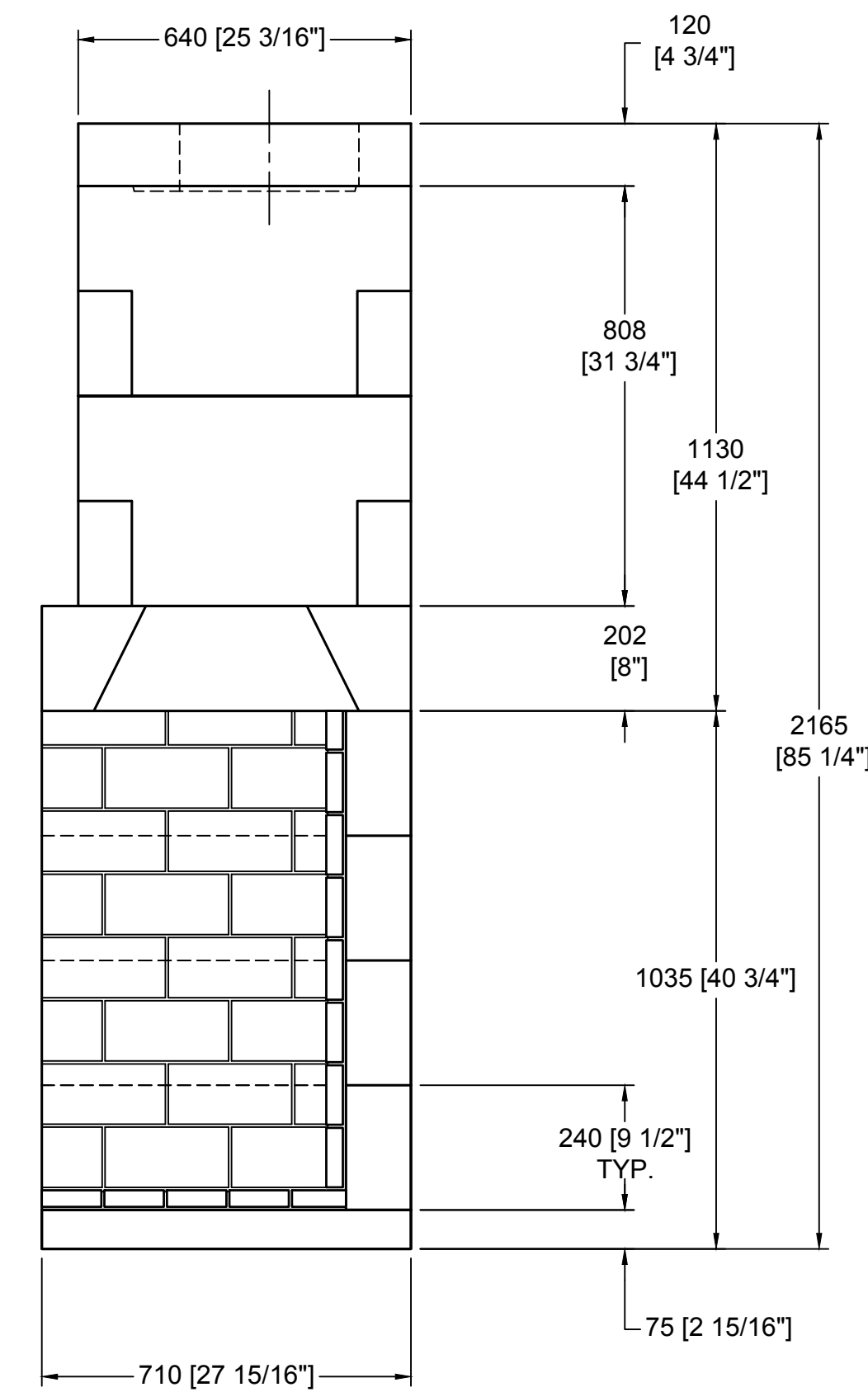
SECTION B-B
HORIZONTAL FIREBRICK DETAIL



FRONT VIEW



SECTION A-A
VERTICAL FIREBRICK DETAIL



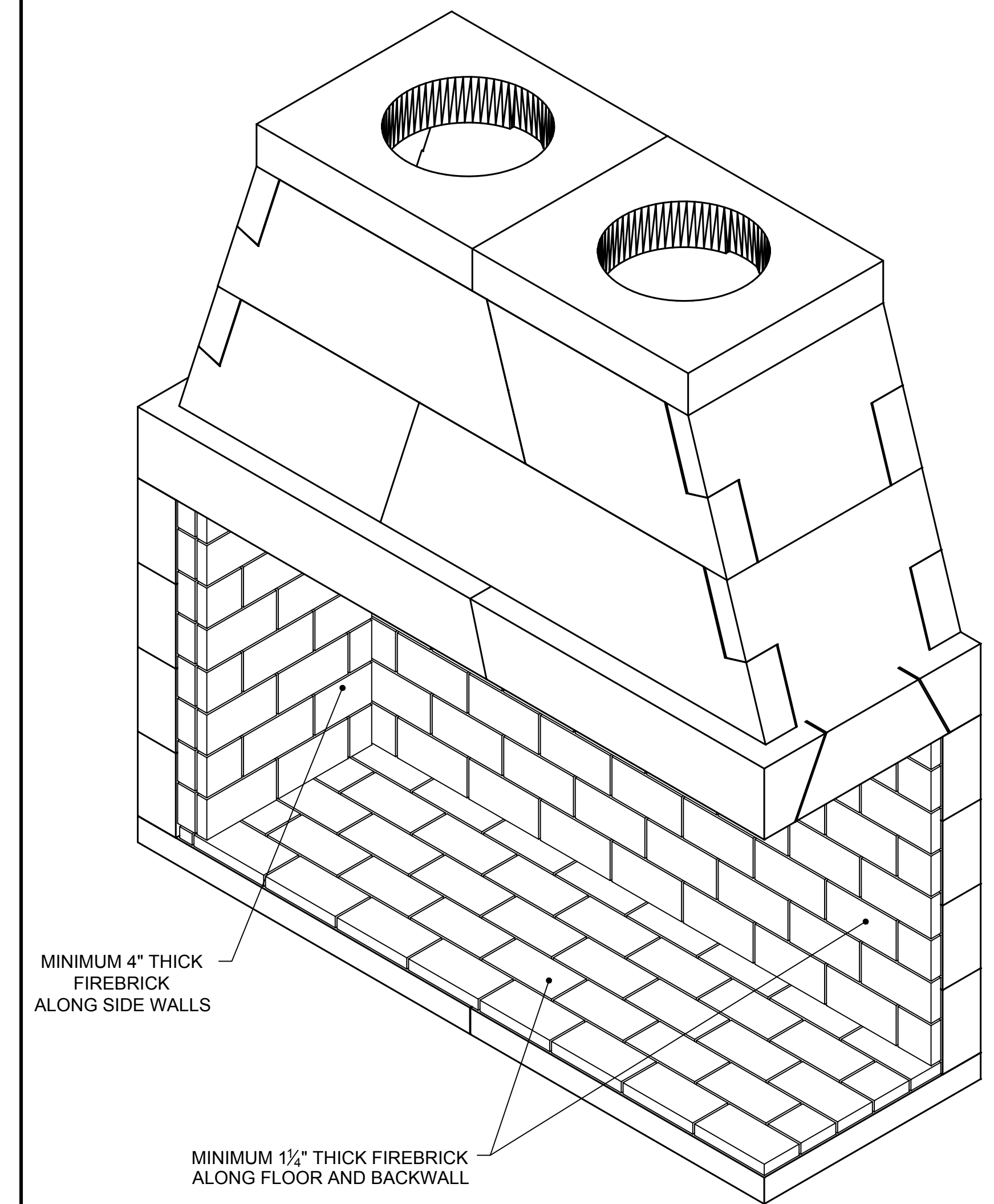
RIGHT-SIDE VIEW

COMPONENT LIST		
PART #	DESCRIPTION	QTY.
16	SMOKE DOME LARGE (60/72" MAG)	2
17	SMOKE DOME MIDDLE (60" MAG)	2
19	SMOKE DOME SMALL (72" MAG)	4
34	TOP SLOPING	4
M65	BACK WALL (36" MAG)	12
M66	BACK WALL (48 MAG)	4
69	DAMPER BEAM (42")	2
75	DAMPER BEAM (60 MAG)	2
78	TOP PLATE W/ 400mm HOLE	2
M91	BASE PLATE (36" MAG)	2
M94L/R	DAMPER END L/R MAG	2(1 EACH)

DETAILS

- THIS IS A CUSTOM ISOKERN FIREPLACE AND CARRIES NO LISTING, UL OR OTHERWISE.
- IN ORDER TO SUPPORT THE SMOKE DOME OF THIS FIREBOX, A STRUCTURAL STEEL SUPPORT FRAME MUST BE DESIGNED AND APPROVED BY A STRUCTURAL ENGINEER. SMOKE DOME WEIGHT EXCLUDING MORTAR AND EXHAUST COMPONENTS IS 1,390 LBS.
- TWO 4" COMBUSTION AIR INLET KITS ARE REQUIRED BY EARTHCORE AND MAY HELP IMPROVE FIREPLACE OPERATION IN HOMES TIGHTLY SEALED AND WITH OTHER VENTILATING APPLIANCES INSTALLED. IF THE INSTALLATION IS TO BE LONGER THAN TEN FEET (10'), THEN THE SIX INCH (6") ADAPTER WILL BE NEEDED. THIS ADAPTER WILL ATTACH TO THE EXISTING FOUR INCH (4") SLEEVE OUTSIDE OF THE UNIT. THE SIX INCH ADAPTER INCLUDES AN ADDITIONAL TWENTY FEET OF 6" FLEX HOSE, FOR A MAXIMUM RUN OF THIRTY FEET (30').
- MECHANICAL VENTILATION ASSISTANCE WILL BE REQUIRED WITH THIS DESIGN.
- DRAWINGS ARE FOR DESIGN PURPOSES ONLY AND ARE THE SOLE PROPERTY OF EARTHCORE INDUSTRIES. ANY REPRODUCTION OR UNAUTHORIZED USE IS STRICTLY PROHIBITED.
- EARTHCORE/ ISOKERN OR ANY DIVISION THEREOF SHALL NOT BE HELD LIABLE FOR ANY INCIDENTAL OR CONSEQUENTIAL DAMAGES OR EXPENSES ARISING OUT OF THE USE OF THE FIREPLACES OR CHIMNEY SYSTEMS.
- ALWAYS CHECK LOCAL BUILDING CODES GOVERNING FIREPLACES AND FIREPLACE INSTALLATIONS.

ISOMETRIC VIEW (N.T.S)



NOTE: IN ORDER TO SUPPORT THE SMOKE DOME OF THIS FIREBOX, A STRUCTURAL STEEL SUPPORT FRAME MUST BE DESIGNED AND APPROVED BY A STRUCTURAL ENGINEER. SMOKE DOME WEIGHT EXCLUDING MORTAR AND EXHAUST COMPONENTS IS 1,390 LBS.

	UNLESS OTHERWISE STATED, ALL DIMENSIONS ARE IN MILLIMETERS		PROJECT: 72" MAGNUM CORNER-RIGHT OPEN		
	UNSPECIFIED TOLERANCES	THIRD ANGLE PROJECTION	DESCRIPTION: FIREPLACE CONSTRUCTION DOCUMENT		
MATERIAL: E.C. PLUMICE MIXTURE	ANG. X ±		DRAWING #: 82072CR		
DATE: 5/3/2018	LIN. X ±		SCALE: 1"=1'-0"	REV. A	
APPROVED: K.B.H.	XX ±	SIZE: D	SHEET # 1 OF 1		