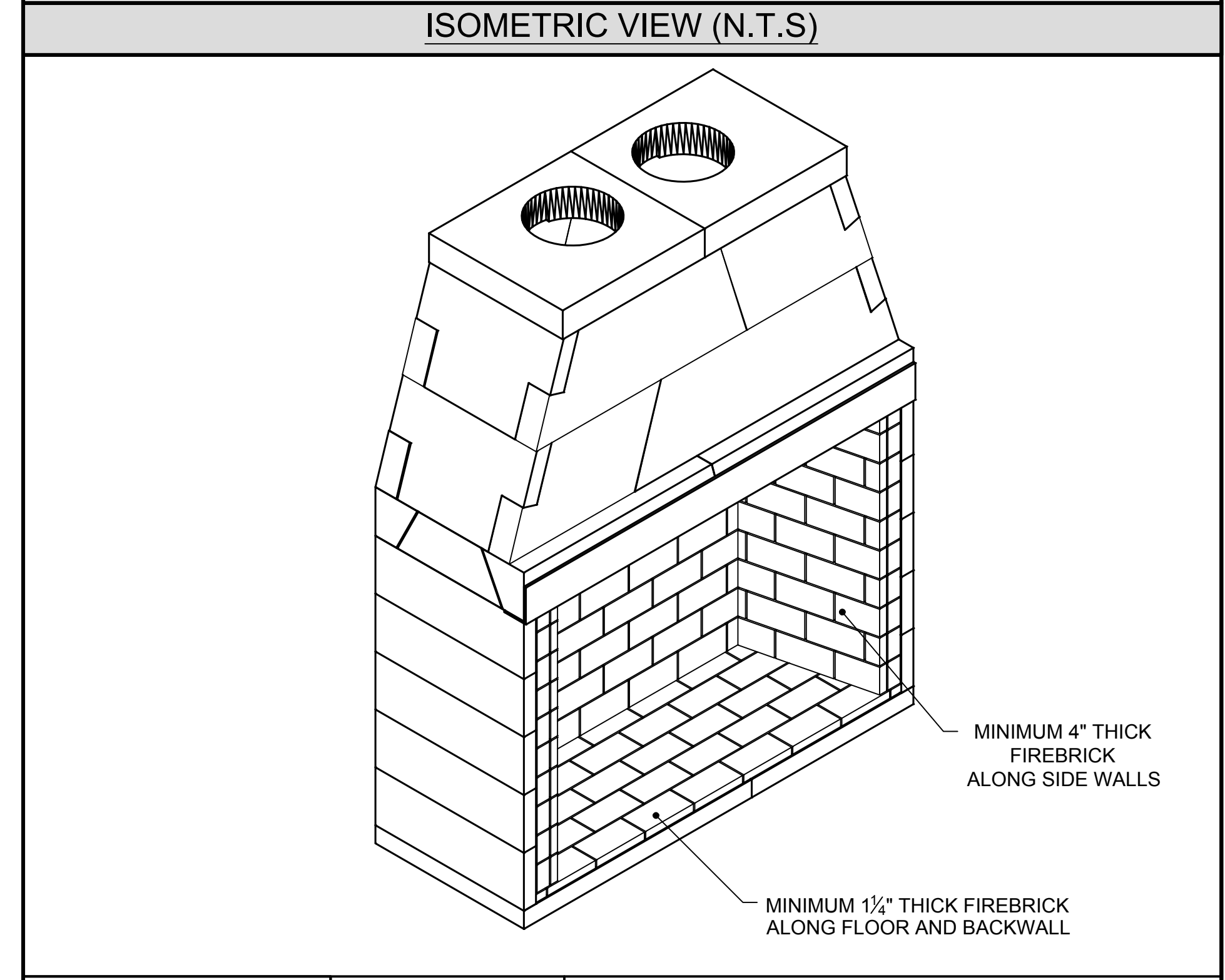
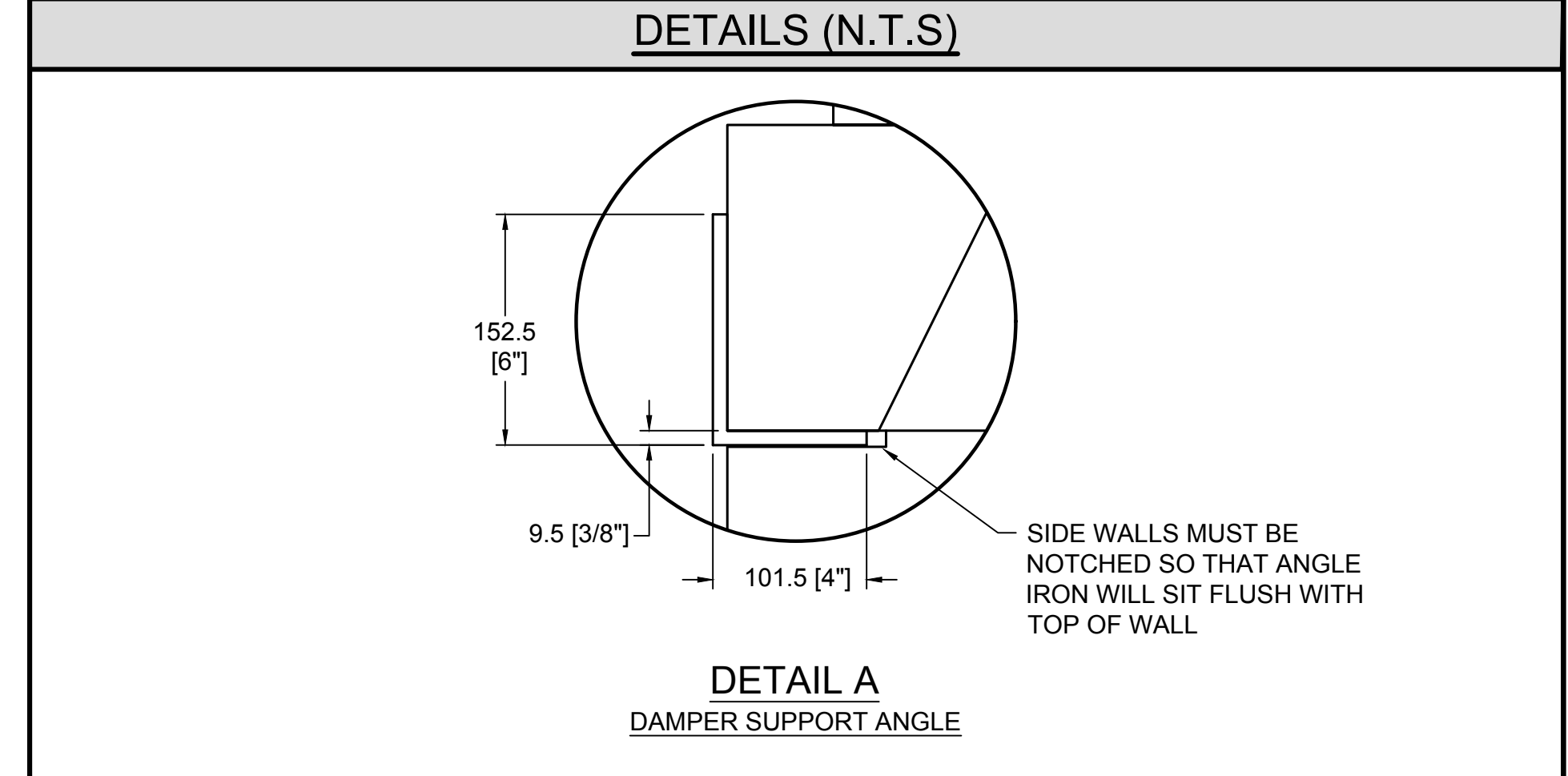


COMPONENT LIST		
PART #	DESCRIPTION	QTY.
15	SMOKE DOME 60" MAG	4
16	SMOKE DOME LARGE 60"/70" MAG	2
17	SMOKE DOME MIDDLE 60" MAG	2
34	TOP SLOPING	4
71	BACKWALL-60" MAG	5
72	BACKWALL-60"/72" MAG	5
74	DAMPER 60" MAG	2
75	DAMPER 60" MAG	2
79L/R	TOP PLATE W/345mm HOLE 60" MAG	2(1 EACH)
M90	SIDEWALL MAGNUM	10
M91	BASEPLATE-36" MAG	1
M94L/R	DAMPER END L/R MAG	2(1 EACH)
M96	BASEPLATE-60" MAG.	1
100	4"x6"x3/8" ANGLE IRON; NOT SUPPLIED	1

- DETAILS**
- THIS CUSTOM ISOKERN FIREPLACE CARRIES NO LISTING, UL OR OTHERWISE.
 - DRAWINGS ARE FOR DESIGN PURPOSES ONLY AND ARE THE SOLE PROPERTY OF EARTHCORE INDUSTRIES. ANY REPRODUCTION OR UNAUTHORIZED USE IS STRICTLY PROHIBITED.
 - EARTHCORE/ ISOKERN OR ANY DIVISION THEREOF SHALL NOT BE HELD LIABLE FOR ANY INCIDENTAL OR CONSEQUENTIAL DAMAGES OR EXPENSES ARISING OUT OF THE USE OF THE FIREPLACES OR CHIMNEY SYSTEMS.
 - ALWAYS CHECK LOCAL BUILDING CODES GOVERNING FIREPLACES AND FIREPLACE INSTALLATIONS. MECHANICAL VENTILATION ASSISTANCE MAY BE REQUIRED FOR THIS DESIGN.
 - TWO (2) 4" COMBUSTION AIR INLET KITS ARE REQUIRED BY EARTHCORE AND MAY HELP IMPROVE FIREPLACE OPERATION IN HOMES TIGHTLY SEALED AND WITH OTHER VENTILATING APPLIANCES INSTALLED. IF THE INSTALLATION IS TO BE LONGER THAN TEN FEET (10'), THEN THE SIX INCH (6") ADAPTER WILL BE NEEDED. THIS ADAPTER WILL ATTACH TO THE EXISTING FOUR INCH (4") SLEEVE OUTSIDE OF THE UNIT. THE SIX INCH ADAPTER INCLUDES AN ADDITIONAL TWENTY FEET OF 6" FLEX HOSE, FOR A MAXIMUM RUN OF THIRTY FEET (30').
 - MECHANICAL VENTILATION ASSISTANCE MAY BE REQUIRED WITH THIS DESIGN



	UNLESS OTHERWISE STATED, ALL DIMENSIONS ARE IN MILLIMETERS		PROJECT: 60" MAGNUM-TALL	
	THIRD ANGLE PROJECTION		DESCRIPTION: FIREPLACE CONSTRUCTION DOCUMENT	
MATERIAL: E.C. PLUMICE MIXTURE	DATE: 5/3/2018	SCALE: 1"=1'-0"	DRAWING #: 82060-B	REV: A
DRAWN: K.B.H.	DATE: 5/3/2018	SCALE: D	DRAWING #: 82060-B	REV: A
APPROVED:	DATE:	DO NOT SCALE	SHEET # 1 OF 1	

