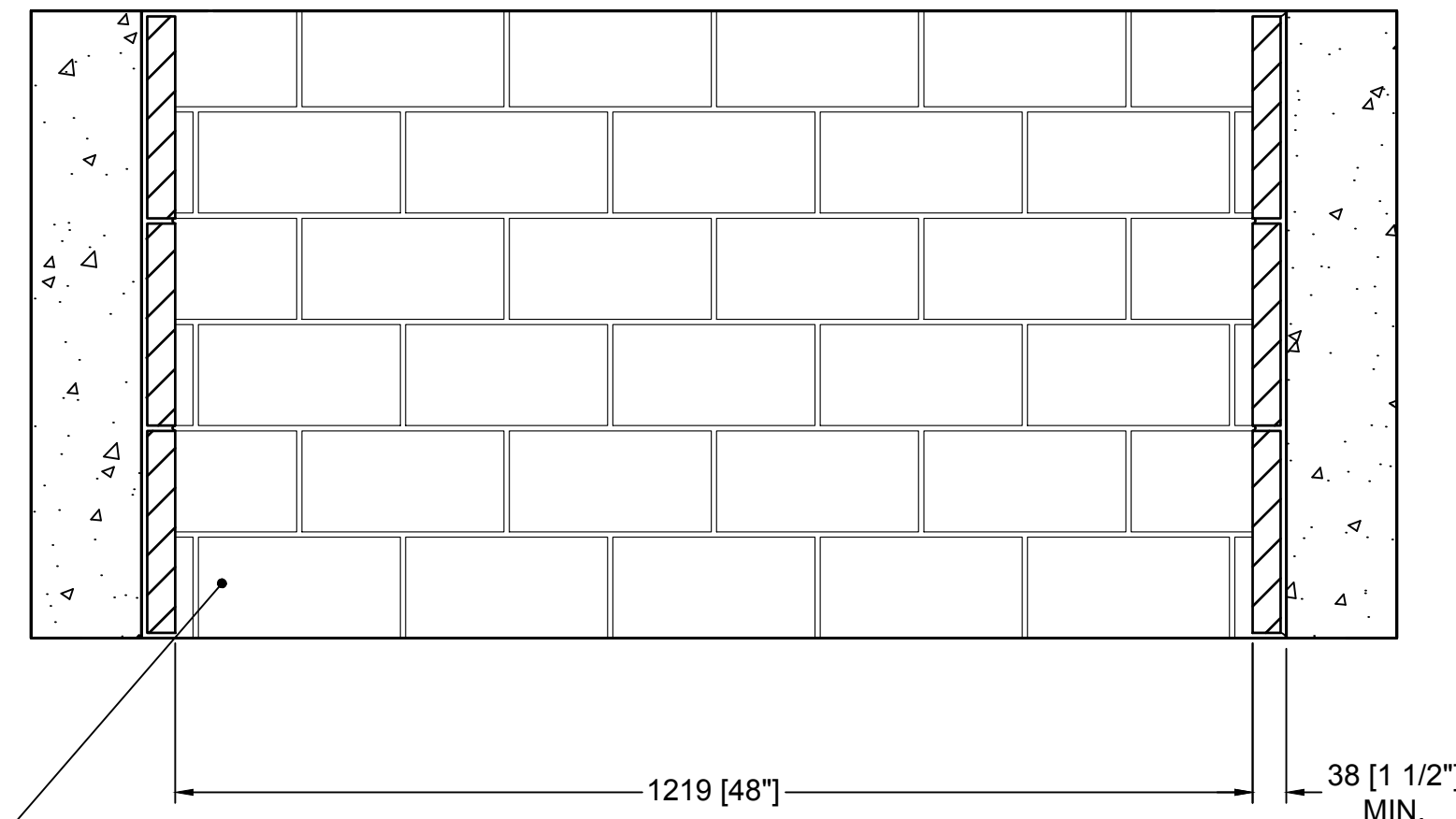
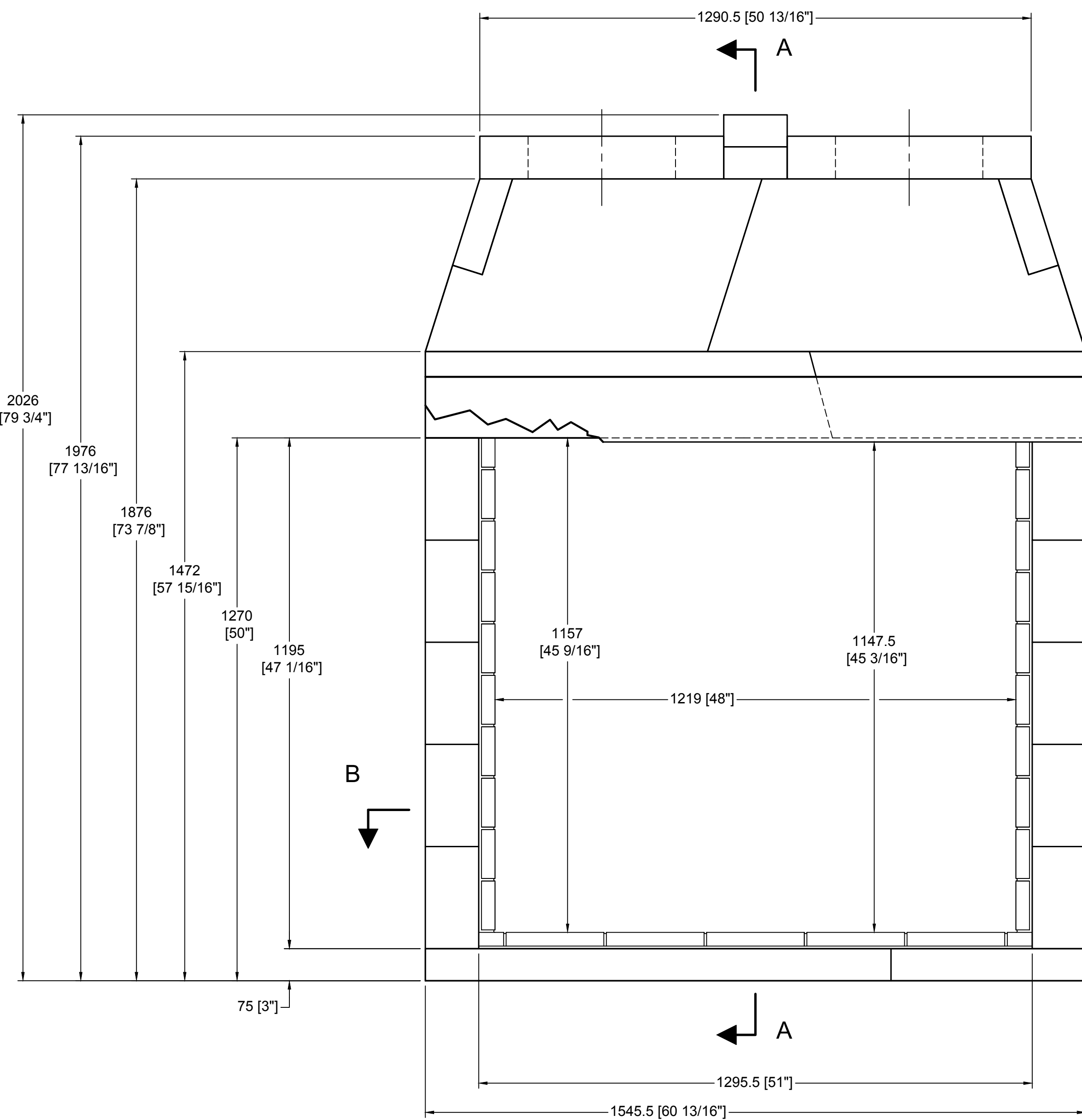


TOP VIEW

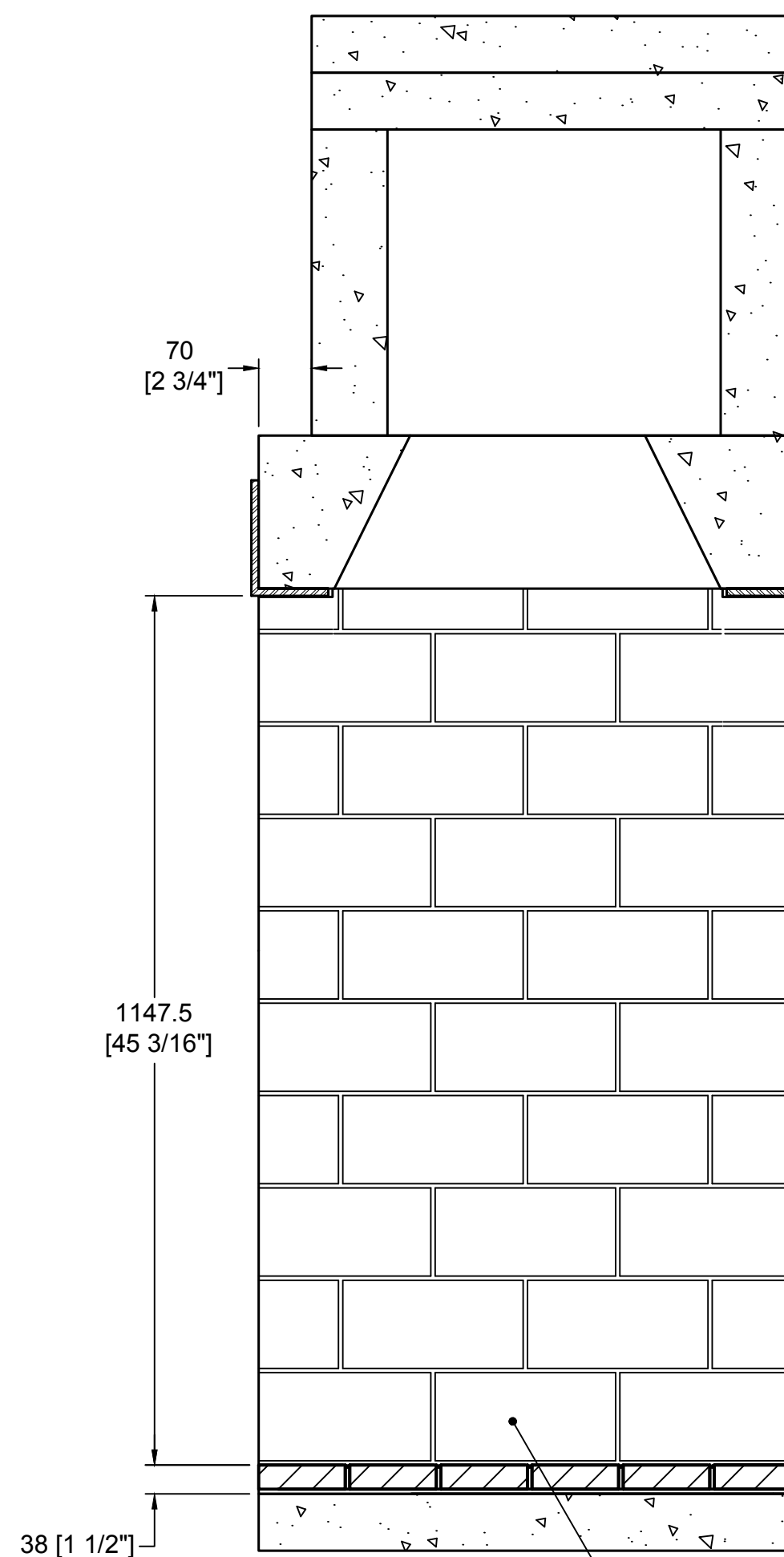


SECTION B-B
HORIZONTAL FIREBRICK SECTION

MINIMUM 1/4" THICK
FIREBRICK W/ 1/4" MORTAR

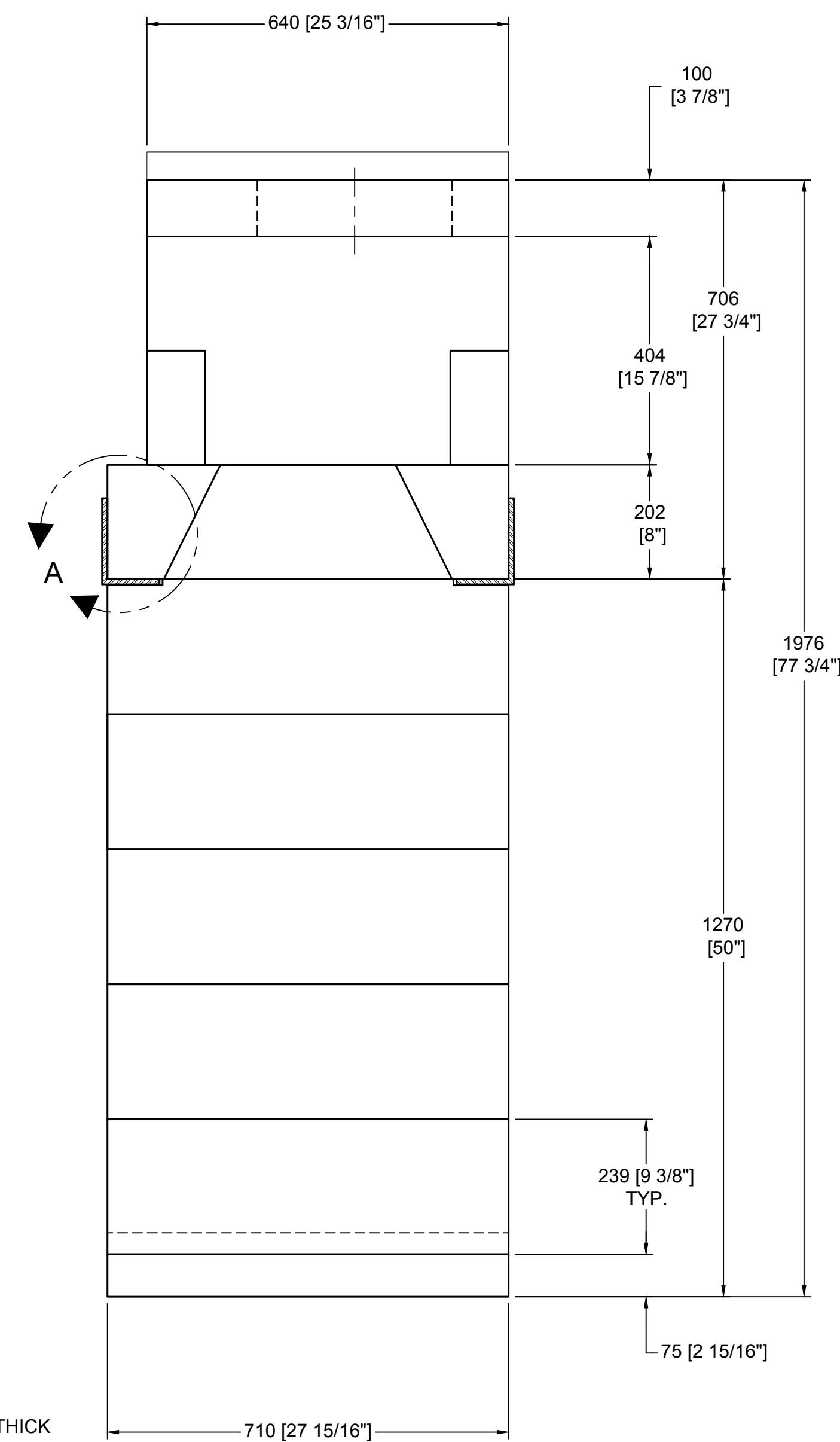


FRONT VIEW



SECTION A-A
HORIZONTAL FIREBRICK DETAIL

MINIMUM 1/4" THICK
FIREBRICK W/ 1/4" MORTAR



RIGHT-SIDE VIEW

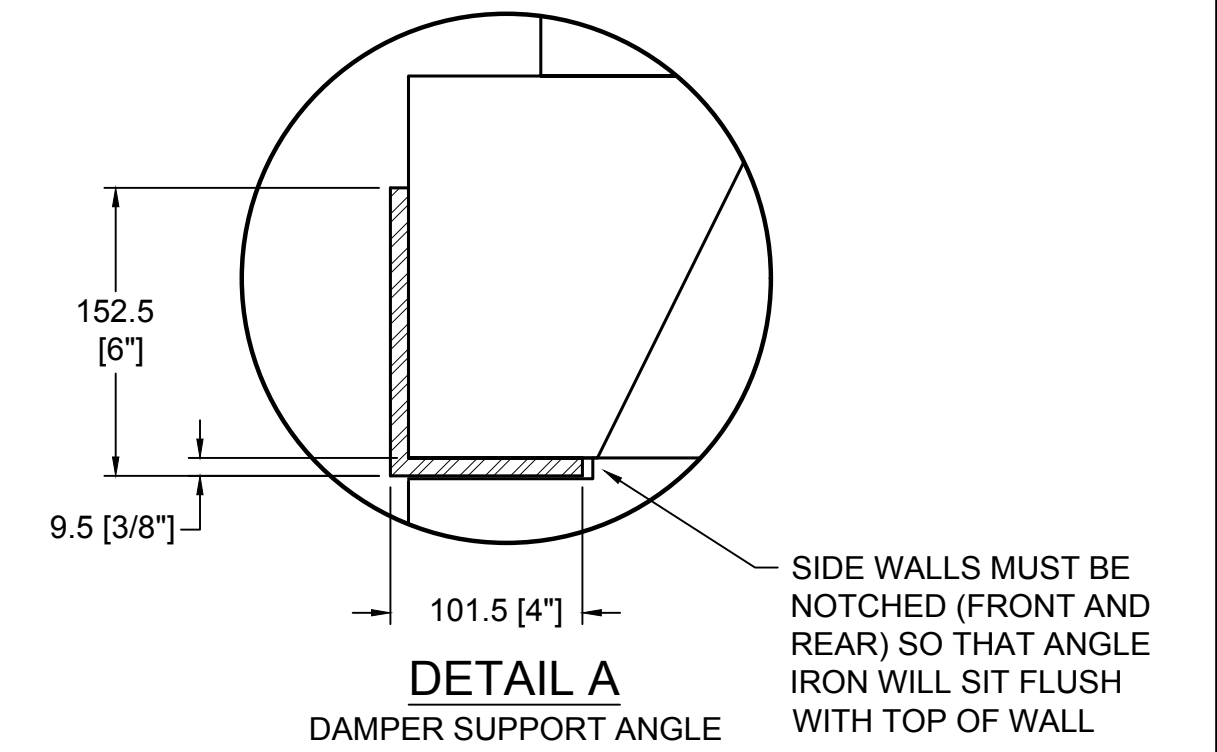
COMPONENT LIST

PART #	DESCRIPTION	QTY.
11(CC)	CUSTOM CUT SMOKE DOME	2
19	SMOKE DOME	2
34	TOP SLOPING	2
36S	TOP PLATE	2
M66	BACKWALL-42" (MAG)	10
68	DAMPER BEAM-42"	2
74	DAMPER BEAM-60 MAG	2
M91	BASEPLATE	2
M94L/R	DAMPER END L/R (MAG)	1 EACH
100	4"x6"x 3/8" THICK ANGLE IRON; NOT SUPPLIED	2

GENERAL NOTES

- THIS IS A CUSTOM ISOKERN FIREPLACE AND CARRIES NO LISTING, UL OR OTHERWISE.
- MECHANICAL VENTILATION ASSISTANCE MAY BE REQUIRED FOR THIS DESIGN.
- 4" COMBUSTION AIR INLET KITS ARE REQUIRED BY EARTHORE AND MAY HELP IMPROVE FIREPLACE OPERATION IN HOMES TIGHTLY SEALED AND WITH OTHER VENTILATING APPLIANCES INSTALLED. IF THE INSTALLATION IS TO BE LONGER THAN TEN FEET (10'), THEN THE SIX INCH (6") ADAPTER WILL BE NEEDED. THIS ADAPTER WILL ATTACH TO THE EXISTING FOUR INCH (4") SLEEVE OUTSIDE OF THE UNIT. THE SIX INCH ADAPTER INCLUDES AN ADDITIONAL TWENTY FEET OF 6" FLEX HOSE, FOR A MAXIMUM RUN OF THIRTY FEET (30').
- DRAWINGS ARE FOR DESIGN PURPOSES ONLY AND ARE THE SOLE PROPERTY OF EARTHORE INDUSTRIES. ANY REPRODUCTION OR UNAUTHORIZED USE IS STRICTLY PROHIBITED.
- EARTHORE/ ISOKERN OR ANY DIVISION THEREOF SHALL NOT BE HELD LIABLE FOR ANY INCIDENTAL OR CONSEQUENTIAL DAMAGES OR EXPENSES ARISING OUT OF THE USE OF THE FIREPLACES OR CHIMNEY SYSTEMS.
- ALWAYS CHECK LOCAL BUILDING CODES GOVERNING FIREPLACES AND FIREPLACE INSTALLATIONS.

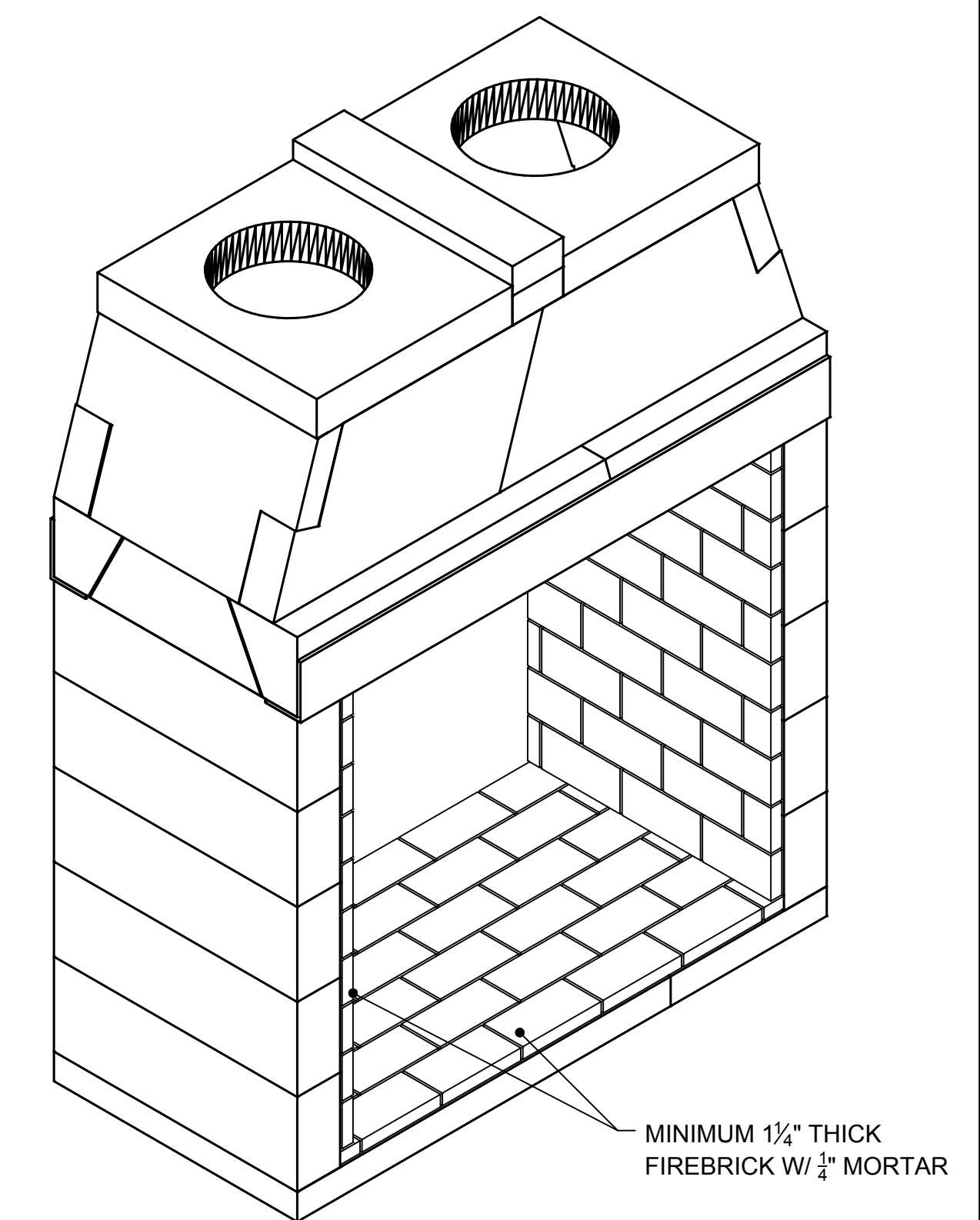
DETAILS (N.T.S)



DETAIL A
DAMPER SUPPORT ANGLE

SIDE WALLS MUST BE NOTCHED (FRONT AND REAR) SO THAT ANGLE IRON WILL SIT FLUSH WITH TOP OF WALL

ISOMETRIC VIEW (N.T.S)



MINIMUM 1/4" THICK
FIREBRICK W/ 1/4" MORTAR



UNLESS OTHERWISE STATED, ALL DIMENSIONS ARE IN MILLIMETERS		PROJECT: 48" MAGNUM-SEE THRU-TALL	
THIRD ANGLE PROJECTION		DESCRIPTION: FIREPLACE CONSTRUCTION DOCUMENT	
MATERIAL: E.C. PUMICE MIXTURE	DATE: 5/3/2018	SCALE: 1-1/2"=1'-0"	DRAWING #: 82048ST-B
DRAWN: K.B.H.	DATE: 5/3/2018	SIZE: D	SHEET # 1 OF 1
APPROVED:	DATE:	DO NOT SCALE	