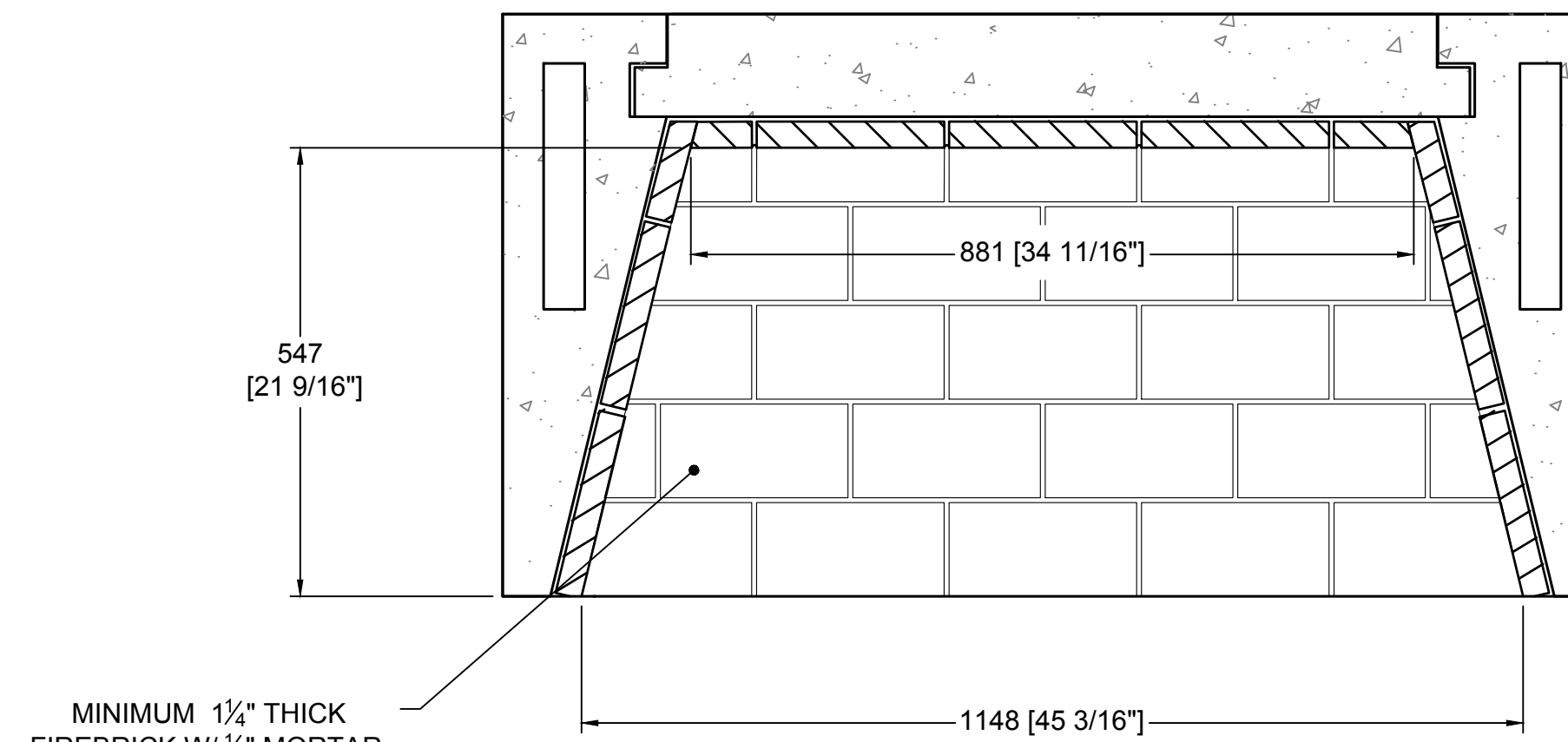
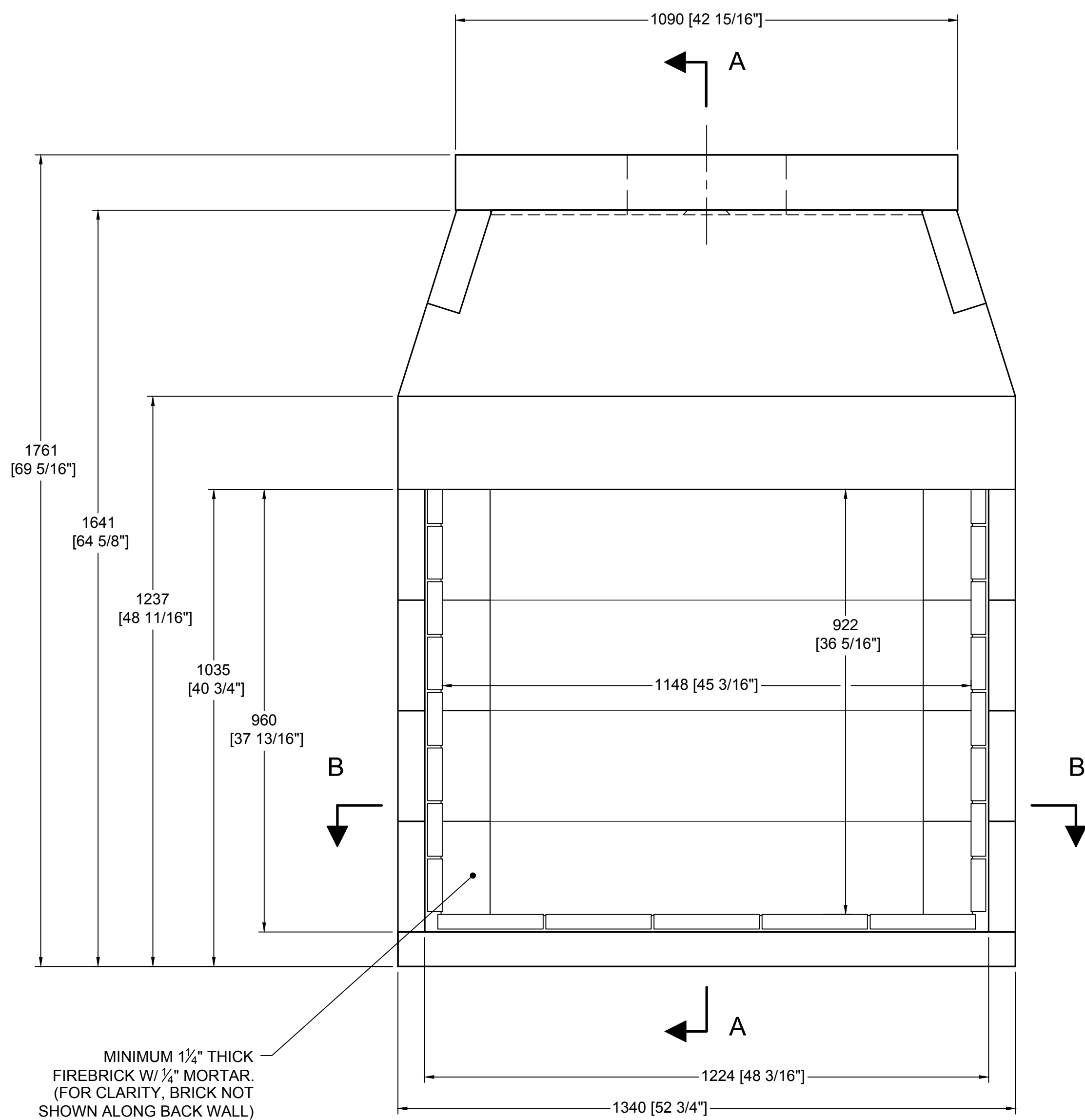


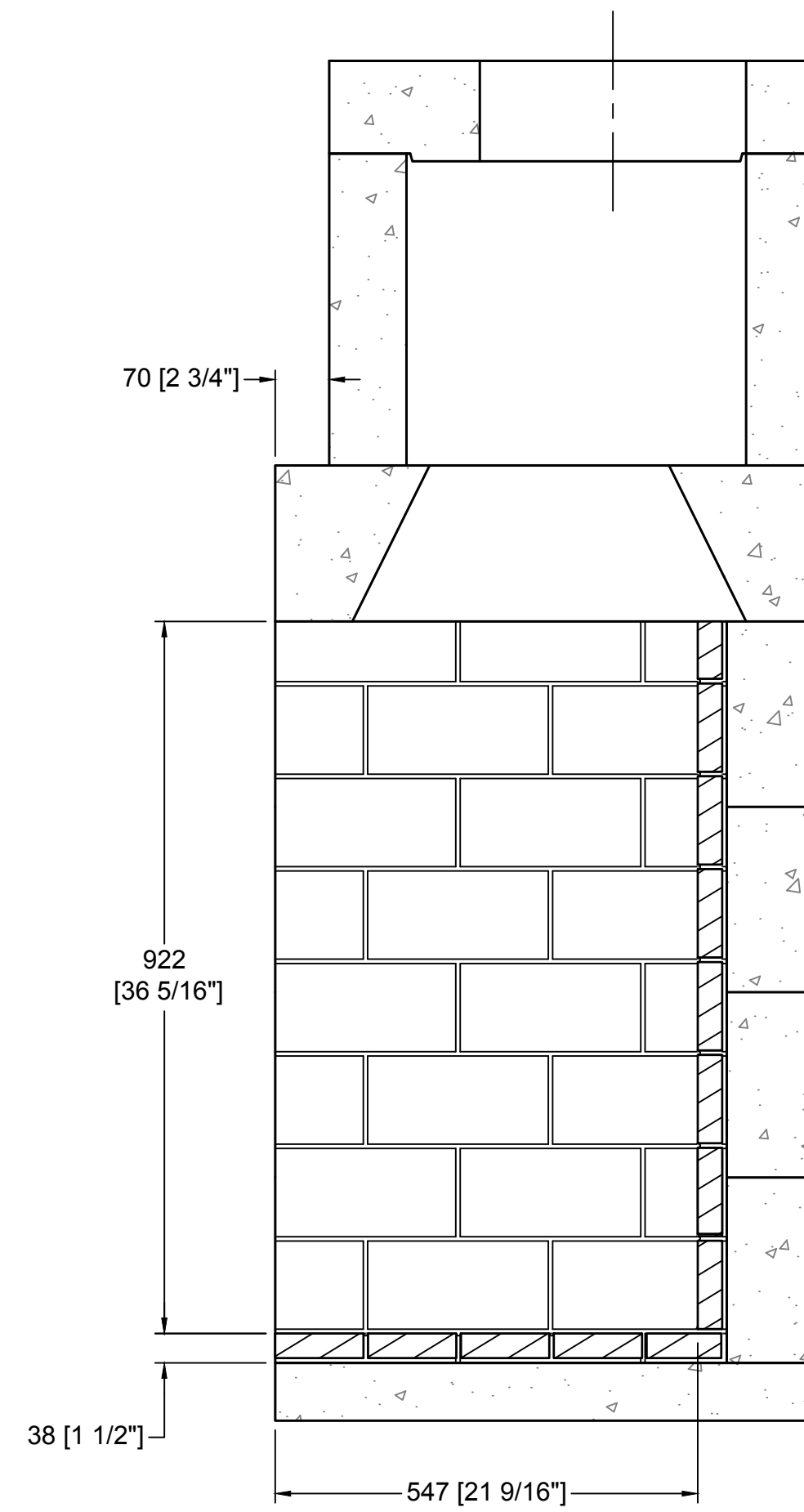
TOP VIEW



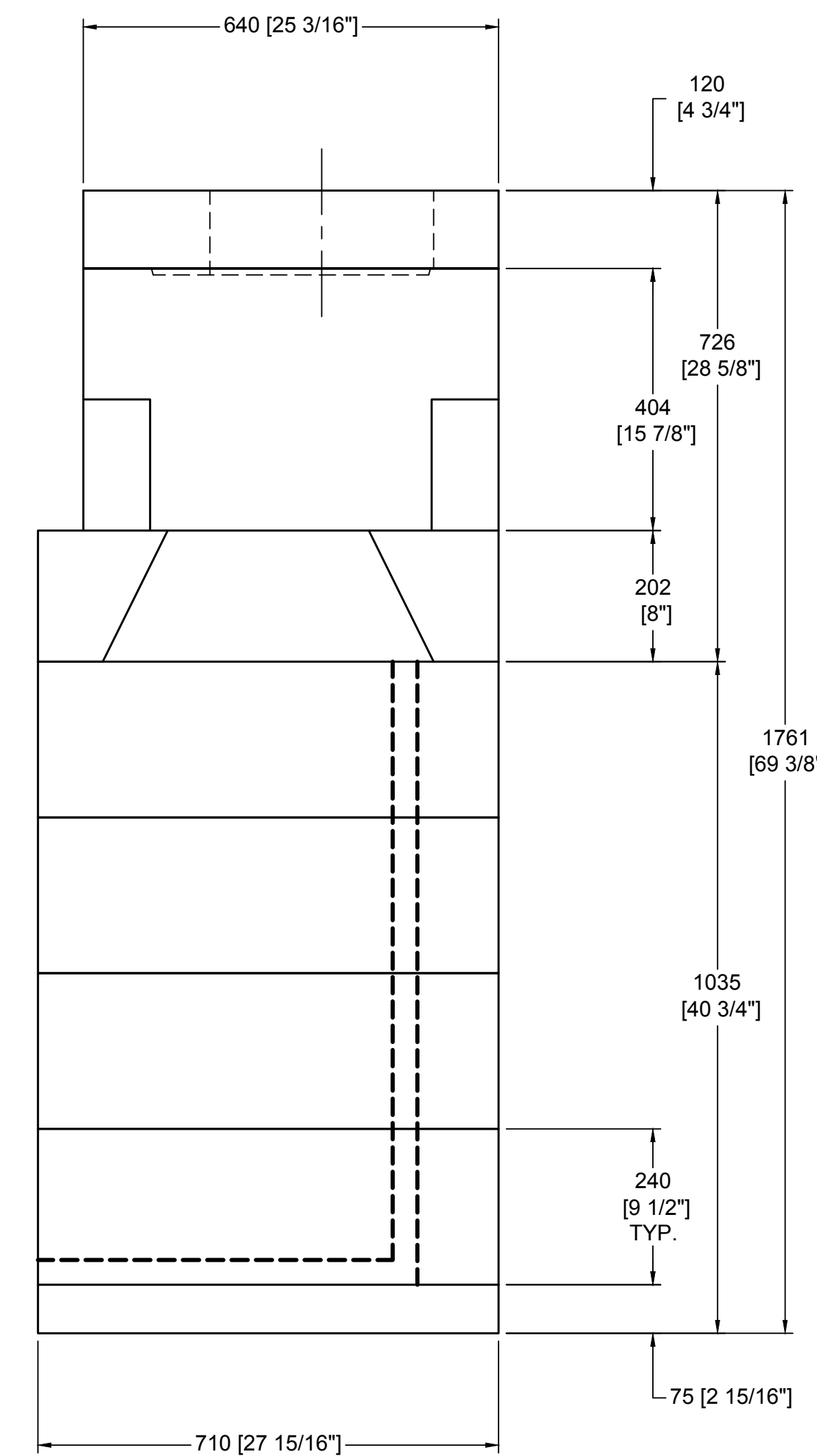
SECTION B-B
HORIZONTAL FIREBRICK DETAIL



FRONT VIEW



SECTION A-A
VERTICAL FIREBRICK DETAIL



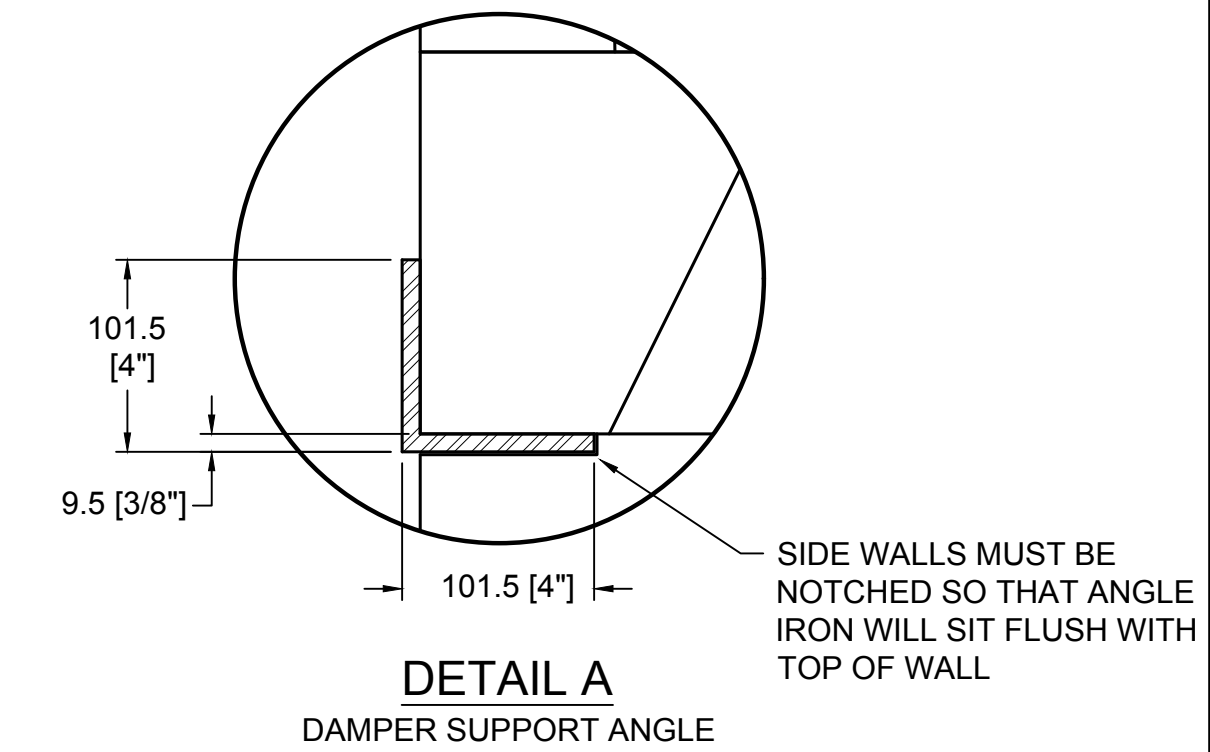
RIGHT-SIDE VIEW

COMPONENT LIST		
PART #	DESCRIPTION	QTY.
13	SMOKE DOME (MIDDLE)	2
34	TOP SLOPING	2
M67	BACKWALL-48" (MAG)	4
70	DAMPER BEAM-48"	2
81A	TOP PLATE W/345mm HOLE (MAG)	1
M90	SIDEWALL (MAG)	8
M93	BASEPLATE-48" (MAG)	1
M94/L/R	DAMPER END L/R (MAG)	2 (1 EACH)

GENERAL NOTES

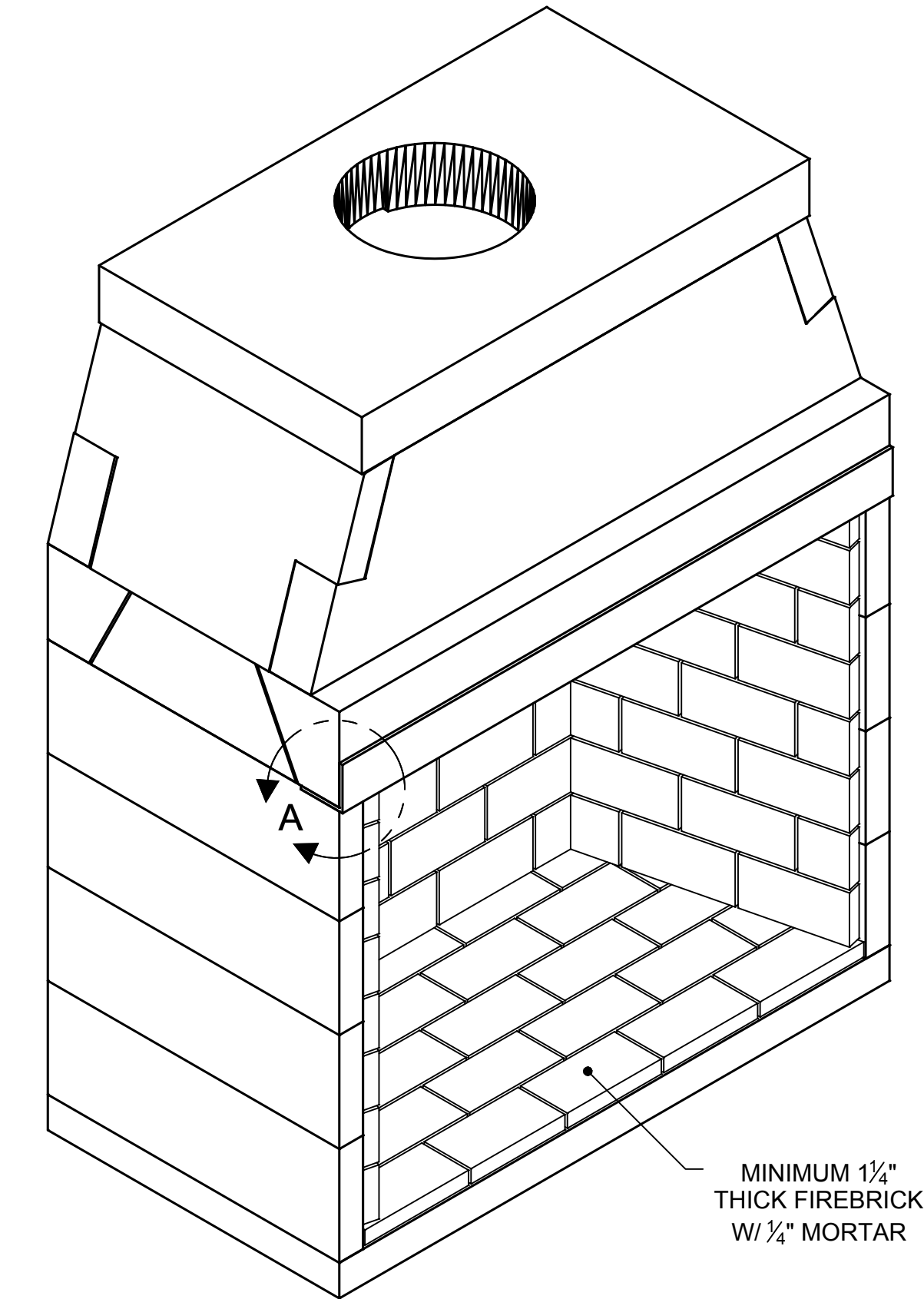
1. DRAWINGS ARE FOR DESIGN PURPOSES ONLY AND ARE THE SOLE PROPERTY OF EARTHCORE INDUSTRIES. ANY REPRODUCTION OR UNAUTHORIZED USE IS STRICTLY PROHIBITED.
2. EARTHCORE/ ISOKERN OR ANY DIVISION THEREOF SHALL NOT BE HELD LIABLE FOR ANY INCIDENTAL OR CONSEQUENTIAL DAMAGES OR EXPENSES ARISING OUT OF THE USE OF THE FIREPLACES OR CHIMNEY SYSTEMS.
3. ALWAYS CHECK LOCAL BUILDING CODES GOVERNING FIREPLACES AND FIREPLACE INSTALLATIONS.
4. 4" COMBUSTION AIR INLET KITS ARE REQUIRED BY EARTHCORE AND MAY HELP IMPROVE FIREPLACE OPERATION IN HOMES TIGHTLY SEALED AND WITH OTHER VENTILATING APPLIANCES INSTALLED. IF THE INSTALLATION IS TO BE LONGER THAN TEN FEET (10'), THEN THE SIX INCH (6") ADAPTER WILL BE NEEDED. THIS ADAPTER WILL ATTACH TO THE EXISTING FOUR INCH (4") SLEEVE OUTSIDE OF THE UNIT. THE SIX INCH ADAPTER INCLUDES AN ADDITIONAL TWENTY FEET OF 6" FLEX HOSE, FOR A MAXIMUM RUN OF THIRTY FEET (30').

DETAILS (N.T.S.)



DETAIL A
DAMPER SUPPORT ANGLE

ISOMETRIC VIEW (N.T.S.)



NOTE: WHENEVER THE MAXIMUM DM CHIMNEY HEIGHT OF 57' IS EXCEEDED, OR IN ANY INSTANCE WHERE THE ISOKERN BRICK LEDGE IS USED, IT IS REQUIRED THAT THE FIREBOX/SMOKE DOME ASSEMBLY INCLUDE THE PLACEMENT OF A 4" BY 4" BY 3/8" MINIMUM STEEL ANGLE ACROSS THE FIREBOX OPENING. (SEE DETAIL A)



UNLESS OTHERWISE STATED, ALL DIMENSIONS ARE IN MILLIMETERS		THIRD ANGLE PROJECTION		PROJECT: 48" MAGNUM	
ANG.	X ±	DESCRIPTION:	FIREPLACE CONSTRUCTION DOCUMENT	MATERIAL:	E.C. PUMICE MIXTURE
LIN.	X ±	DRAWN:	K.B.H.	DATE:	5/3/2018
	XX ±	APPROVED:		SCALE:	1-1/2"=1'-0"
				DRAWING #:	82048
				SHEET #	1 OF 1