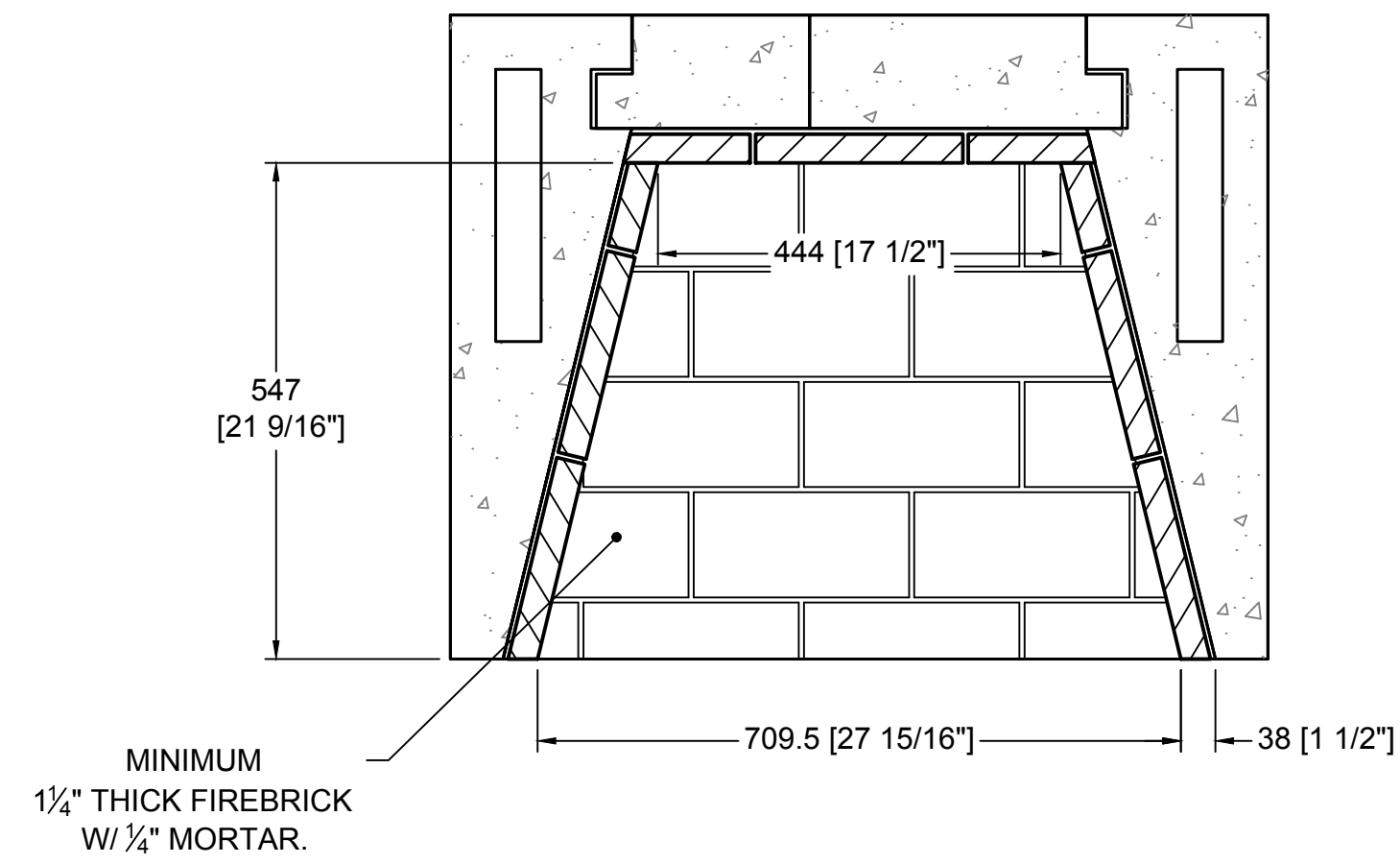
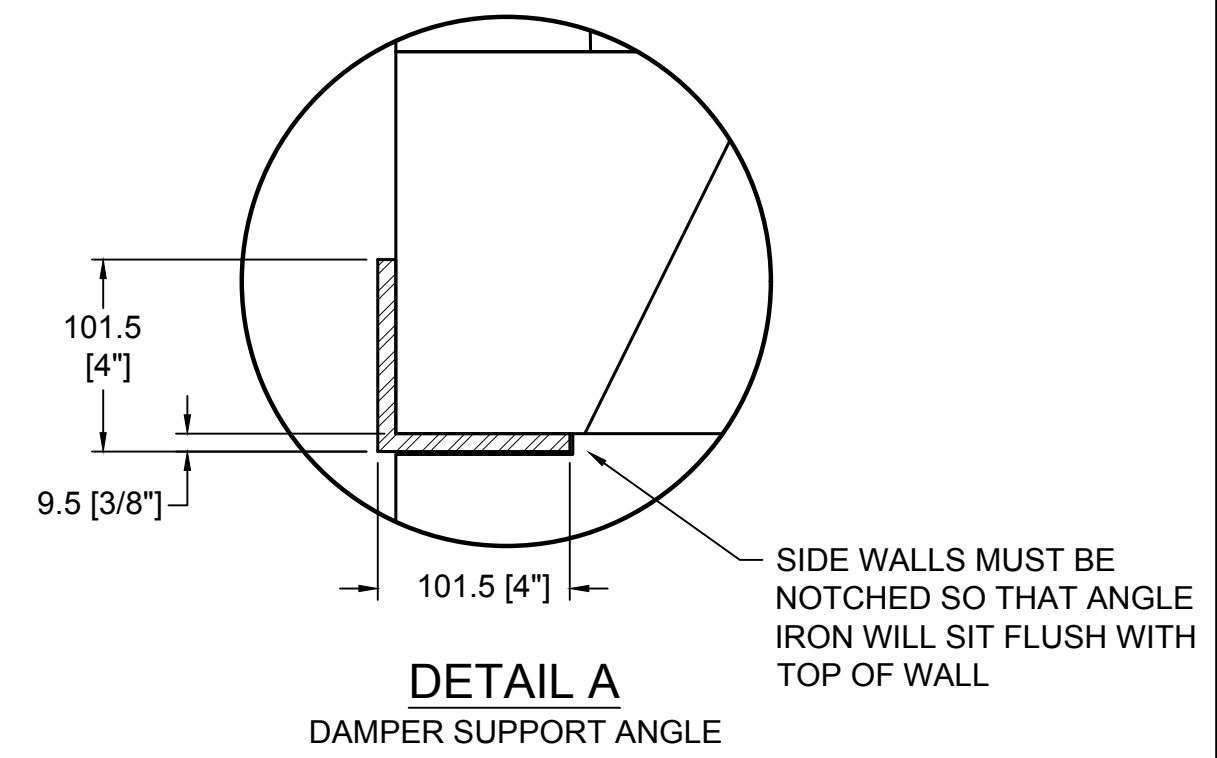


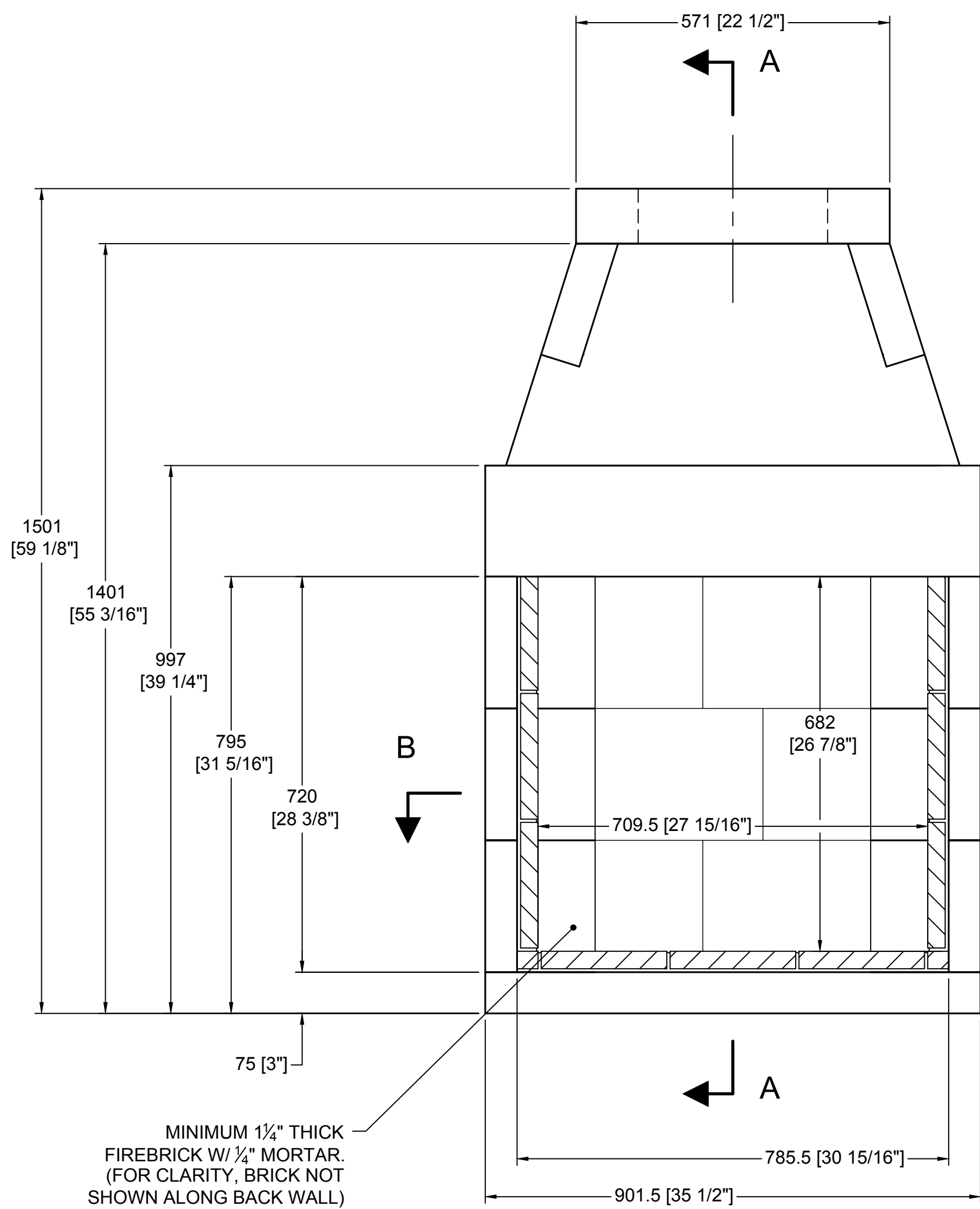
TOP VIEW



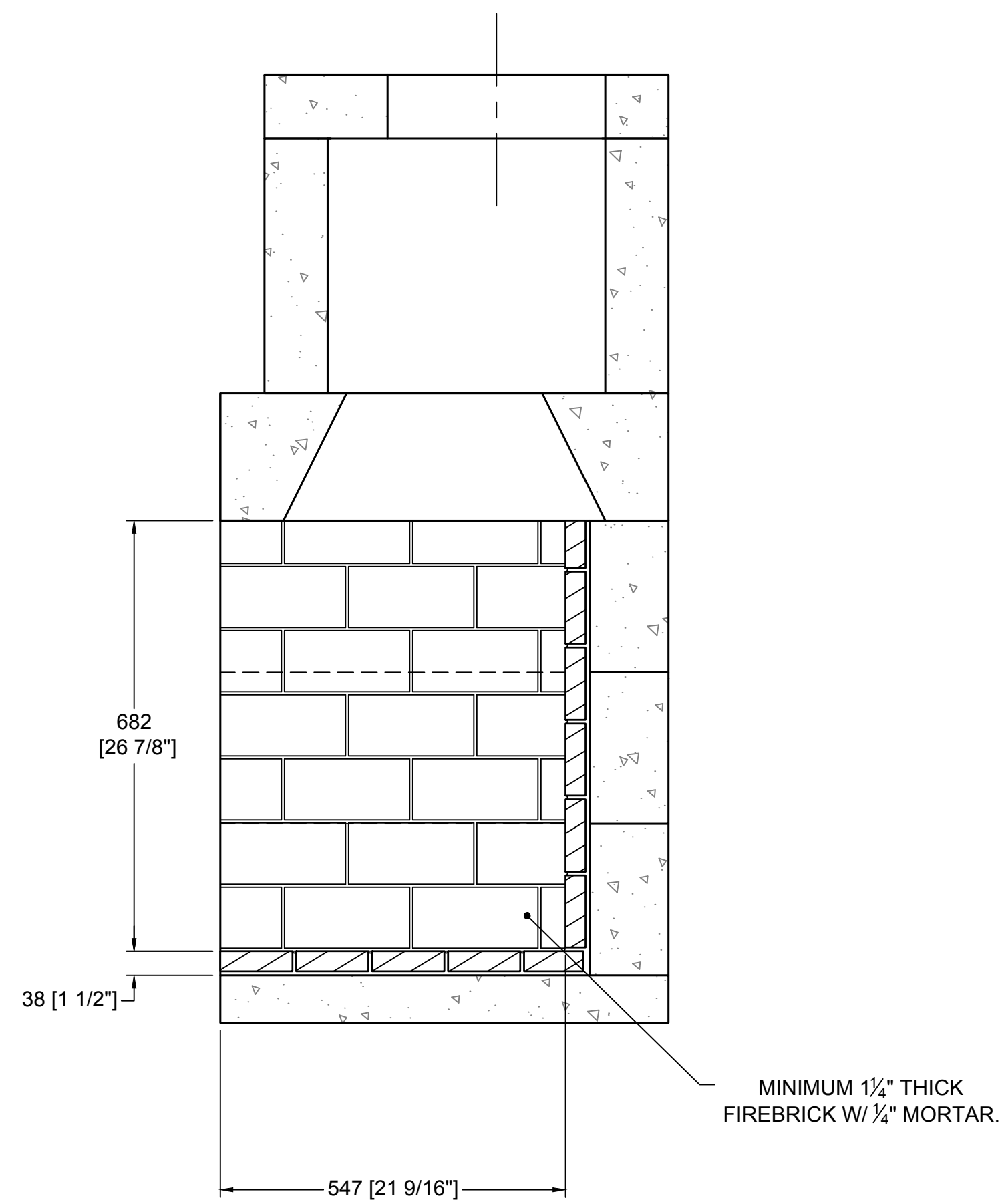
SECTION B-B
HORIZONTAL FIREBRICK DETAIL



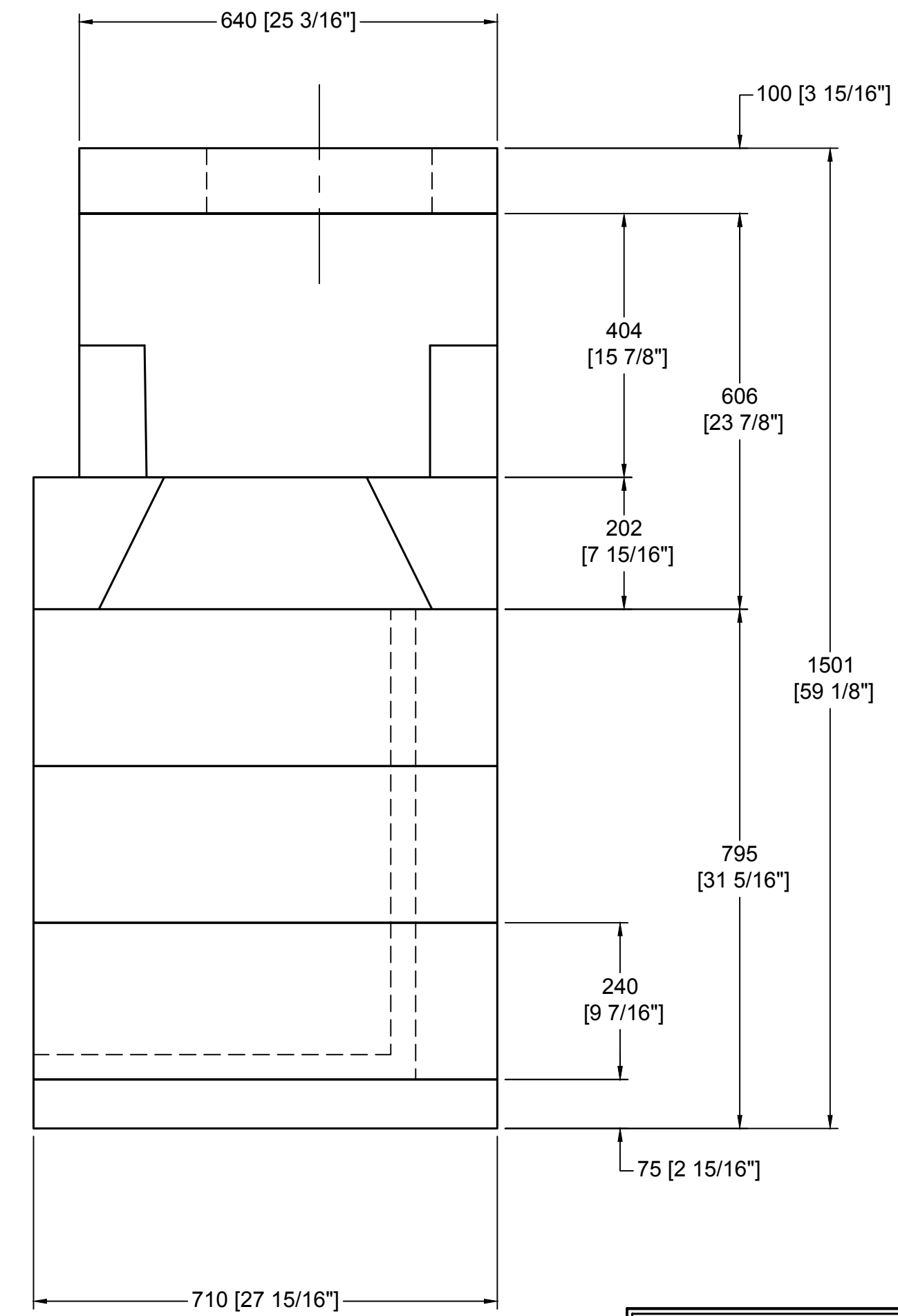
DETAIL A
DAMPER SUPPORT ANGLE



FRONT VIEW



SECTION A-A
VERTICAL FIREBRICK DETAIL



RIGHT SIDE VIEW

COMPONENT LIST

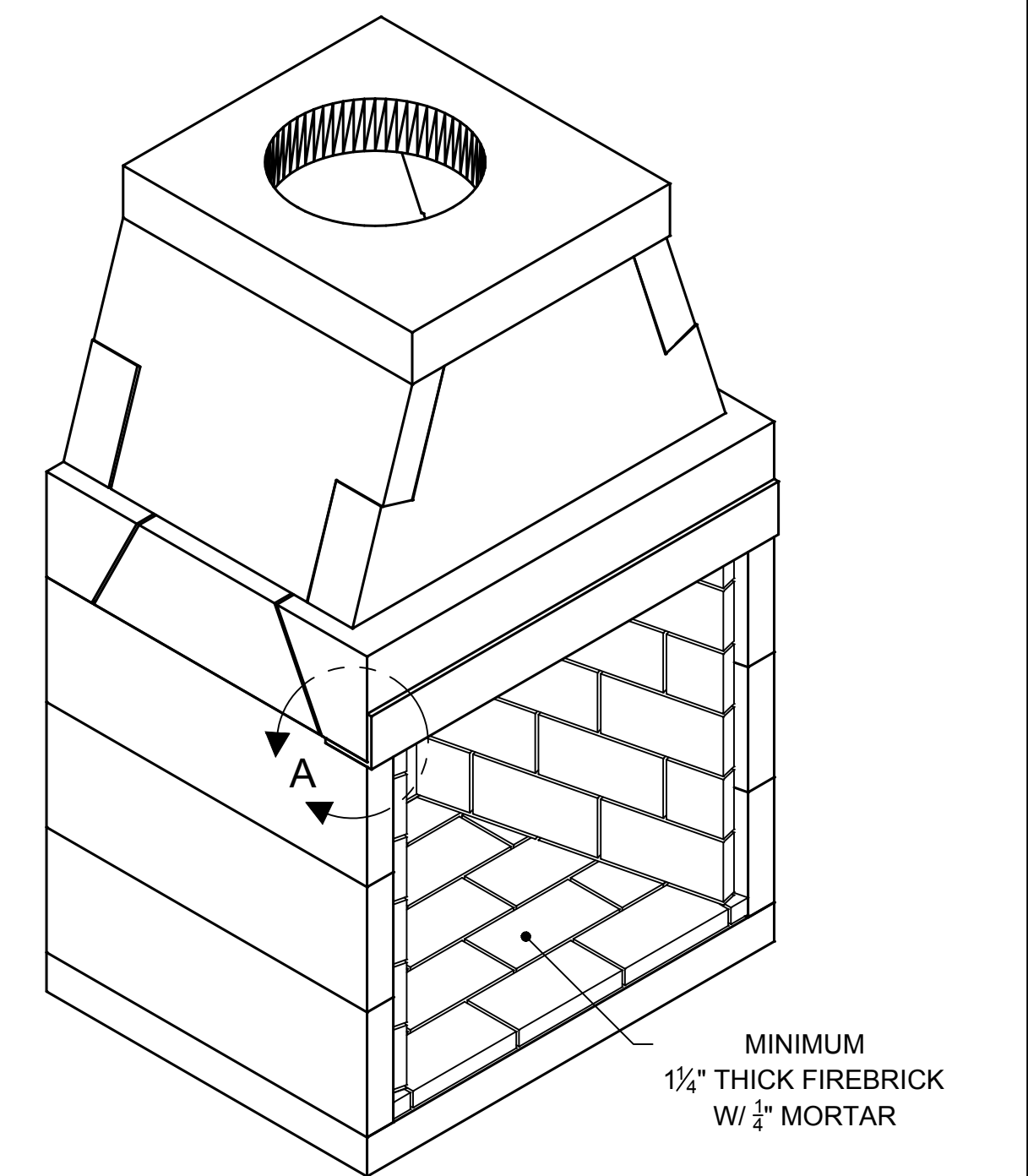
PART #	DESCRIPTION	QTY.
12	SMOKE DOME (SMALL)	2
34	TOP SLOPING	2
M65	BACKWALL-36" (MAG)	6
68	DAMPER BEAM-36"	2
36S	TOP PLATE W/345mm HOLE	1
M90	SIDEWALL (MAG)	6
M91	BASEPLATE-36" (MAG)	1
M94L/R	DAMPER END L/R (MAG)	2(1 EACH)

GENERAL NOTES

- DRAWINGS ARE FOR DESIGN PURPOSES ONLY AND ARE THE SOLE PROPERTY OF EARTH CORE INDUSTRIES. ANY REPRODUCTION OR UNAUTHORIZED USE IS STRICTLY PROHIBITED.
- EARTH CORE/ISOKERN OR ANY DIVISION THEREOF SHALL NOT BE HELD LIABLE FOR ANY INCIDENTAL OR CONSEQUENTIAL DAMAGES OR EXPENSES ARISING OUT OF THE USE OF THE FIREPLACES OR CHIMNEY SYSTEMS.
- ALWAYS CHECK LOCAL BUILDING CODES GOVERNING FIREPLACES AND FIREPLACE INSTALLATIONS.
- 4" COMBUSTION AIR INLET KITS ARE REQUIRED BY EARTH CORE AND MAY HELP IMPROVE FIREPLACE OPERATION IN HOMES TIGHTLY SEALED AND WITH OTHER VENTILATING APPLIANCES INSTALLED. IF THE INSTALLATION IS TO BE LONGER THAN TEN FEET (10'), THEN THE SIX INCH (6") ADAPTER WILL BE NEEDED. THIS ADAPTER WILL ATTACH TO THE EXISTING FOUR INCH (4") SLEEVE OUTSIDE OF THE UNIT. THE SIX INCH ADAPTER INCLUDES AN ADDITIONAL TWENTY FEET OF 6" FLEX HOSE, FOR A MAXIMUM RUN OF THIRTY FEET (30').

DETAILS (N.T.S)

ISOMETRIC VIEW (N.T.S)



NOTE: WHENEVER THE MAXIMUM DM CHIMNEY HEIGHT OF 57' IS EXCEEDED, OR IN ANY INSTANCE WHERE THE ISOKERN BRICK LEDGE IS USED, IT IS REQUIRED THAT THE FIREBOX/SMOKE DOME ASSEMBLY INCLUDE THE PLACEMENT OF A 4" BY 4" BY 3/8" MINIMUM STEEL ANGLE ACROSS THE FIREBOX OPENING. (SEE DETAIL A)



UNLESS OTHERWISE STATED, ALL DIMENSIONS ARE IN MILLIMETERS		PROJECT: 28" MAGNUM (82o28)	
UNSPECIFIED TOLERANCES	THIRD ANGLE PROJECTION	DESCRIPTION: FIREPLACE CONSTRUCTION DOCUMENT	
ANG. X ±		MATERIAL: E.C. PLUMICE MIXTURE	SIZE: SCALE: DRAWING #:
LIN. X ±		DATE: 5/3/2018	1-1/2"=1'-0" 82o28
X ±		DRAWN: K.B.H.	APPROVED: DATE:
XX ±			
		DO NOT SCALE	SHEET # 1 OF 1