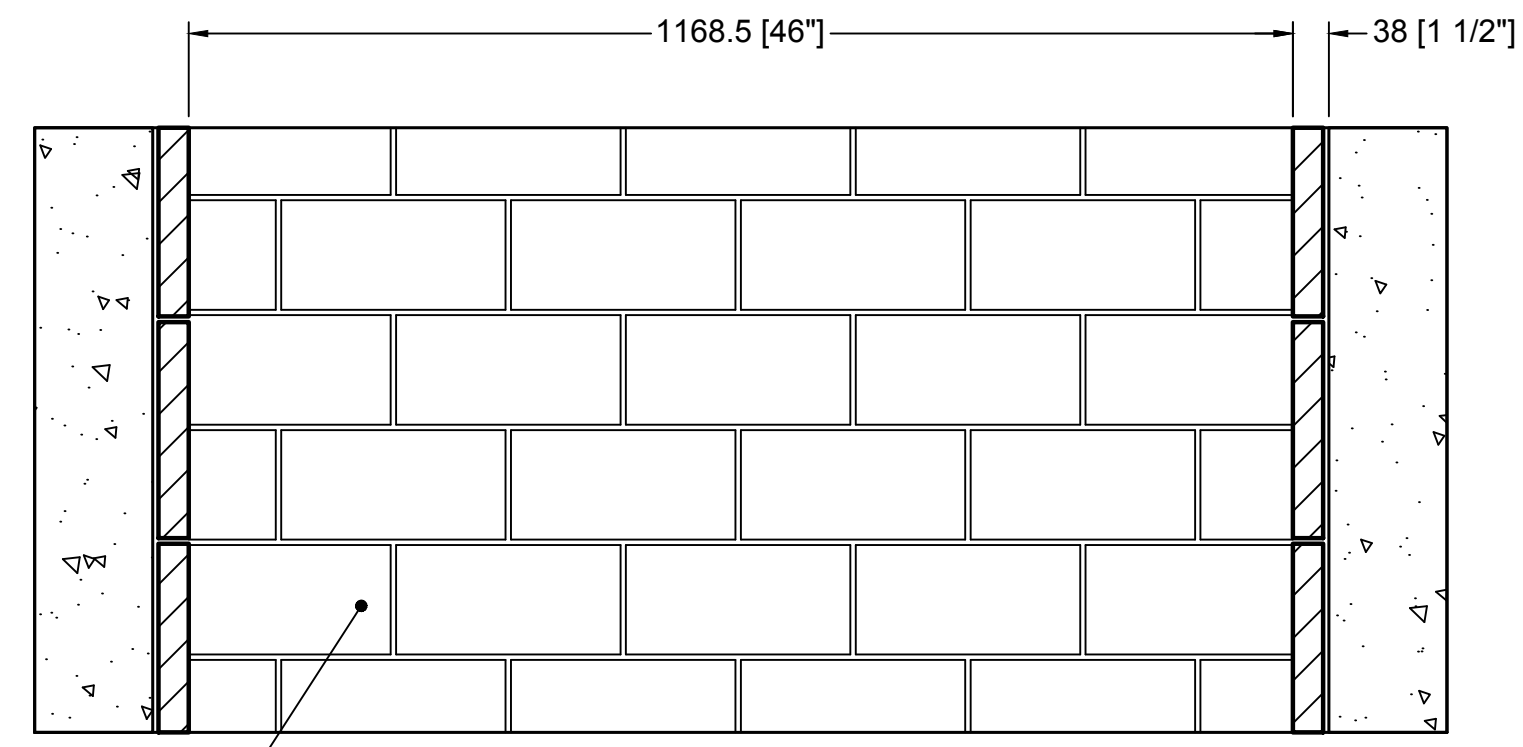
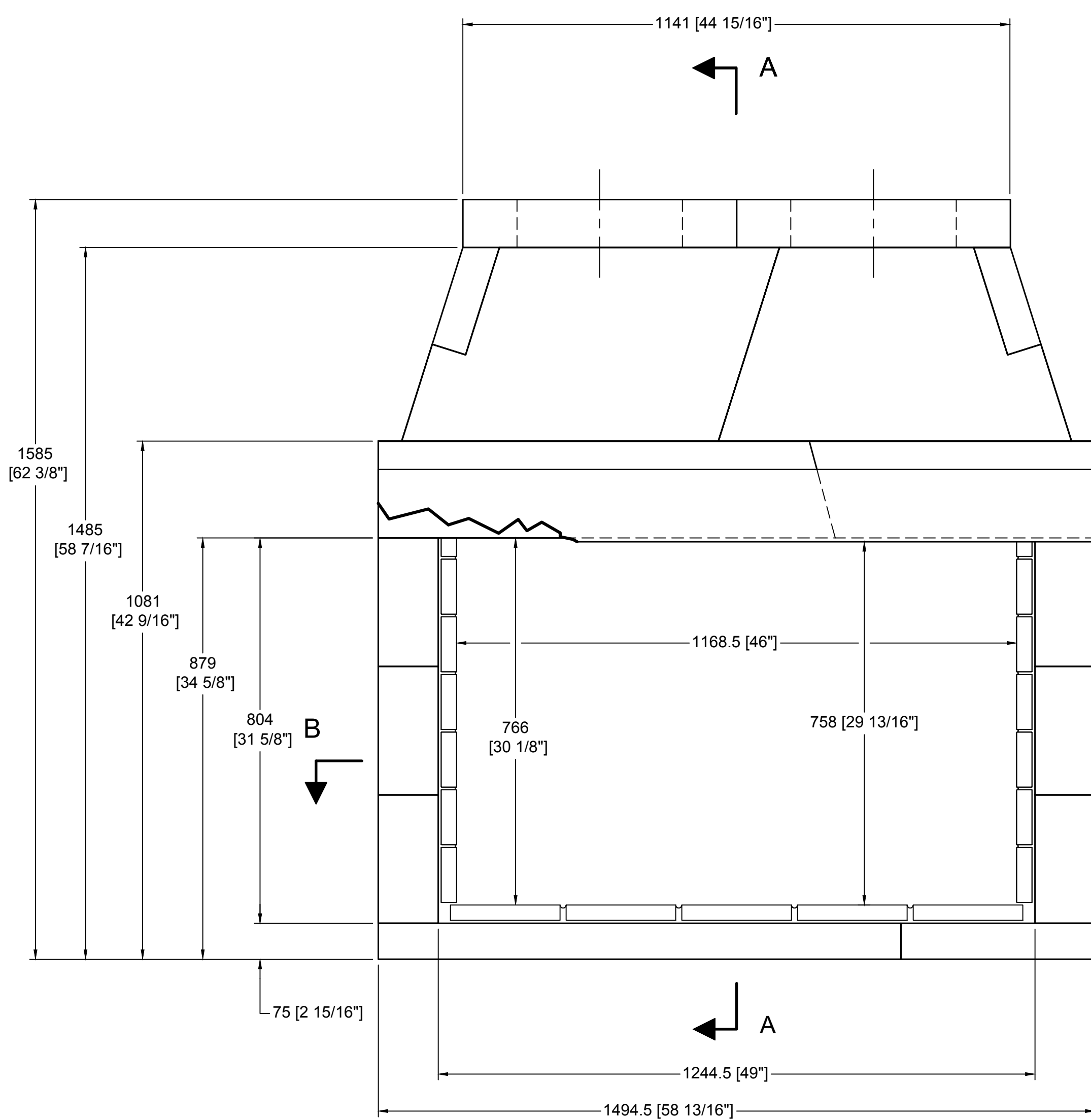


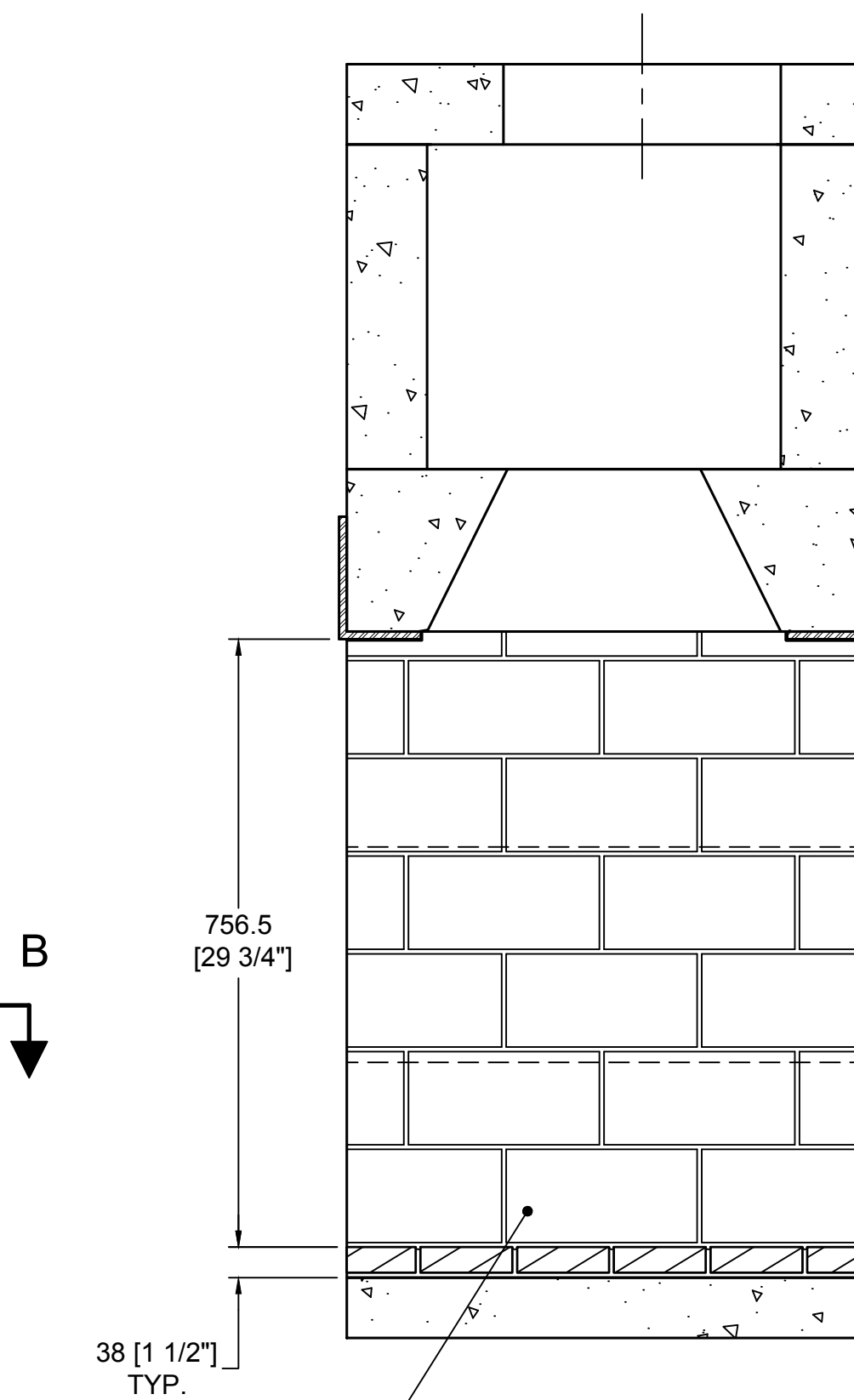
TOP VIEW



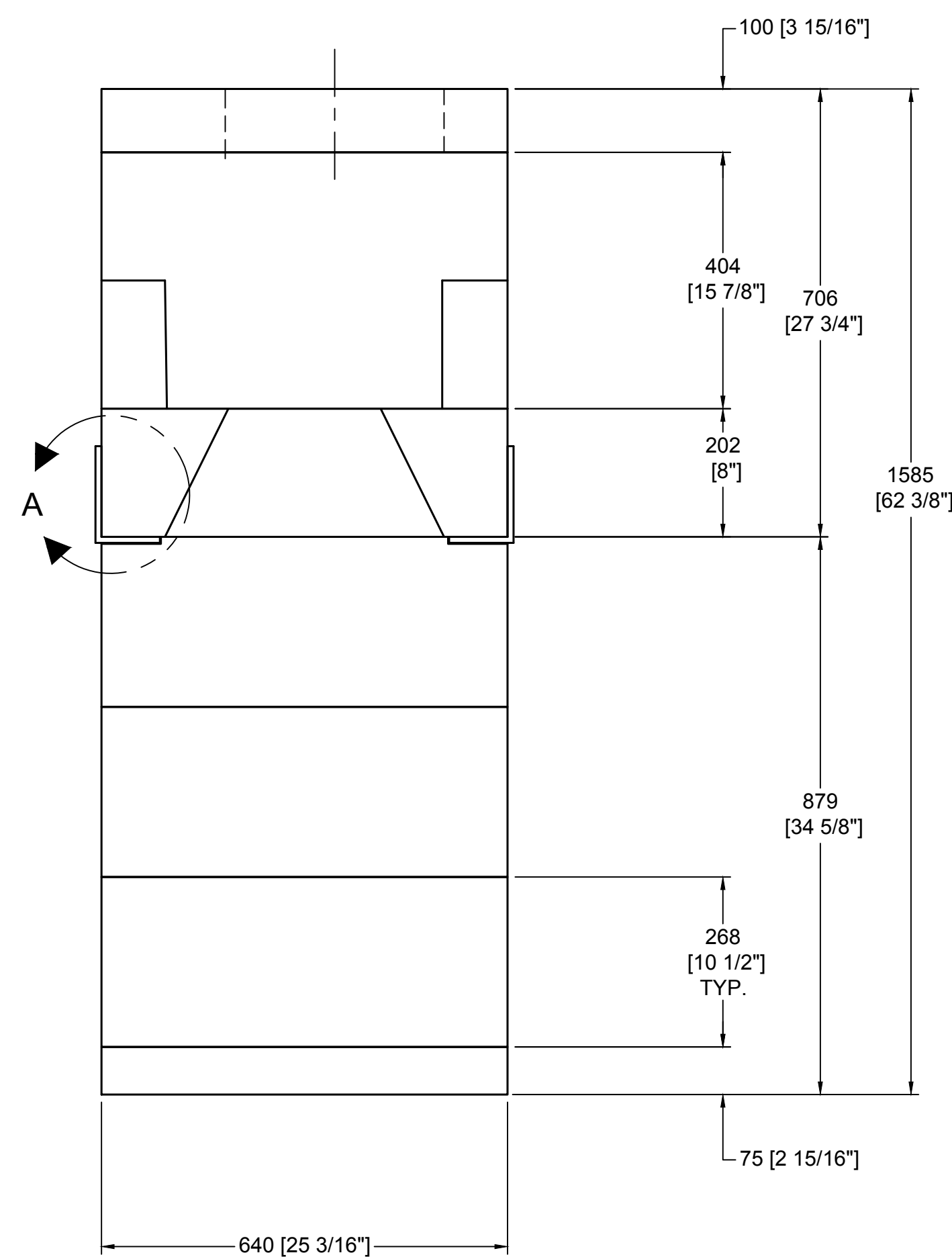
SECTION B-B  
HORIZONTAL FIREBRICK DETAIL



FRONT VIEW



SECTION A-A  
VERTICAL FIREBRICK DETAIL



RIGHT-SIDE VIEW

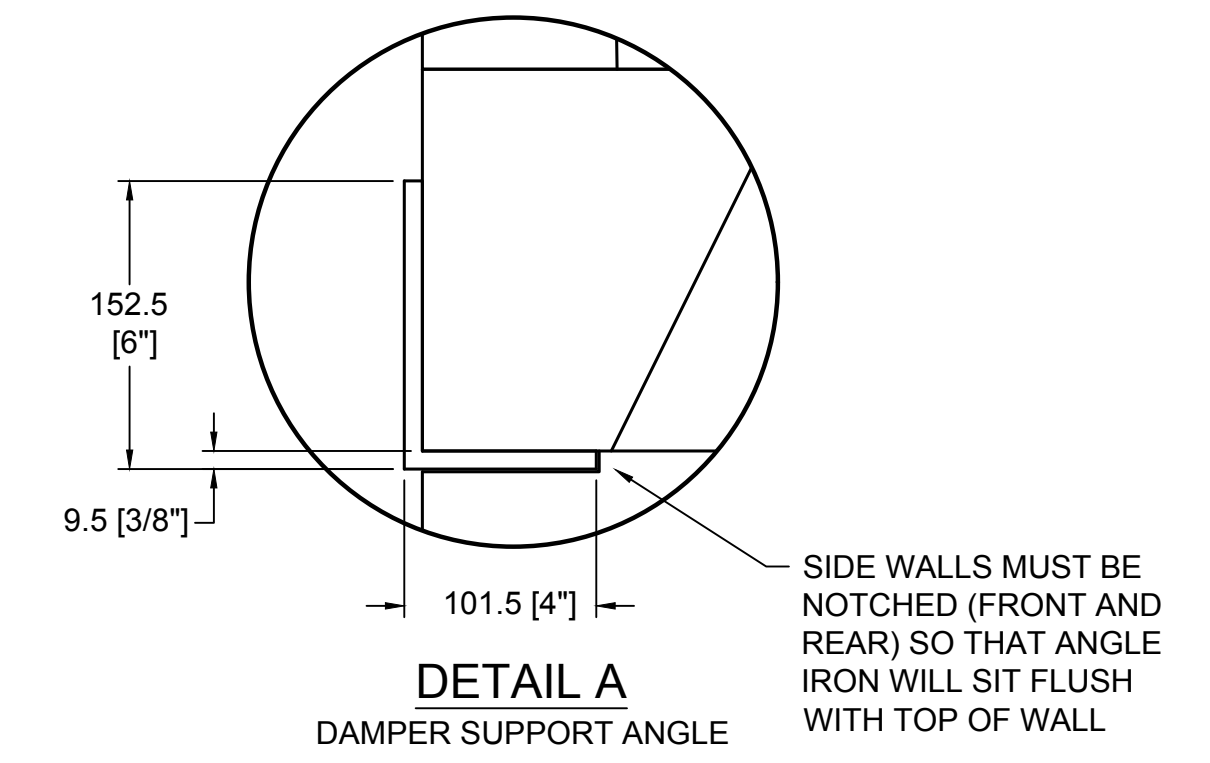
COMPONENT LIST

PART #	DESCRIPTION	QTY.
12	SMOKE DOME (SMALL)	2
19	SMOKE DOME (72" MAG)	2
21	BASEPLATE (36" STD)	2
25	BACK WALL (36" STD)	6
34	TOP SLOPING	2
36S	TOP PLATE W/ 345 mm HOLE	2
68	DAMPER BEAM (36")	2
74	DAMPER BEAM (60" MAG)	2
95L/R	DAMPER END L/R (STD)	2(1 EACH)
100	4 x 6 x 3/8" STEEL ANGLE; NOT SUPPLIED BY EARTHCORE	2

GENERAL NOTES

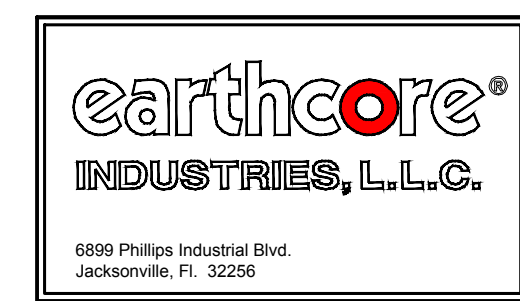
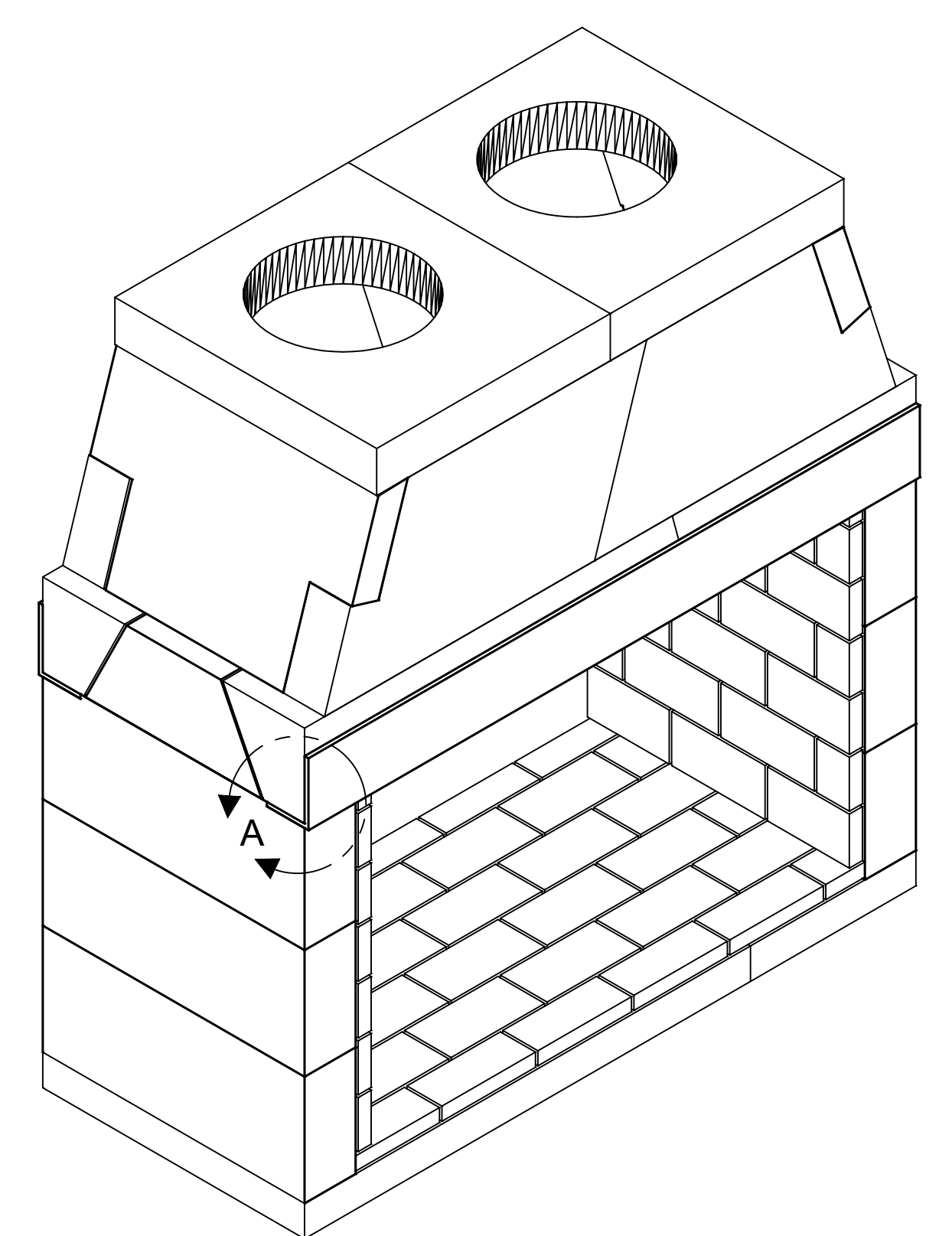
- THIS IS A CUSTOM ISOKERN FIREPLACE AND CARRIES NO LISTING, UL OR OTHERWISE.
- DRAWINGS ARE FOR DESIGN PURPOSES ONLY AND ARE THE SOLE PROPERTY OF EARTHCORE INDUSTRIES. ANY REPRODUCTION OR UNAUTHORIZED USE IS STRICTLY PROHIBITED.
- EARTHCORE/ ISOKERN OR ANY DIVISION THEREOF SHALL NOT BE HELD LIABLE FOR ANY INCIDENTAL OR CONSEQUENTIAL DAMAGES OR EXPENSES ARISING OUT OF THE USE OF THE FIREPLACES OR CHIMNEY SYSTEMS.
- ALWAYS CHECK LOCAL BUILDING CODES GOVERNING FIREPLACES AND FIREPLACE INSTALLATIONS.
- COMBUSTION AIR INLET KITS ARE REQUIRED BY EARTHCORE AND MAY HELP IMPROVE FIREPLACE OPERATION IN HOMES TIGHTLY SEALED AND WITH OTHER VENTILATING APPLIANCES INSTALLED. IF THE INSTALLATION IS TO BE LONGER THAN TEN FEET (10'), THEN THE SIX INCH (6") ADAPTER WILL BE NEEDED. THIS ADAPTER WILL ATTACH TO THE EXISTING FOUR INCH (4") SLEEVE OUTSIDE OF THE UNIT. THE SIX INCH ADAPTER INCLUDES AN ADDITIONAL TWENTY FEET OF 6" FLEX HOSE, FOR A MAXIMUM RUN OF THIRTY FEET (30').

DETAILS (N.T.S)



DETAIL A  
DAMPER SUPPORT ANGLE

COMPONENT CALLOUT (N.T.S)



UNLESS OTHERWISE STATED, ALL DIMENSIONS ARE IN MILLIMETERS		PROJECT: 46"-SEE THRU (80s46ST)	
UNSPECIFIED TOLERANCES		DESCRIPTION: FIREPLACE CONSTRUCTION DOCUMENT	
ANG.	X ±	THIRD ANGLE PROJECTION	
LIN.	X ±	MATERIAL: E.C. PUMICE MIXTURE	
	X ±	DRAWN: K.B.H.	DATE: 5/3/2018
	XX ±	APPROVED:	DATE:
5899 Phillips Industrial Blvd. Jacksonville, FL 32256		SIZE: D	SCALE: 1-1/2"=1'-0"
		DRAWING #: 80s46ST	REV: A
		DO NOT SCALE SHEET # 1 OF 1	