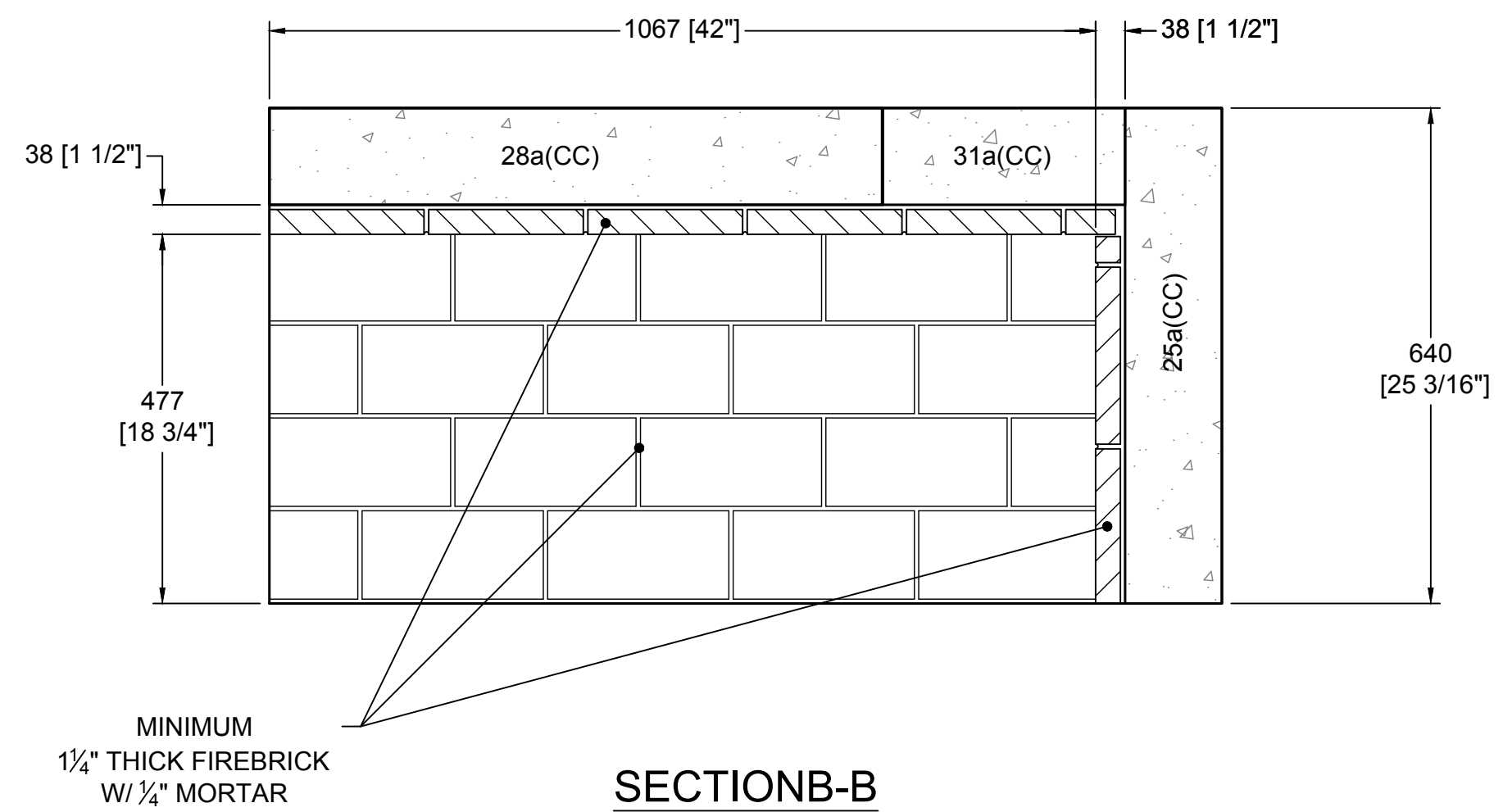
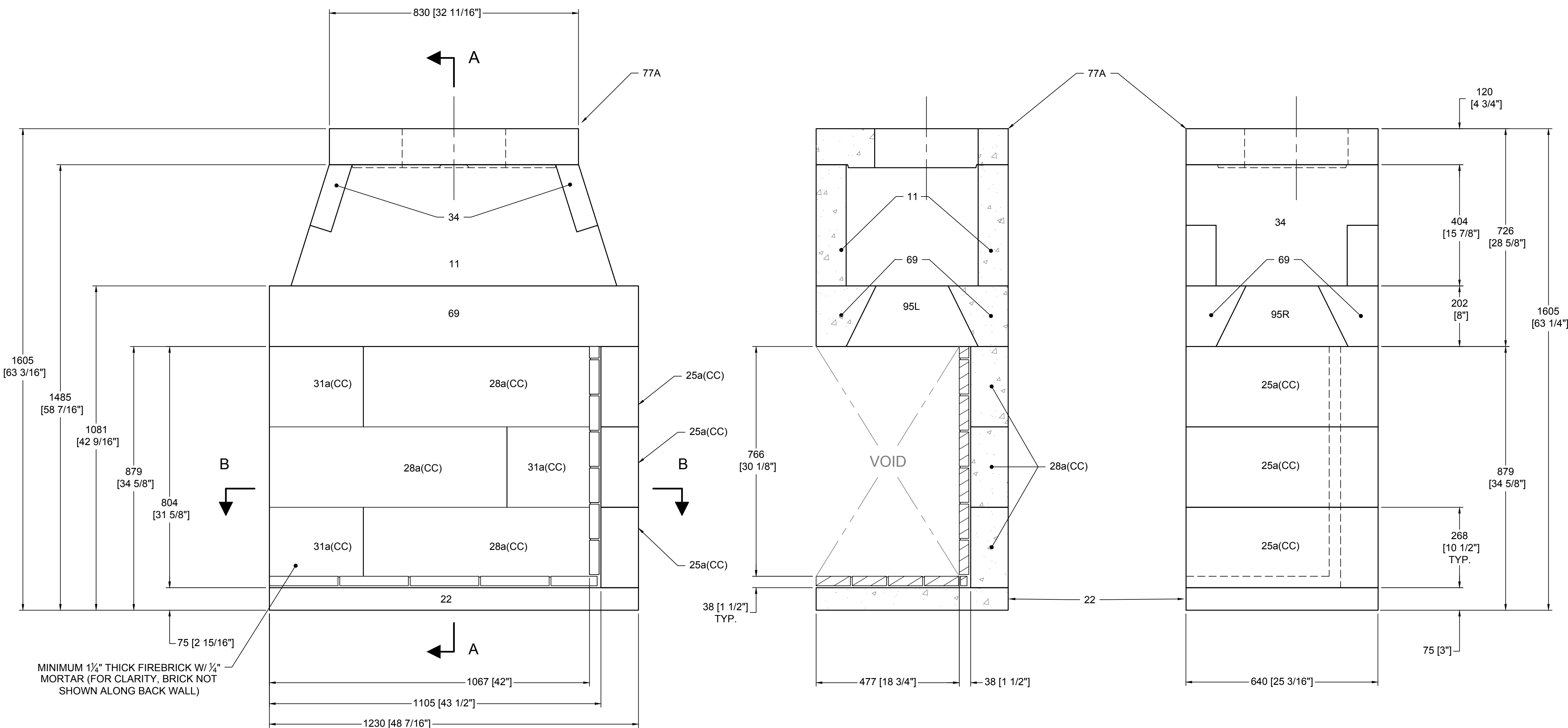


TOP VIEW



SECTION B-B
HORIZONTAL FIREBRICK DETAIL



FRONT VIEW

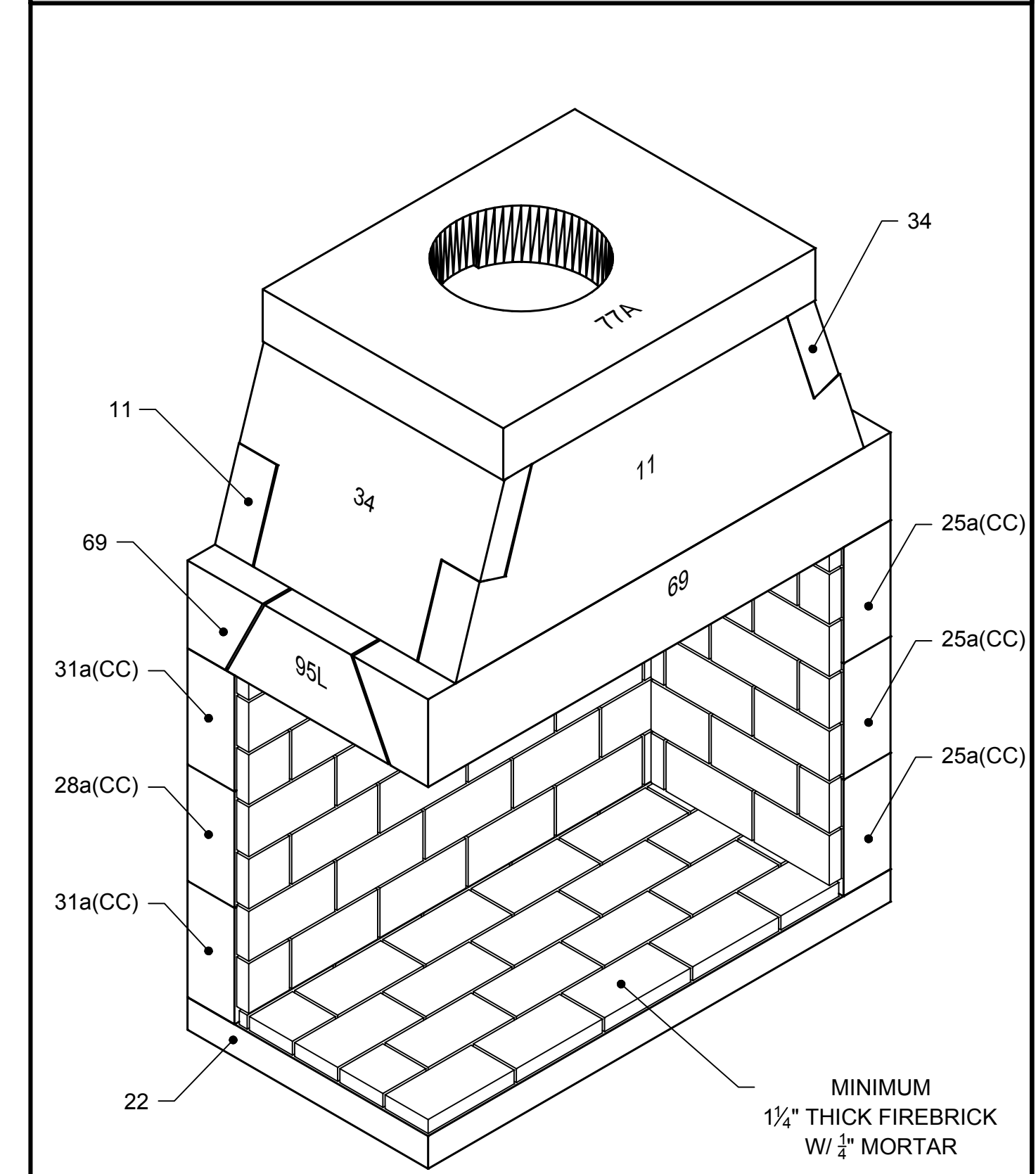
SECTION A-A
VERTICAL FIREBRICK DETAIL

RIGHT-SIDE VIEW

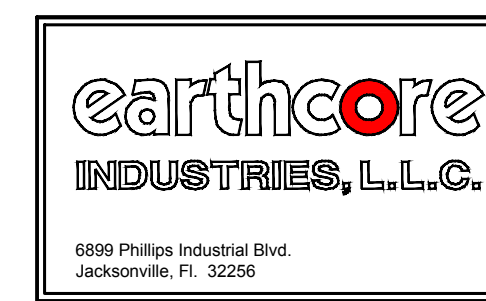
COMPONENT LIST		
PART #	DESCRIPTION	QTY.
11	SMOKE DOME (MIDDLE)	2
22	BASEPLATE (42" STD)	1
25a(CC)	CUSTOM CUT SIDE WALL (36" STD)	3
28a(CC)	CUSTOM CUT BACK WALL(42" STD)	3
31a(CC)	CUSTOM CUT BACK WALL(46" STD) *CUT FROM ONE 31 COMPONENT*	3
34	TOP SLOPING	2
69	DAMPER BEAM-42"	2
77A	TOP PLATE W/345mm HOLE	1
95L/R	DAMPER END L/R (STD)	2(1 EACH)

- GENERAL NOTES**
- THIS IS A CUSTOM ISOKERN FIREPLACE AND CARRIES NO LISTING, UL OR OTHERWISE.
 - IN ORDER TO SUPPORT THE SMOKE DOME OF THIS FIREBOX, A STRUCTURAL STEEL SUPPORT FRAME MUST BE DESIGNED AND APPROVED BY A STRUCTURAL ENGINEER. SMOKE DOME WEIGHT EXCLUDING MORTAR AND EXHAUST COMPONENTS IS 648 LBS.
 - 4" COMBUSTION AIR INLET KITS ARE REQUIRED BY EARTHORE AND MAY HELP IMPROVE FIREPLACE OPERATION IN HOMES TIGHTLY SEALED AND WITH OTHER VENTILATING APPLIANCES INSTALLED. IF THE INSTALLATION IS TO BE LONGER THAN TEN FEET (10'), THEN THE SIX INCH (6") ADAPTER WILL BE NEEDED. THIS ADAPTER WILL ATTACH TO THE EXISTING FOUR INCH (4") SLEEVE OUTSIDE OF THE UNIT. THE SIX INCH ADAPTER INCLUDES AN ADDITIONAL TWENTY FEET OF 6" FLEX HOSE, FOR A MAXIMUM RUN OF THIRTY FEET (30').
 - MECHANICAL VENTILATION ASSISTANCE MAY BE REQUIRED WITH THIS DESIGN
 - DRAWINGS ARE FOR DESIGN PURPOSES ONLY AND ARE THE SOLE PROPERTY OF EARTHORE INDUSTRIES. ANY REPRODUCTION OR UNAUTHORIZED USE IS STRICTLY PROHIBITED.
 - EARTHORE/ ISOKERN OR ANY DIVISION THEREOF SHALL NOT BE HELD LIABLE FOR ANY INCIDENTAL OR CONSEQUENTIAL DAMAGES OR EXPENSES ARISING OUT OF THE USE OF THE FIREPLACES OR CHIMNEY SYSTEMS.
 - ALWAYS CHECK LOCAL BUILDING CODES GOVERNING FIREPLACES AND FIREPLACE INSTALLATIONS.

COMPONENT CALLOUT (N.T.S)



NOTE: IN ORDER TO SUPPORT THE SMOKE DOME OF THIS FIREBOX, A STRUCTURAL STEEL SUPPORT FRAME MUST BE DESIGNED AND APPROVED BY A STRUCTURAL ENGINEER. SMOKE DOME WEIGHT EXCLUDING MORTAR AND EXHAUST COMPONENTS IS 648 LBS.



UNLESS OTHERWISE STATED, ALL DIMENSIONS ARE IN MILLIMETERS		PROJECT: 42" CORNER-LEFT OPEN	
UNSPECIFIED TOLERANCES		DESCRIPTION: FIREPLACE CONSTRUCTION DOCUMENT	
ANG.	X ±	MATERIAL:	E.C. PLUMICE MIXTURE
LIN.	X ±	DRAWN:	K.B.H.
	X ±	DATE:	5/3/2018
	XX ±	APPROVED:	
		SIZE:	1-1/2"=1'-0"
		SCALE:	D
		DRAWING #:	80s42CL
		REVISION:	A