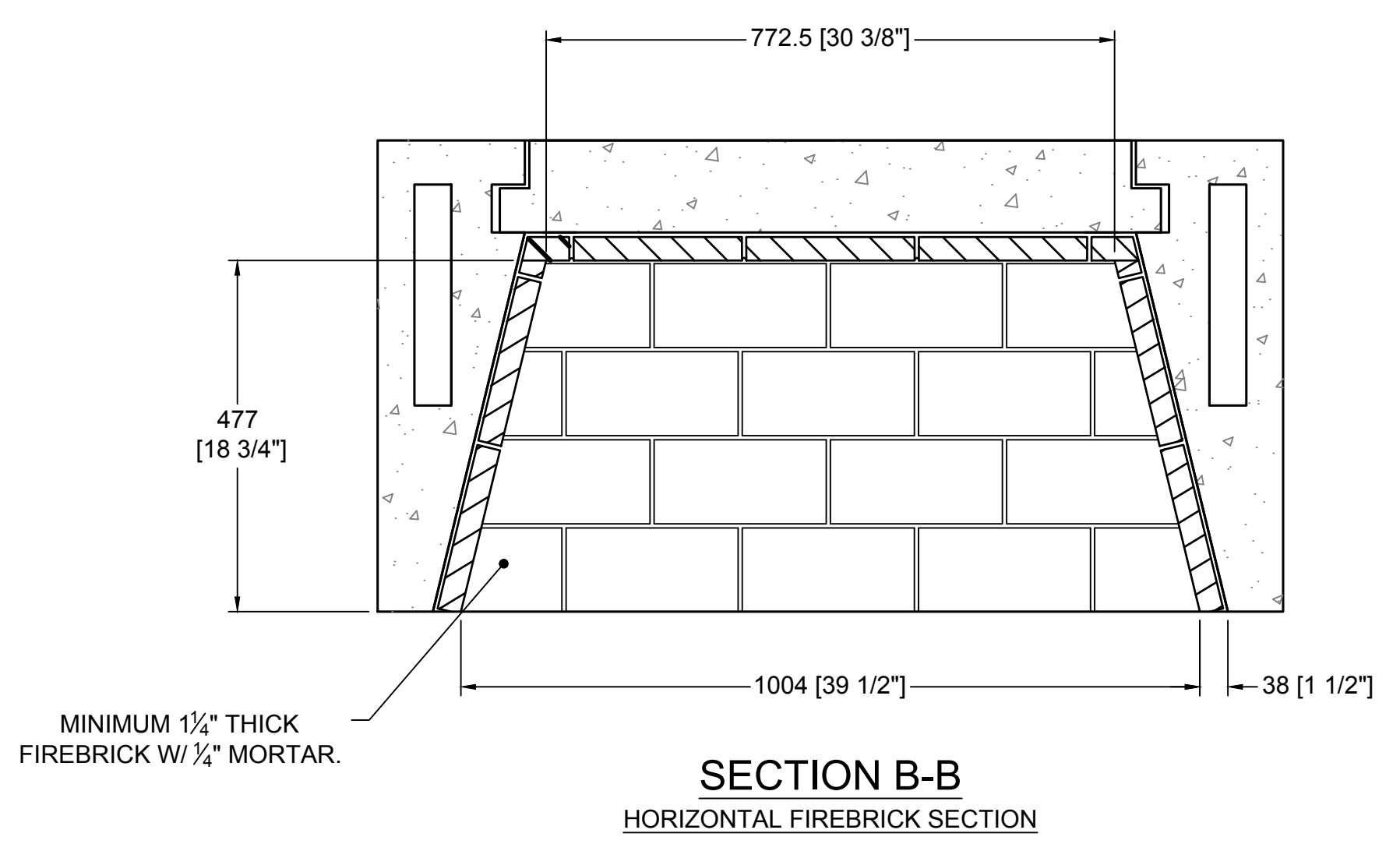
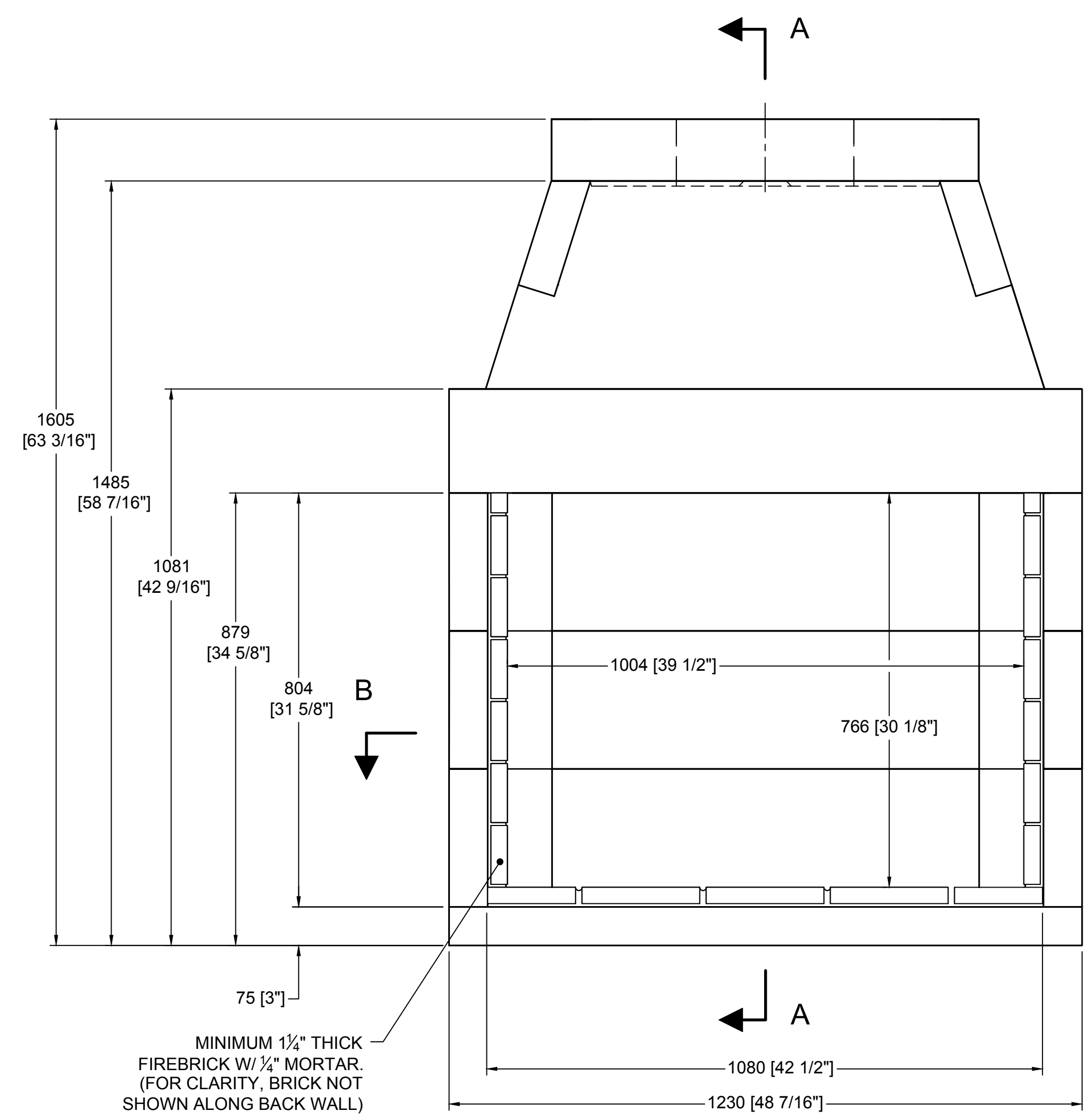


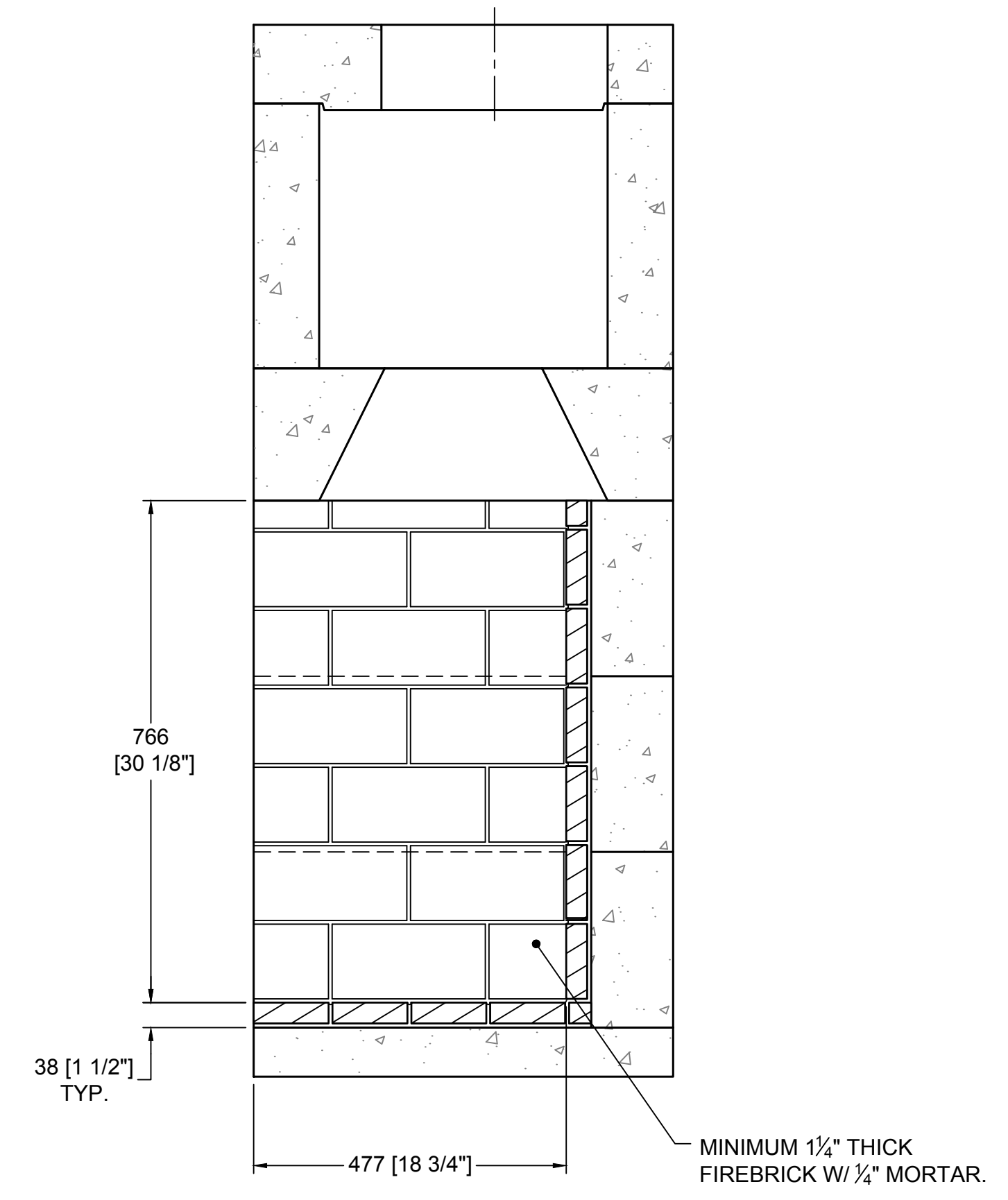
TOP VIEW



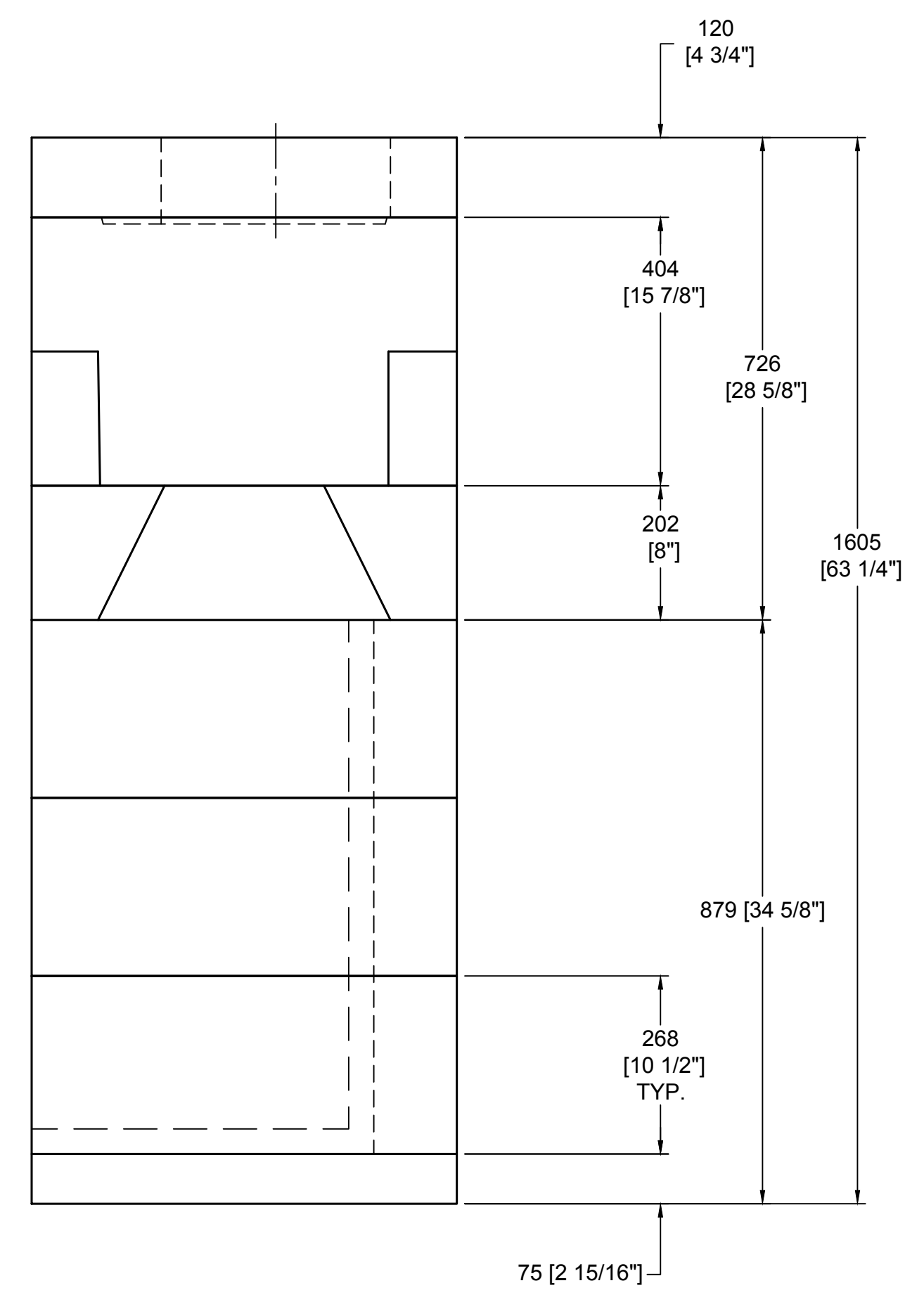
SECTION B-B  
HORIZONTAL FIREBRICK SECTION



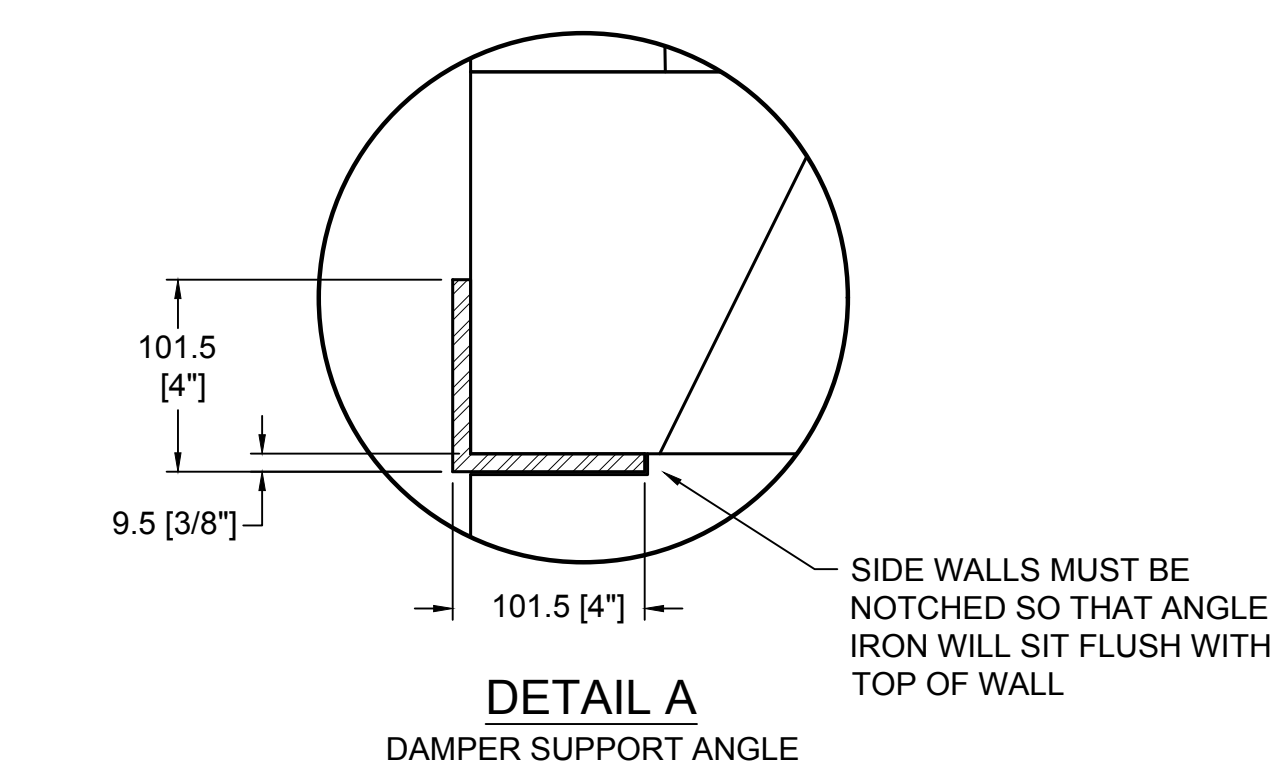
FRONT VIEW



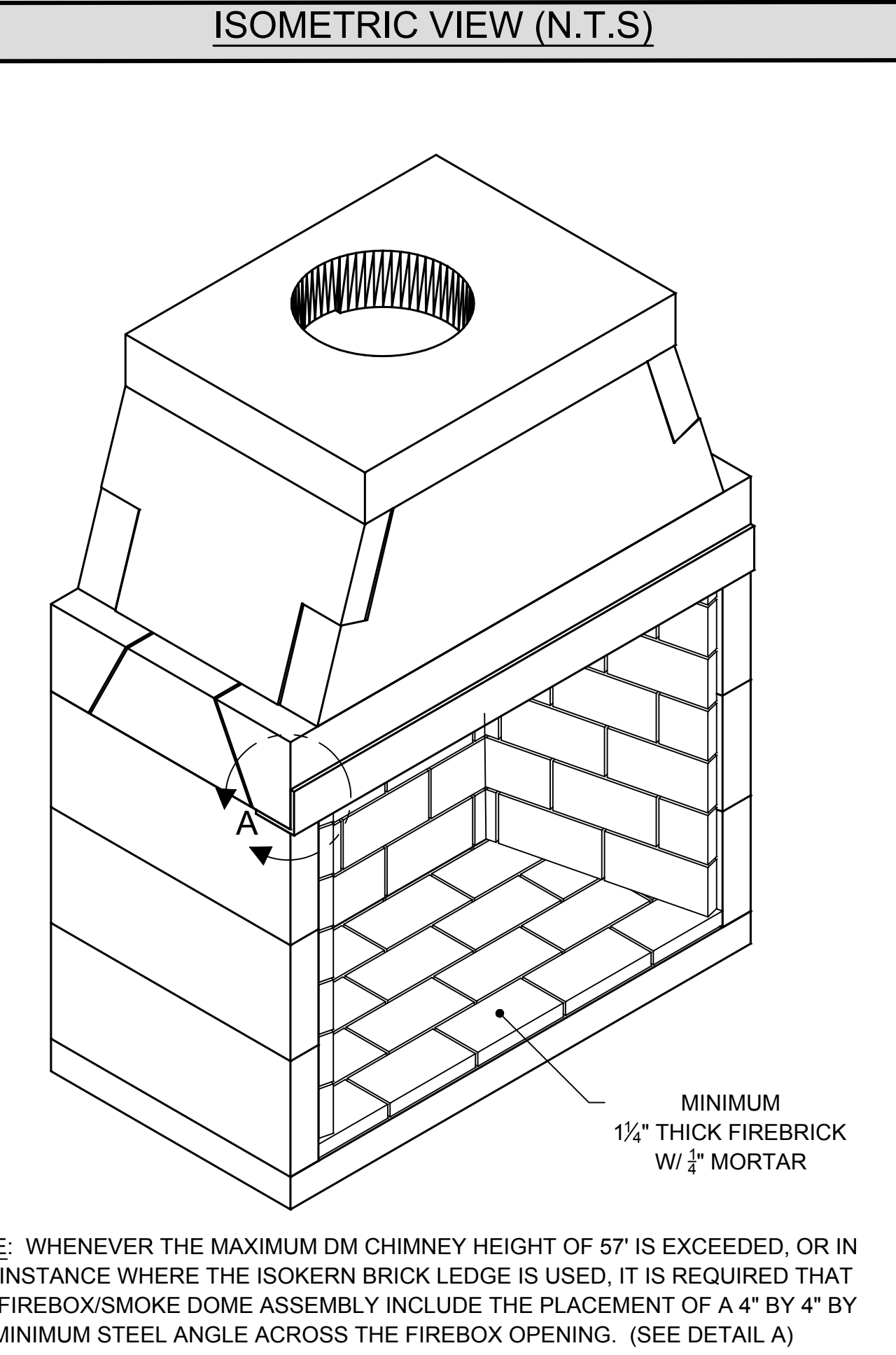
SECTION A-A  
VERTICAL FIREBRICK SECTION



RIGHT-SIDE VIEW



DETAILS (N.T.S.)



ISOMETRIC VIEW (N.T.S.)

COMPONENT LIST		
PART #	DESCRIPTION	QTY.
11	SMOKE DOME (MIDDLE)	2
20	SIDE WALL	6
22	BASEPLATE-42" (STD)	1
28	BACK WALL-42" (STD)	3
34	TOP SLOPING	2
69	DAMPER BEAM-42"	2
77A	TOP PLATE W/345mm HOLE	1
95L/R	DAMPER END L/R (STD)	2(1 EACH)

- GENERAL NOTES**
- DRAWINGS ARE FOR DESIGN PURPOSES ONLY AND ARE THE SOLE PROPERTY OF EARTHCORE INDUSTRIES. ANY REPRODUCTION OR UNAUTHORIZED USE IS STRICTLY PROHIBITED.
  - EARTHCORE/ ISOKERN OR ANY DIVISION THEREOF SHALL NOT BE HELD LIABLE FOR ANY INCIDENTAL OR CONSEQUENTIAL DAMAGES OR EXPENSES ARISING OUT OF THE USE OF THE FIREPLACES OR CHIMNEY SYSTEMS.
  - ALWAYS CHECK LOCAL BUILDING CODES GOVERNING FIREPLACES AND FIREPLACE INSTALLATIONS.
  - 4" COMBUSTION AIR INLET KITS ARE REQUIRED BY EARTHCORE AND MAY HELP IMPROVE FIREPLACE OPERATION IN HOMES TIGHTLY SEALED AND WITH OTHER VENTILATING APPLIANCES INSTALLED. IF THE INSTALLATION IS TO BE LONGER THAN TEN FEET (10'), THEN THE SIX INCH (6") ADAPTER WILL BE NEEDED. THIS ADAPTER WILL ATTACH TO THE EXISTING FOUR INCH (4") SLEEVE OUTSIDE OF THE UNIT. THE SIX INCH ADAPTER INCLUDES AN ADDITIONAL TWENTY FEET OF 6" FLEX HOSE, FOR A MAXIMUM RUN OF THIRTY FEET (30').

UNLESS OTHERWISE STATED, ALL DIMENSIONS ARE IN MILLIMETERS		PROJECT: 42" STANDARD (80s42)	
THIRD ANGLE PROJECTION		DESCRIPTION: FIREPLACE CONSTRUCTION DOCUMENT	
MATERIAL: E.C. PUMICE MIXTURE	SCALE: 1-1/2"=1'-0"	DRAWING #: 80s42	REV: A
DRAWN: K.B.H.	DATE: 5/3/2018	APPROVED: [Signature]	SHEET # 1 OF 1

