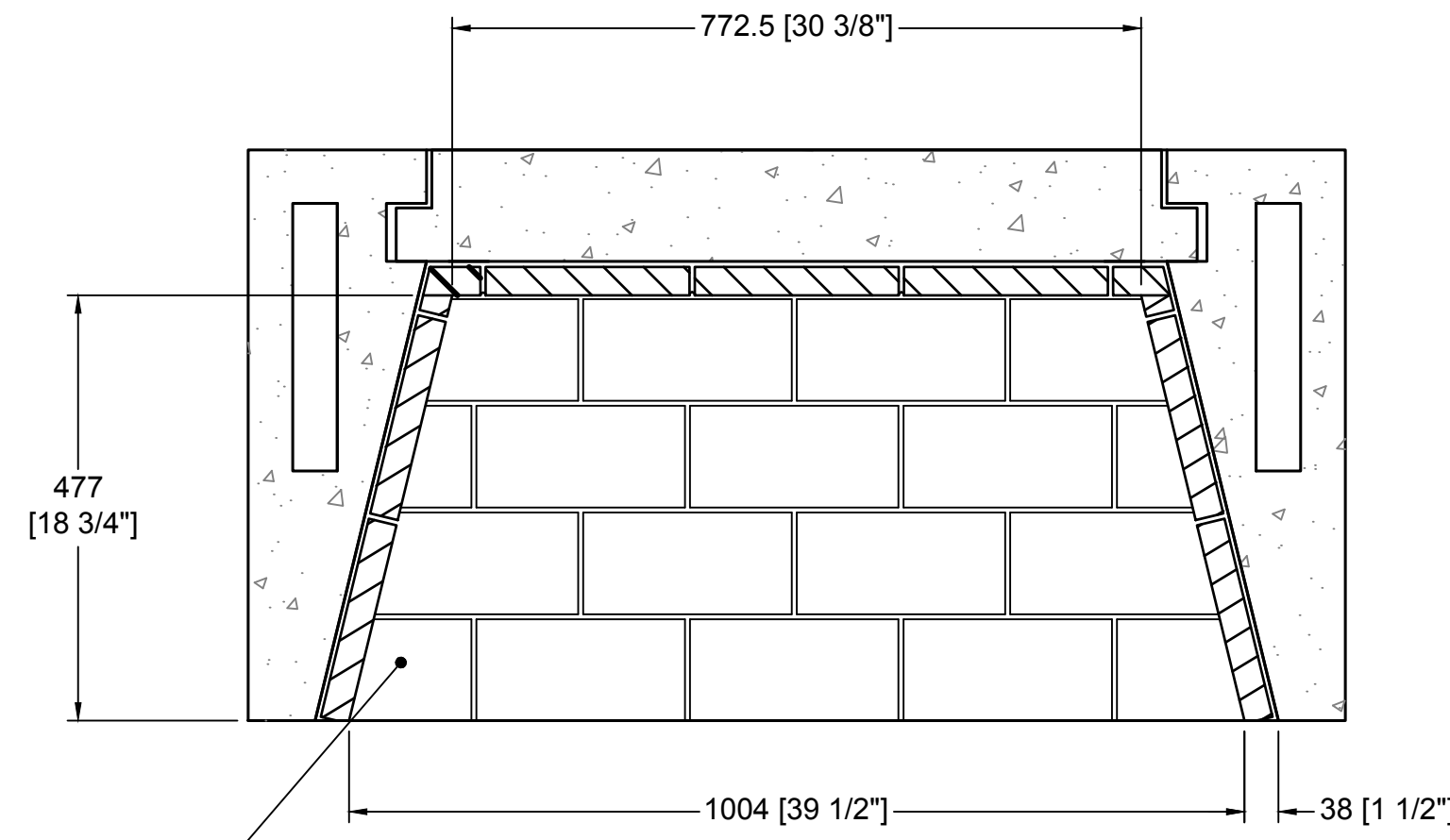


Ø345 [Ø13 9/16]  
FLUE OUTLET

TOP VIEW



MINIMUM 1/4" THICK  
FIREBRICK W/ 1/2" MORTAR.

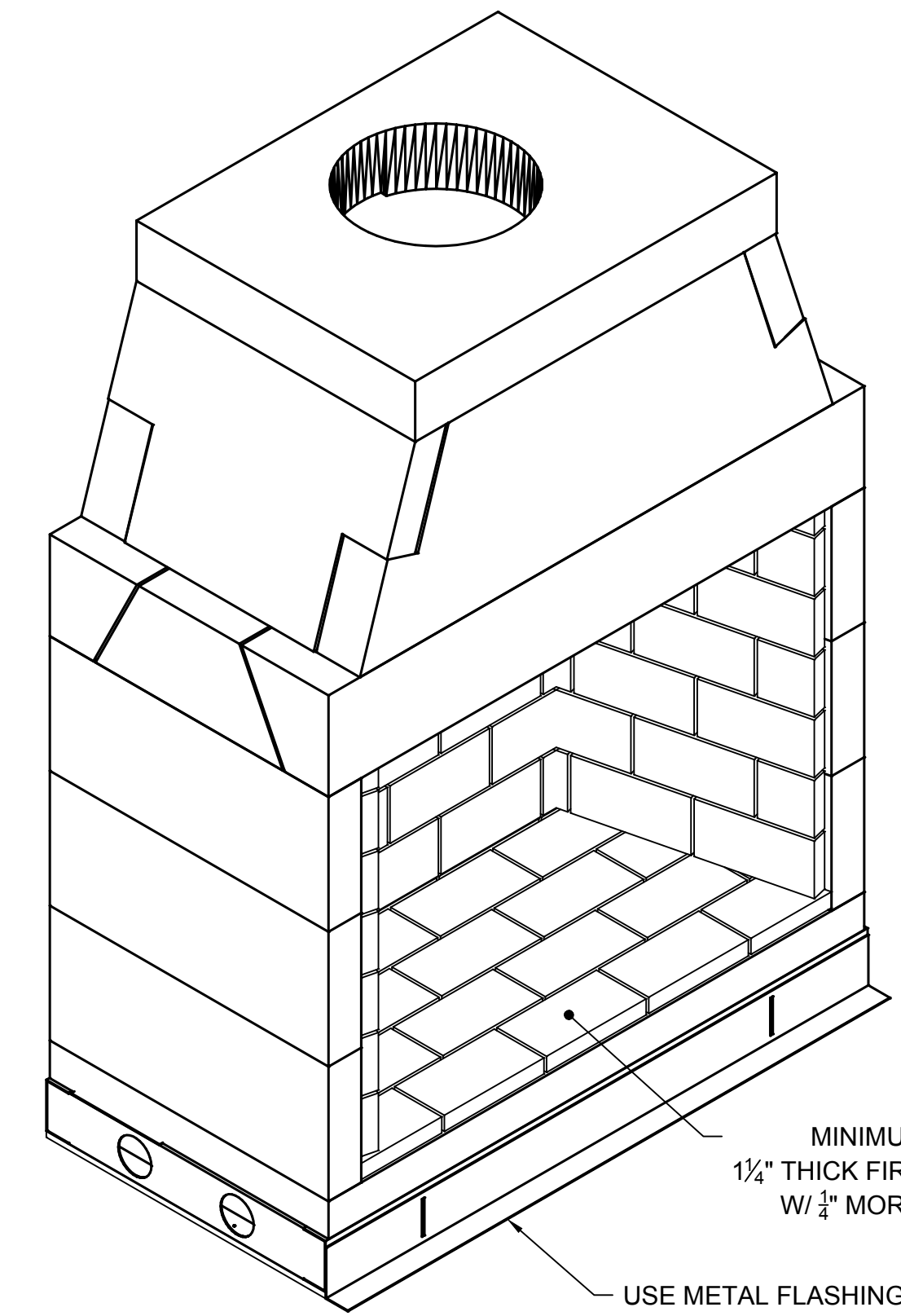
SECTION B-B  
HORIZONTAL FIREBRICK SECTION

COMPONENT LIST		
PART #	DESCRIPTION	QTY.
11	SMOKE DOME (MIDDLE)	2
20	SIDE WALL	6
22	BASEPLATE-42" (STD)	1
28	BACK WALL-42" (STD)	3
34	TOP SLOPING	2
69	DAMPER BEAM-42"	2
77A	TOP PLATE W/345mm HOLE	1
95L/R	DAMPER END L/R (STD)	2(1 EACH)
MS-S-42	42" STANDARD FIRELITE STAND	1
ISOWOOL	1/2" THICK ISOWOOL CERAMIC FIBER INSULATION BLANKET (INCLUDED W/ MS-S-42)	---

GENERAL NOTES

- DRAWINGS ARE FOR DESIGN PURPOSES ONLY AND ARE THE SOLE PROPERTY OF EARTHCORE INDUSTRIES. ANY REPRODUCTION OR UNAUTHORIZED USE IS STRICTLY PROHIBITED.
- EARTHCORE/ ISOKERN OR ANY DIVISION THEREOF SHALL NOT BE HELD LIABLE FOR ANY INCIDENTAL OR CONSEQUENTIAL DAMAGES OR EXPENSES ARISING OUT OF THE USE OF THE FIREPLACES OR CHIMNEY SYSTEMS.
- ALWAYS CHECK LOCAL BUILDING CODES GOVERNING FIREPLACES AND FIREPLACE INSTALLATIONS.
- 4" COMBUSTION AIR INLET KITS ARE REQUIRED BY EARTHCORE AND MAY HELP IMPROVE FIREPLACE OPERATION IN HOMES TIGHTLY SEALED AND WITH OTHER VENTILATING APPLIANCES INSTALLED. IF THE INSTALLATION IS TO BE LONGER THAN TEN FEET (10'), THEN THE SIX INCH (6") ADAPTER WILL BE NEEDED. THIS ADAPTER WILL ATTACH TO THE EXISTING FOUR INCH (4") SLEEVE OUTSIDE OF THE UNIT. THE SIX INCH ADAPTER INCLUDES AN ADDITIONAL TWENTY FEET OF 6" FLEX HOSE, FOR A MAXIMUM RUN OF THIRTY FEET (30').
- THE FIRE-LITE INSTALLATION REQUIRES USAGE OF ECOSTEEL/ECOSTEEL+ CLASS-A METAL FLUE SYSTEM.
- ALL PORTIONS OF THE COMBUSTIBLE FLOOR SYSTEM UNDER THE FIRE-LITE STAND ARE TO BE COVERED WITH MINIMUM 1/2" THICK CERAMIC FIBER ISOWOOL BLANKET; RATED TO 2100 DEGREES FAHRENHEIT.
- THE FIRELITE STAND'S NONCOMBUSTIBLE RAISED PLATFORM MUST BE SET WITH A MINIMUM ONE AND ONE HALF INCH (1-1/2") CLEARANCE TO THE WALLS TO THE SIDES AND DIRECTLY BEHIND THE FIRE-LITE ASSEMBLY. IF THESE WALLS CONTAIN UNSHIELDED INSULATION, IT MUST BE KEPT A MINIMUM OF THREE INCHES (3") AWAY FROM FIREBOX ASSEMBLY.
- ISOKERN IS NOT RESPONSIBLE FOR STRUCTURAL FLOOR SUPPORT DETAILS FOR THE FIRE-LITE FIREPLACE. FLOOR FRAMING WILL NEED TO BE DESIGNED AND BUILT TO ACCEPT SUBSTANTIAL DEAD LOADS SPREAD OVER A RELATIVELY SMALL FLOOR AREA. CONSULT YOUR LOCAL STRUCTURAL ENGINEER FOR PROPER FLOOR SYSTEM DESIGN, SIZING, AND SPECIFICATIONS. THE APPROXIMATE FOOT PRINT AREA AND DEAD LOAD AMOUNTS MAY BE FOUND IN YOUR FIREPLACE OWNER'S MANUAL.

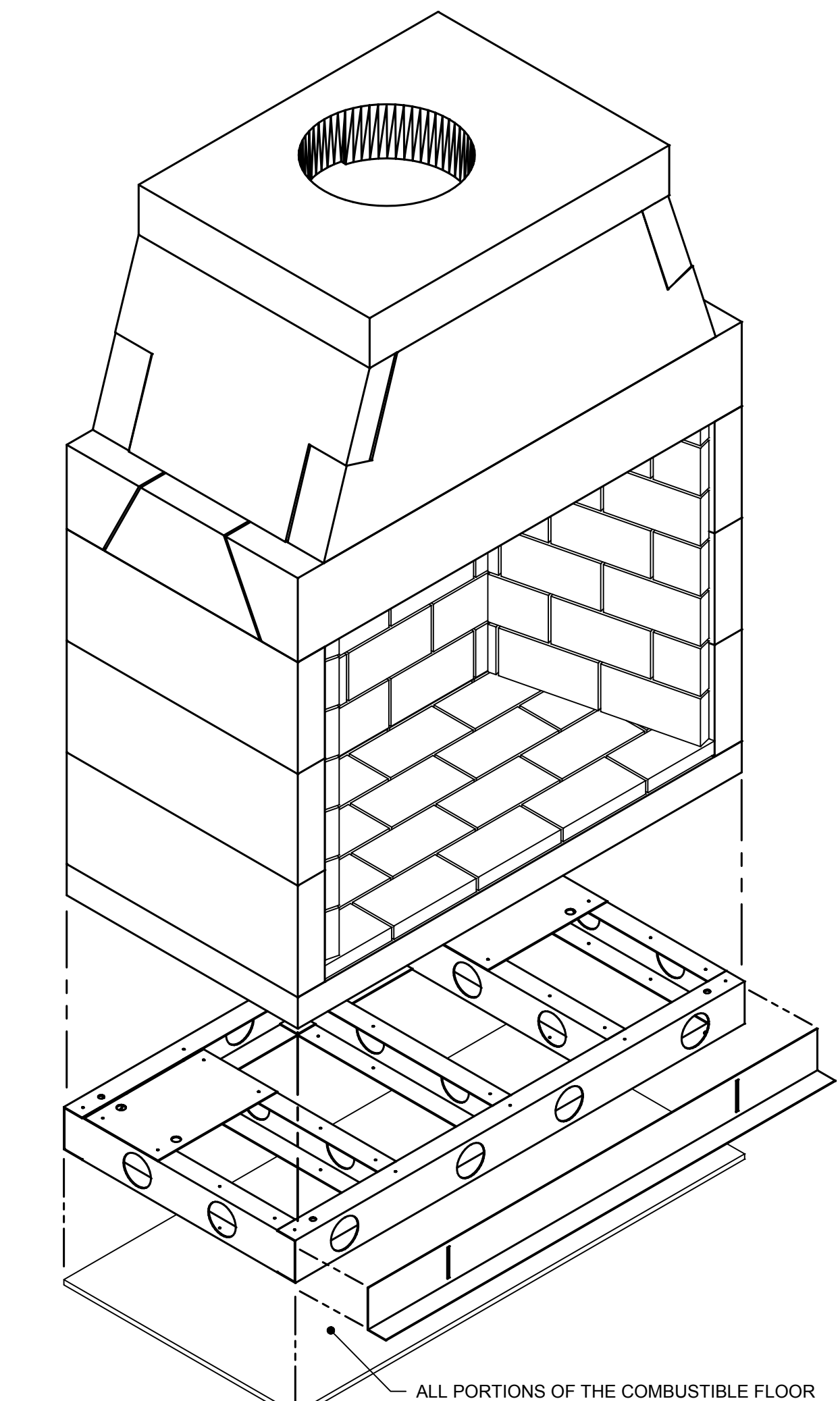
ISOMETRIC VIEW (N.T.S)



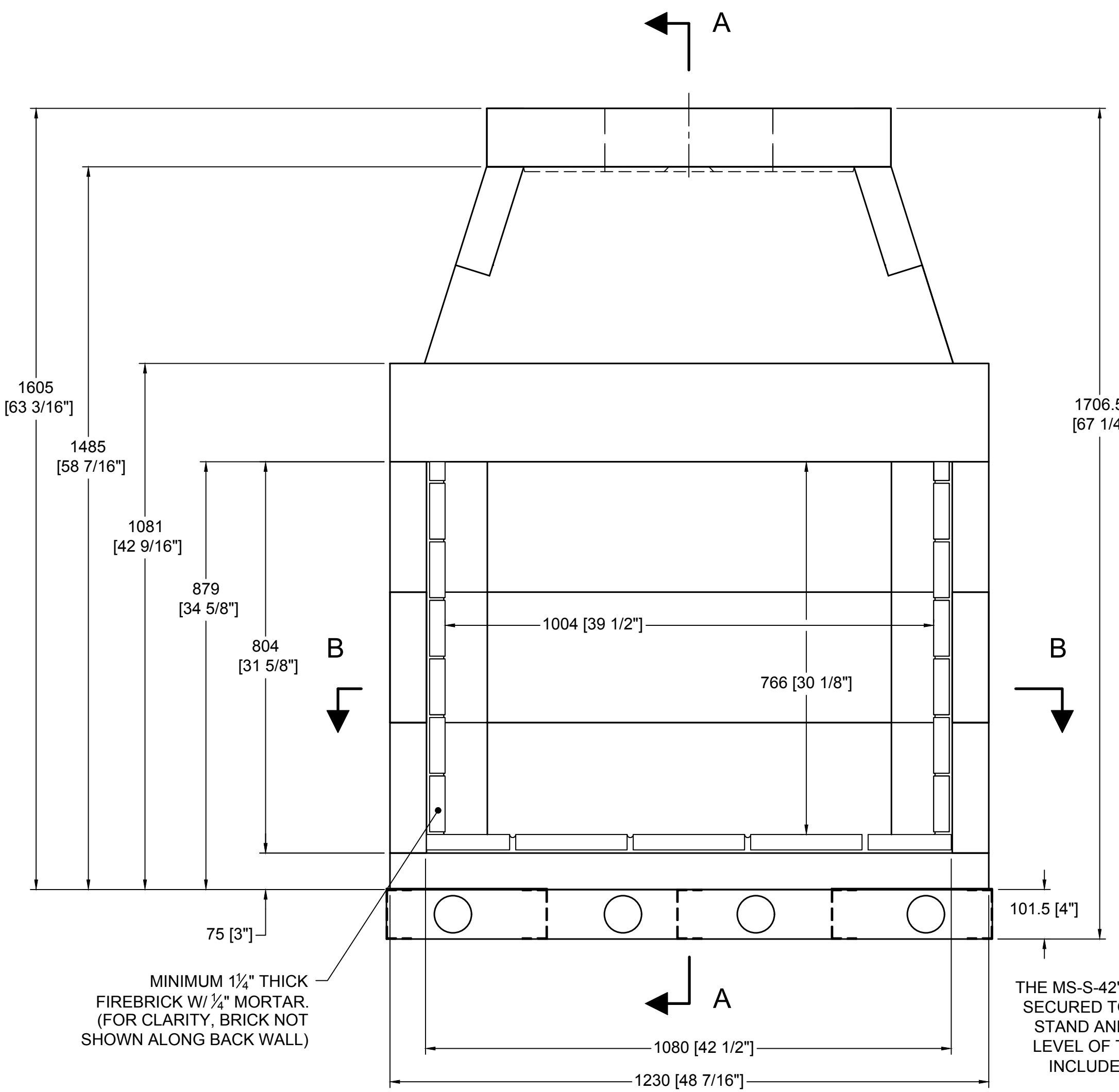
MINIMUM  
1/4" THICK FIREBRICK  
W/ 1/2" MORTAR

USE METAL FLASHING TO  
LEVEL THE FIRELITE STAND  
ATOP ISOWOOL BLANKET

ISOMETRIC VIEW (N.T.S)

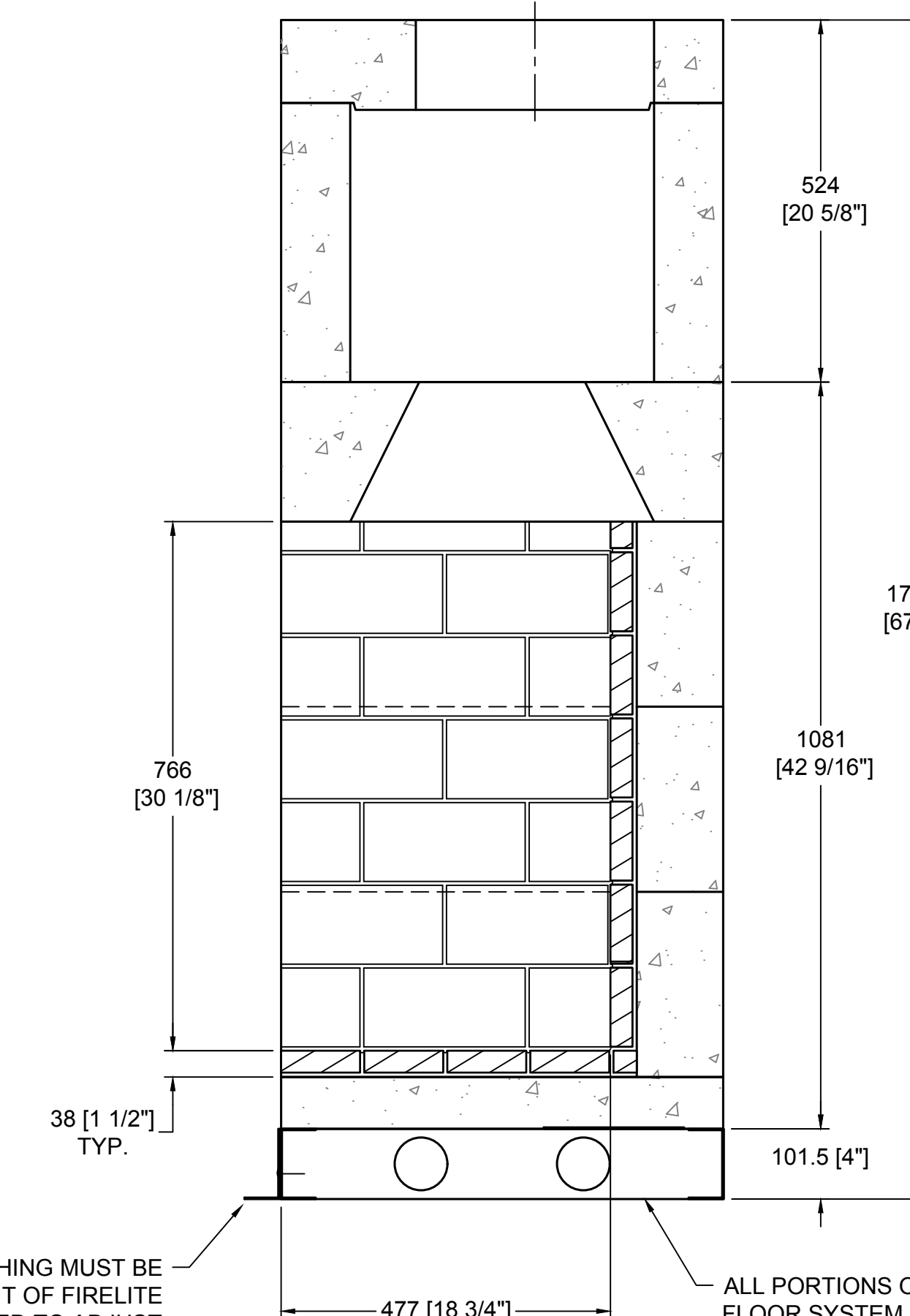


ALL PORTIONS OF THE COMBUSTIBLE FLOOR  
SYSTEM UNDER THE FIRE-LITE STAND ARE TO  
BE COVERED WITH MINIMUM 1/2" THICK CERAMIC  
FIBER ISOWOOL BLANKET; RATED TO 2100  
DEGREES FAHRENHEIT



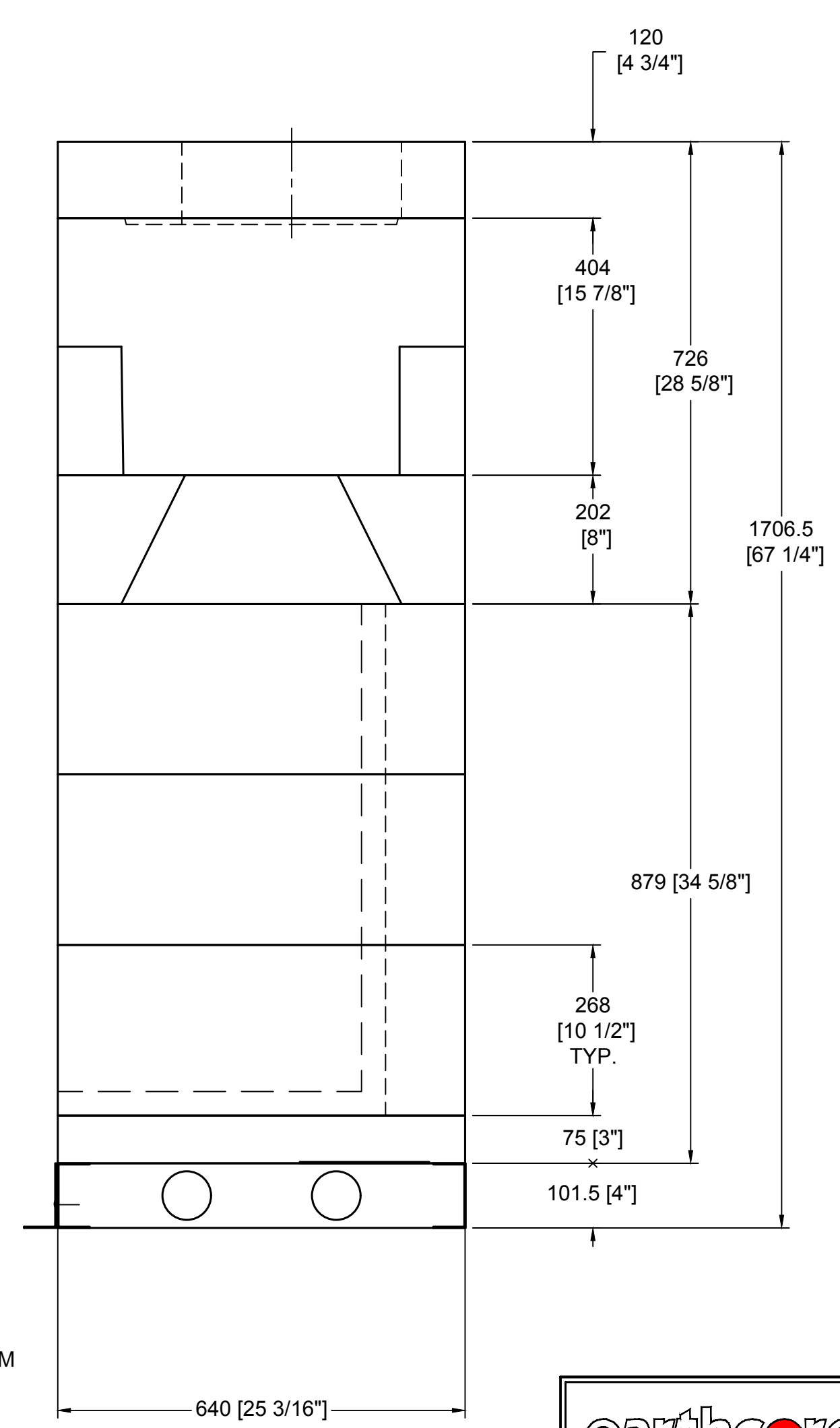
MINIMUM 1/4" THICK  
FIREBRICK W/ 1/2" MORTAR.  
(FOR CLARITY, BRICK NOT  
SHOWN ALONG BACK WALL)

FRONT VIEW  
\*MS-S-42 FLASHING NOT SHOWN IN VIEW\*

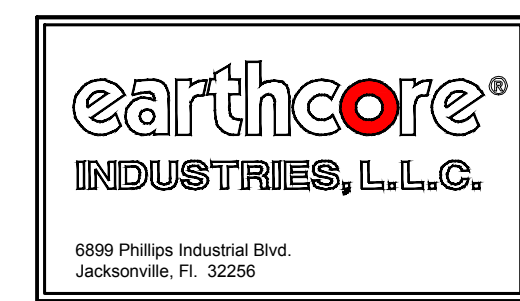


THE MS-S-42'S FLASHING MUST BE  
SECURED TO FRONT OF FIRELITE  
STAND AND IS USED TO ADJUST  
LEVEL OF THE STAND ATOP THE  
INCLUDED ISOWOOL BLANKET

SECTION A-A  
VERTICAL FIREBRICK SECTION



RIGHT-SIDE VIEW



UNLESS OTHERWISE STATED, ALL DIMENSIONS ARE IN MILLIMETERS		PROJECT: 42" STANDARD WITH FIRELITE	
THIRD ANGLE PROJECTION		DESCRIPTION: FIREPLACE CONSTRUCTION DOCUMENT	
MATERIAL: E.C. PLUMICE MIXTURE		DATE: 5/3/2018	
DRAWN: K.B.H.		SCALE: 1-1/2"=1'-0"	
APPROVED:		DRAWING #: 80s42-FLK	
SHEET # 1 OF 1		REV: A	