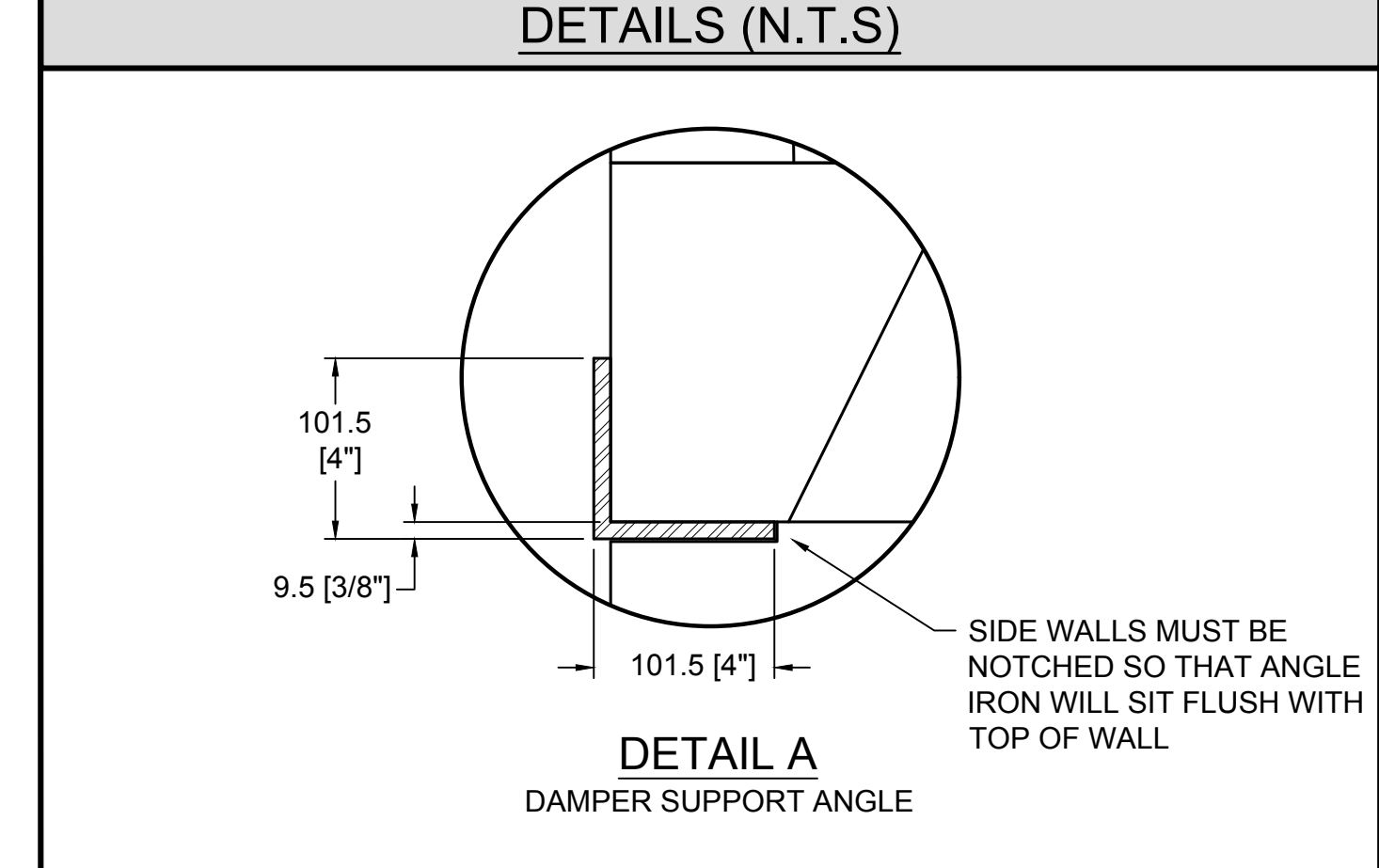
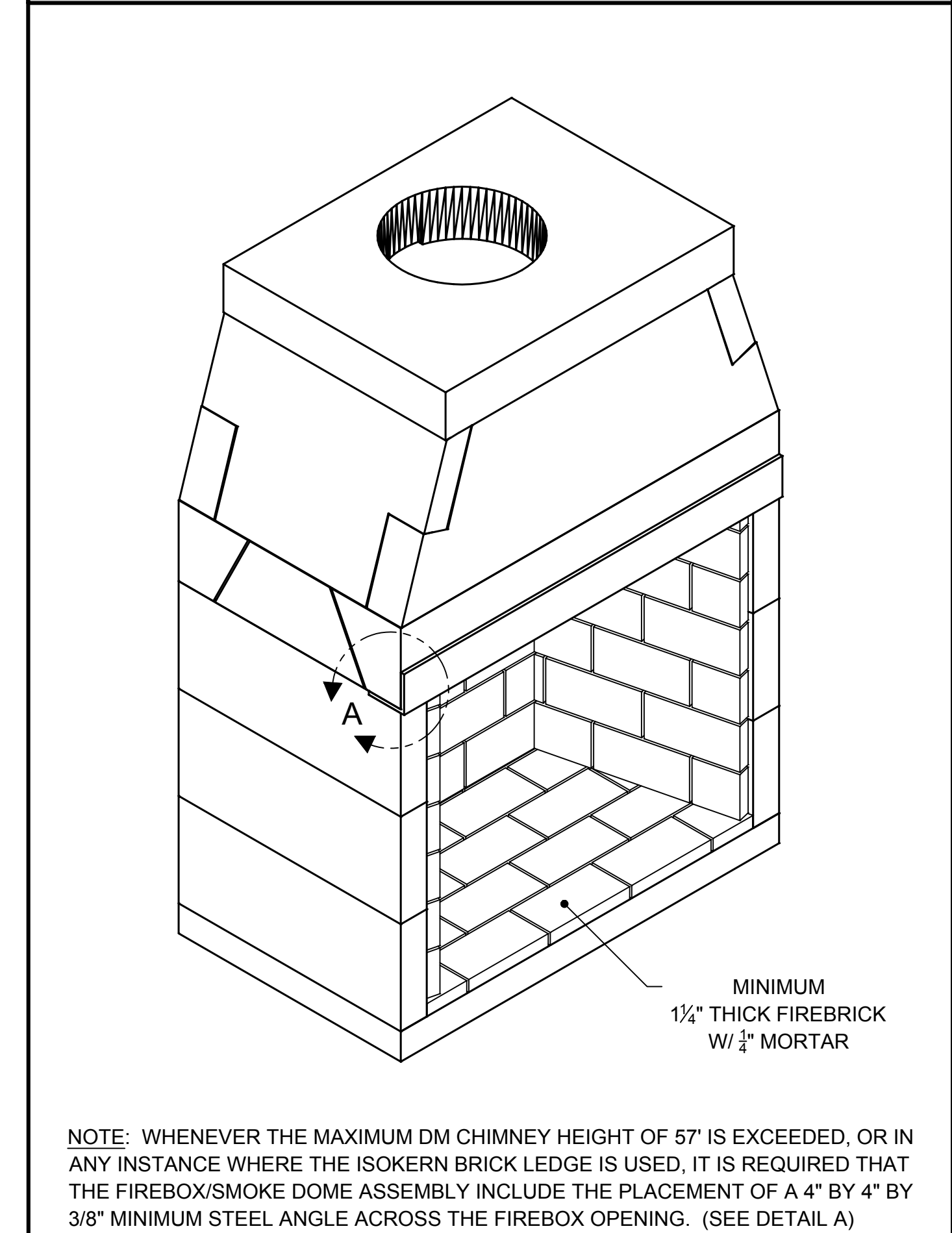


COMPONENT LIST		
PART #	DESCRIPTION	QTY.
11	SMOKE DOME (MIDDLE)	2
20	SIDE WALL	6
21	BASEPLATE-36" (STD)	1
25	BACKWALL-36" (STD)	3
34	TOP SLOPING	2
68	DAMPER BEAM-36"	2
77A	TOP PLATE W/345mm HOLE	1
95L/R	DAMPER END L/R (STD)	2(1 EACH)

- GENERAL NOTES**
- DRAWINGS ARE FOR DESIGN PURPOSES ONLY AND ARE THE SOLE PROPERTY OF EARTHCORE INDUSTRIES. ANY REPRODUCTION OR UNAUTHORIZED USE IS STRICTLY PROHIBITED.
 - EARTHCORE/ ISOKERN OR ANY DIVISION THEREOF SHALL NOT BE HELD LIABLE FOR ANY INCIDENTAL OR CONSEQUENTIAL DAMAGES OR EXPENSES ARISING OUT OF THE USE OF THE FIREPLACES OR CHIMNEY SYSTEMS.
 - ALWAYS CHECK LOCAL BUILDING CODES GOVERNING FIREPLACES AND FIREPLACE INSTALLATIONS.
 - 4" COMBUSTION AIR INLET KITS ARE REQUIRED BY EARTHCORE AND MAY HELP IMPROVE FIREPLACE OPERATION IN HOMES TIGHTLY SEALED AND WITH OTHER VENTILATING APPLIANCES INSTALLED. IF THE INSTALLATION IS TO BE LONGER THAN TEN FEET (10'), THEN THE SIX INCH (6") ADAPTER WILL BE NEEDED. THIS ADAPTER WILL ATTACH TO THE EXISTING FOUR INCH (4") SLEEVE OUTSIDE OF THE UNIT. THE SIX INCH ADAPTER INCLUDES AN ADDITIONAL TWENTY FEET OF 6" FLEX HOSE, FOR A MAXIMUM RUN OF THIRTY FEET (30').



ISOMETRIC VIEW (N.T.S.)



NOTE: WHENEVER THE MAXIMUM DM CHIMNEY HEIGHT OF 57' IS EXCEEDED, OR IN ANY INSTANCE WHERE THE ISOKERN BRICK LEDGE IS USED, IT IS REQUIRED THAT THE FIREBOX/SMOKE DOME ASSEMBLY INCLUDE THE PLACEMENT OF A 4" BY 4" BY 3/8" MINIMUM STEEL ANGLE ACROSS THE FIREBOX OPENING. (SEE DETAIL A)

UNLESS OTHERWISE STATED, ALL DIMENSIONS ARE IN MILLIMETERS		PROJECT:	36" STANDARD (80s36)		
UNSPECIFIED TOLERANCES	THIRD ANGLE PROJECTION	DESCRIPTION:	FIREPLACE CONSTRUCTION DOCUMENT		
ANG. X ±		MATERIAL:	E.C. PLUMICE MIXTURE		
LIN. X ±		DRAWN:	K.B.H.	DATE: 5/3/2018	
X ±		APPROVED:		DATE:	
XX ±					
6999 Philips Industrial Blvd. Jacksonville, FL 32256		SIZE:	SCALE:	DRAWING #:	
		D	1-1/2"=1'-0"	80s36	
		DO NOT SCALE	SHEET #	OF	
			1	1	

