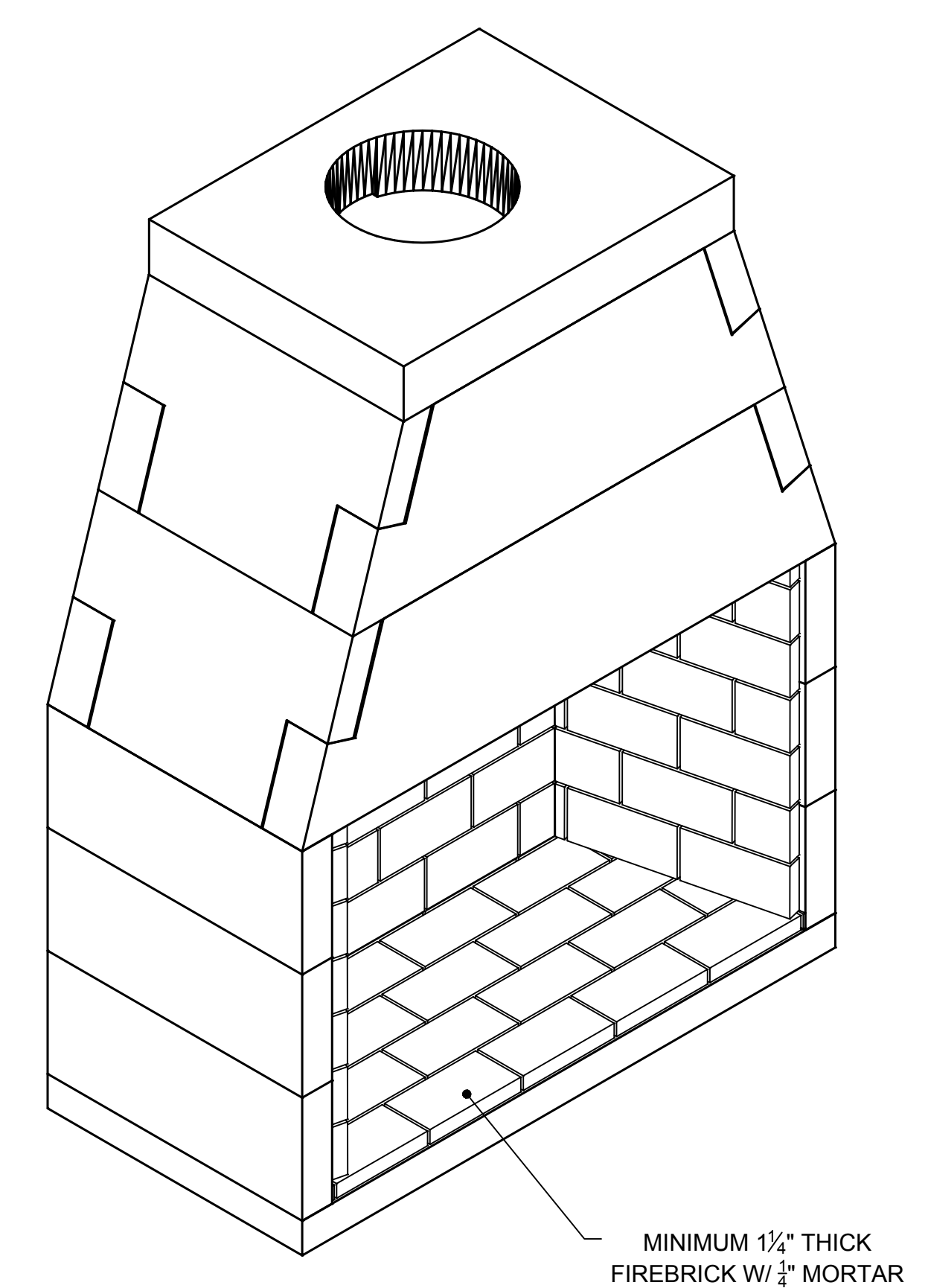


COMPONENT LIST		
PART #	DESCRIPTION	QTY.
11	SMOKE DOME (MIDDLE)	2
13	SMOKE DOME (LARGE)	2
20	SIDEWALL	6
23	BASEPLATE-46" (STD)	1
31	BACKWALL-46" (STD)	3
34	TOP SLOPING	4
77A	TOP PLATE W/345mm HOLE	1

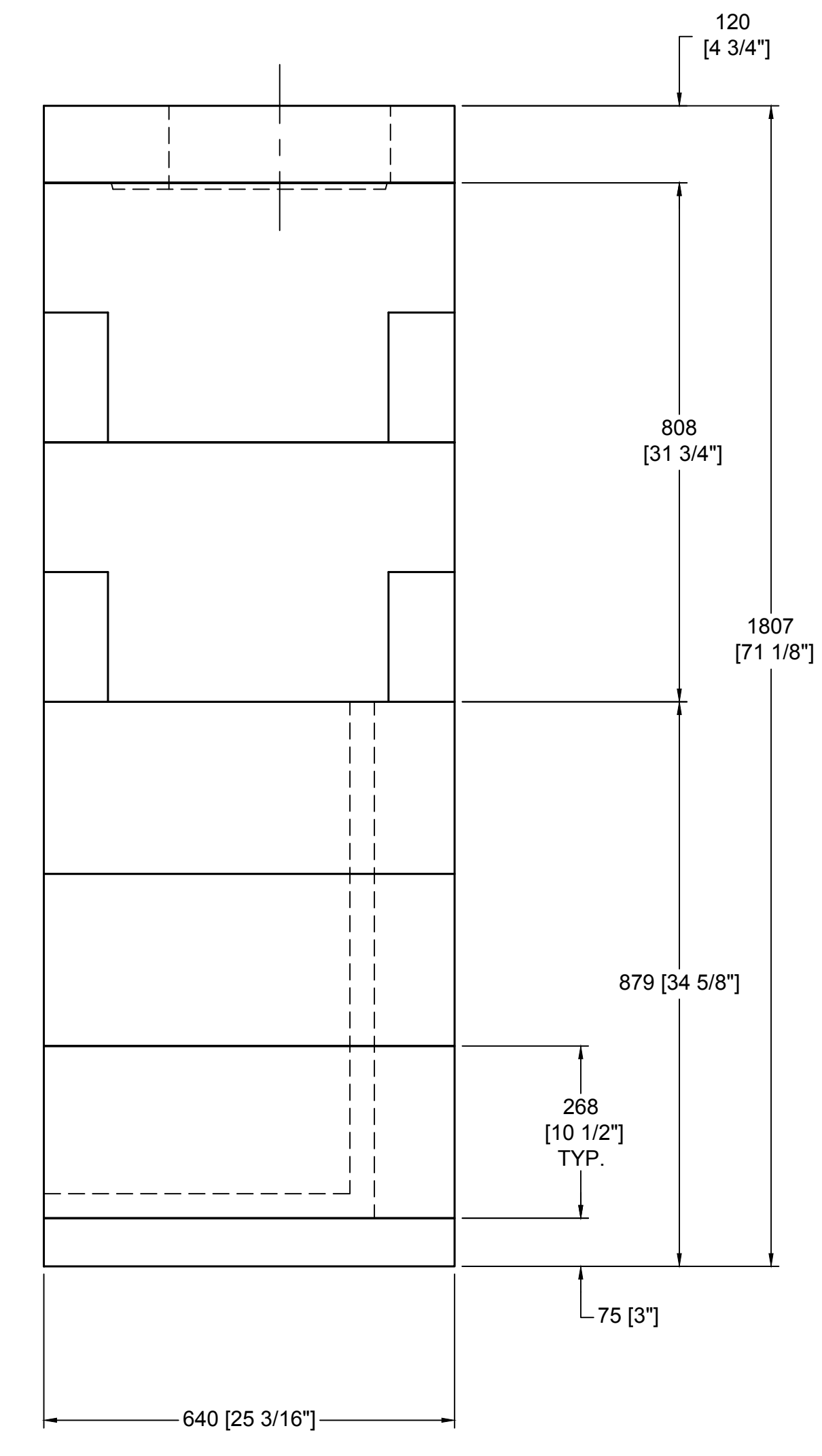
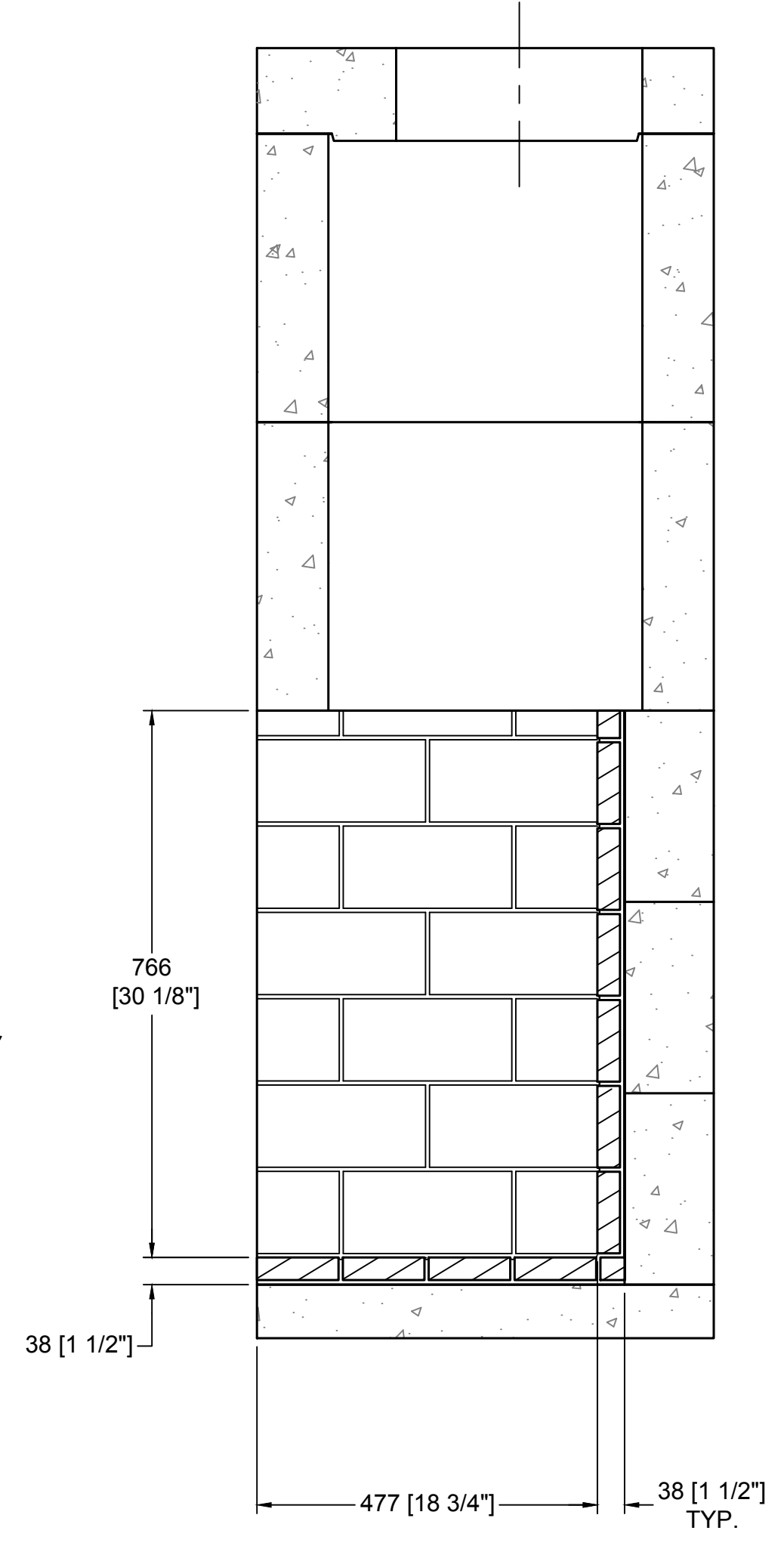
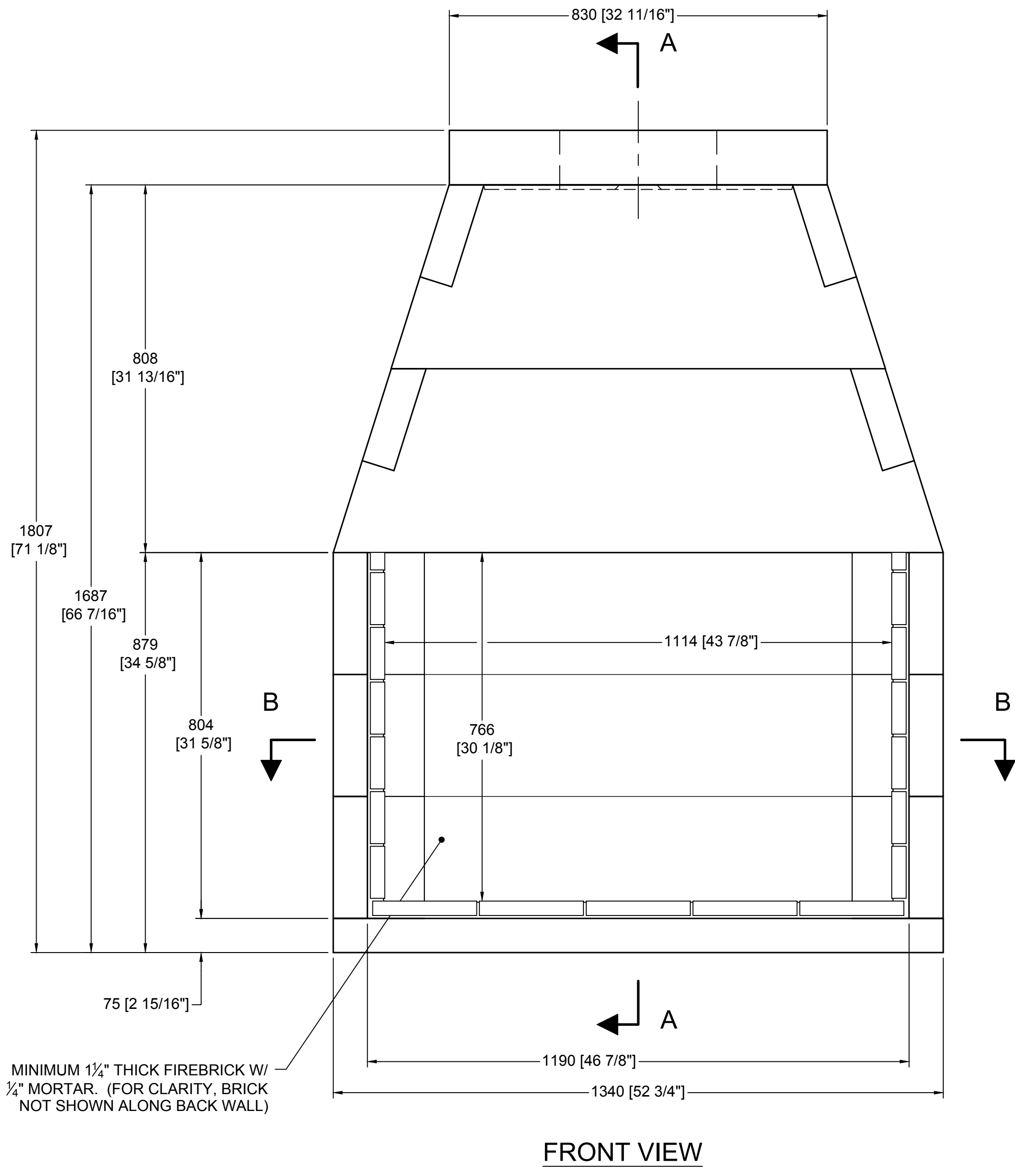
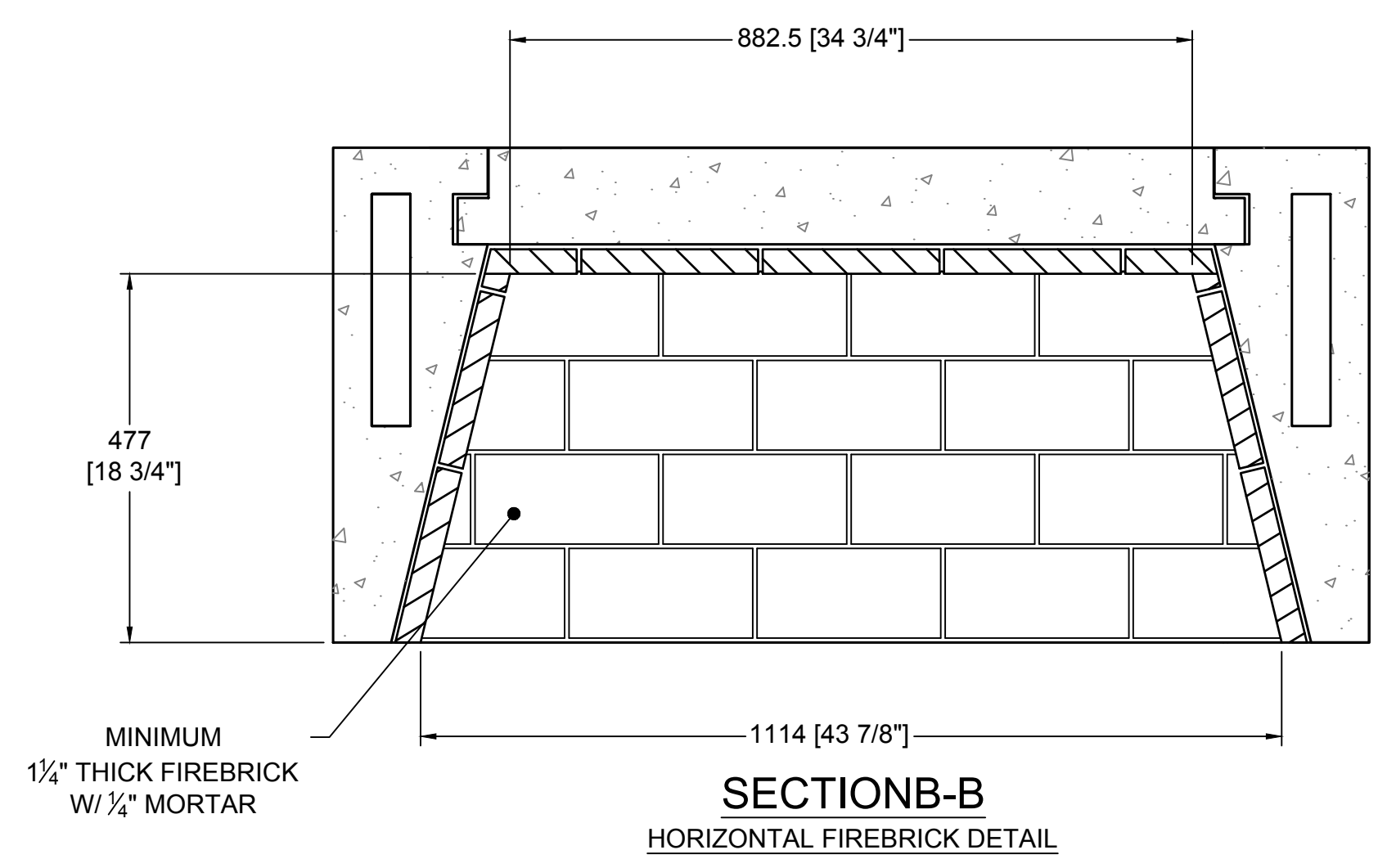
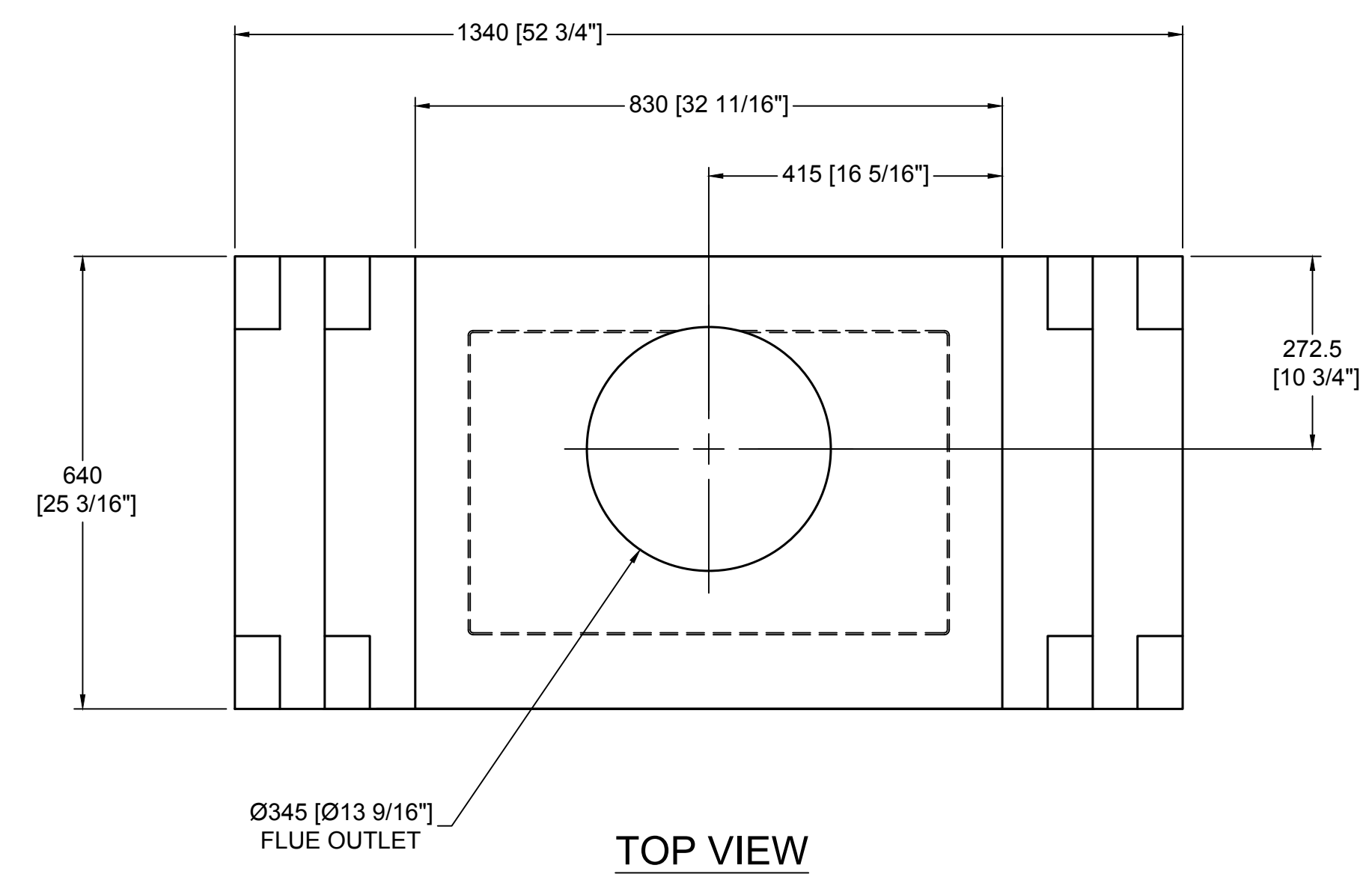
GENERAL NOTES

1. THE ISOKERN BVETTO MODELS ARE TOP-VENTED, GAS ONLY FIREPLACES THAT ARE LISTED FOR USE ONLY WITH THE ISOKERN GAS LOG APPLIANCE LISTED IN THE BVETTO INSTALLATION MANUAL. THESE GAS APPLIANCES COME WITH A GAS CONTROL VALVE THAT INCLUDES AN AUTOMATIC SHUT-OFF SWITCH. THE GAS VALVE IS AVAILABLE IN A MILLIVOLT REMOTE CONTROL PILOT ASSEMBLY.
2. THE EXHAUST FLUE GASES ARE TO BE VENTED THROUGH THE TOP OF THE UNIT WITH LISTED B-VENT PIPING. A TEN INCH (10") DIAMETER, DOUBLE WALL B-VENTING SYSTEM AND A LISTED VENT CAP ARE NOT SUPPLIED BUT ARE REQUIRED FOR PROPER OPERATION OF ALL BVETTO MODELS, 36 AND 46.
3. DRAWINGS ARE FOR DESIGN PURPOSES ONLY AND ARE THE SOLE PROPERTY OF EARTHCORE INDUSTRIES. ANY REPRODUCTION OR UNAUTHORIZED USE IS STRICTLY PROHIBITED.
4. EARTHCORE/ ISOKERN OR ANY DIVISION THEREOF SHALL NOT BE HELD LIABLE FOR ANY INCIDENTAL OR CONSEQUENTIAL DAMAGES OR EXPENSES ARISING OUT OF THE USE OF THE FIREPLACES OR CHIMNEY SYSTEMS.
5. ALWAYS CHECK LOCAL BUILDING CODES GOVERNING FIREPLACES AND FIREPLACE INSTALLATIONS.

ISOMETRIC VIEW (N.T.S)



	UNLESS OTHERWISE STATED, ALL DIMENSIONS ARE IN MILLIMETERS		PROJECT: 46" BVETTO SERIES		
	UNSPECIFIED TOLERANCES	THIRD ANGLE PROJECTION	DESCRIPTION: FIREPLACE CONSTRUCTION DOCUMENT		
MATERIAL: E.C. PUMICE MIXTURE	ANG: X ±		MATERIAL: E.C. PUMICE MIXTURE	DATE: 5/3/2018	SIZE: 1-1/2"=1'-0"
DRAWN: K.B.H.	LIN: X ±		DATE: 5/3/2018	SCALE: D	DRAWING #: 80B46
APPROVED:	XX ±		DATE:	DO NOT SCALE	SHEET # 1 OF 1



FRONT VIEW

**SECTION A-A
VERTICAL FIREBRICK DETAIL**

RIGHT-SIDE VIEW

TOP VIEW

**SECTION B-B
HORIZONTAL FIREBRICK DETAIL**