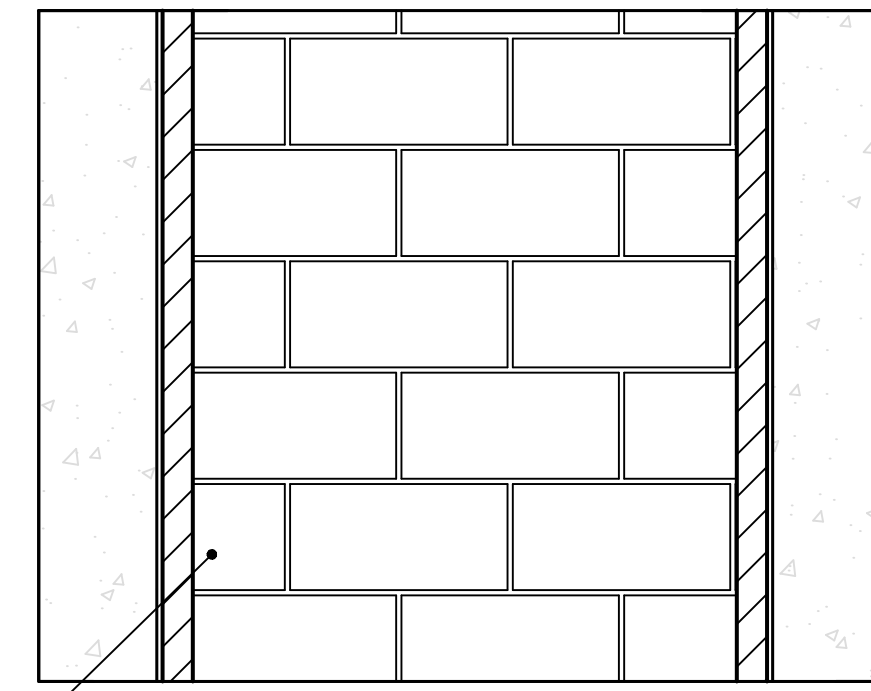
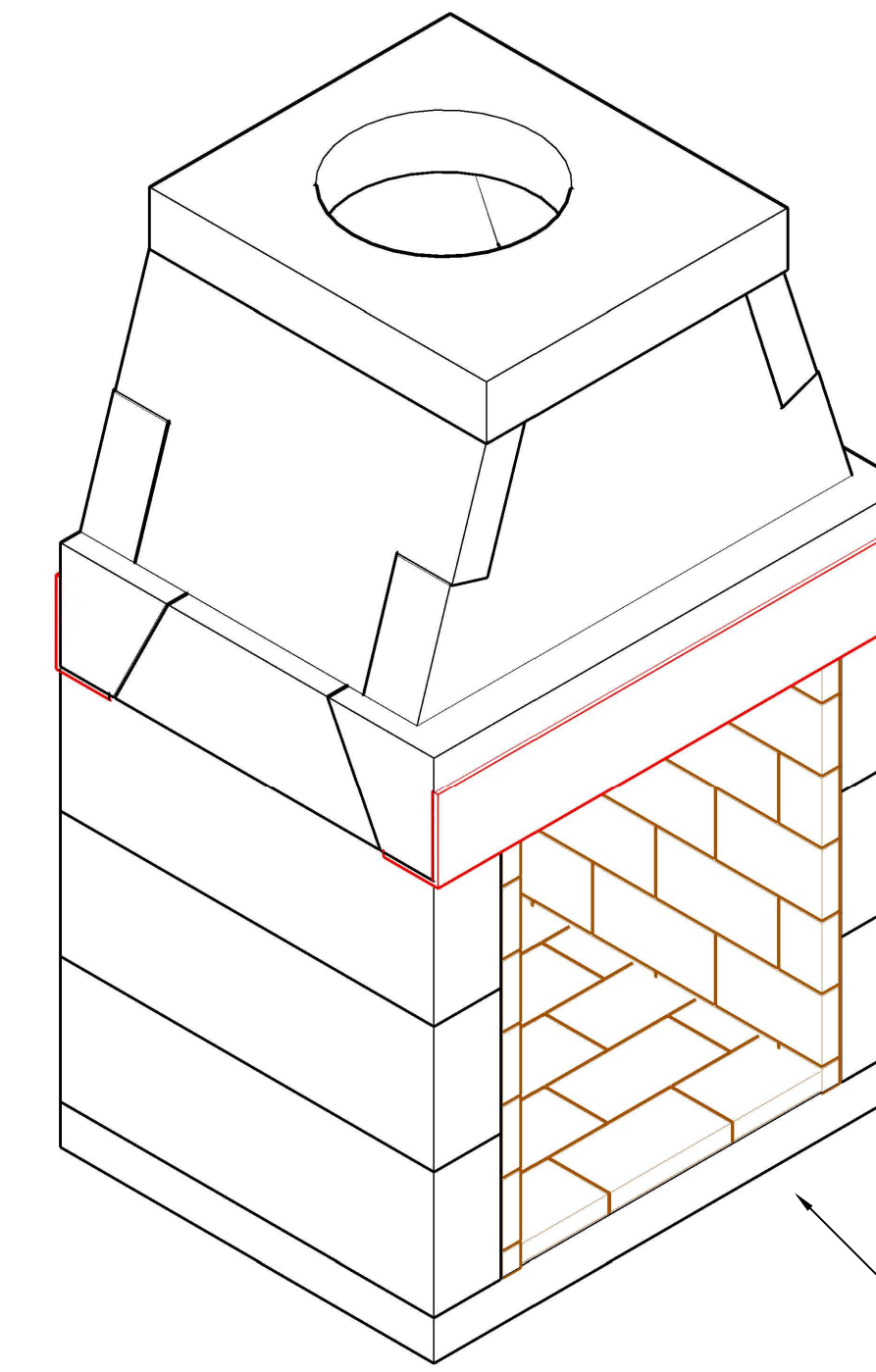


TOP VIEW



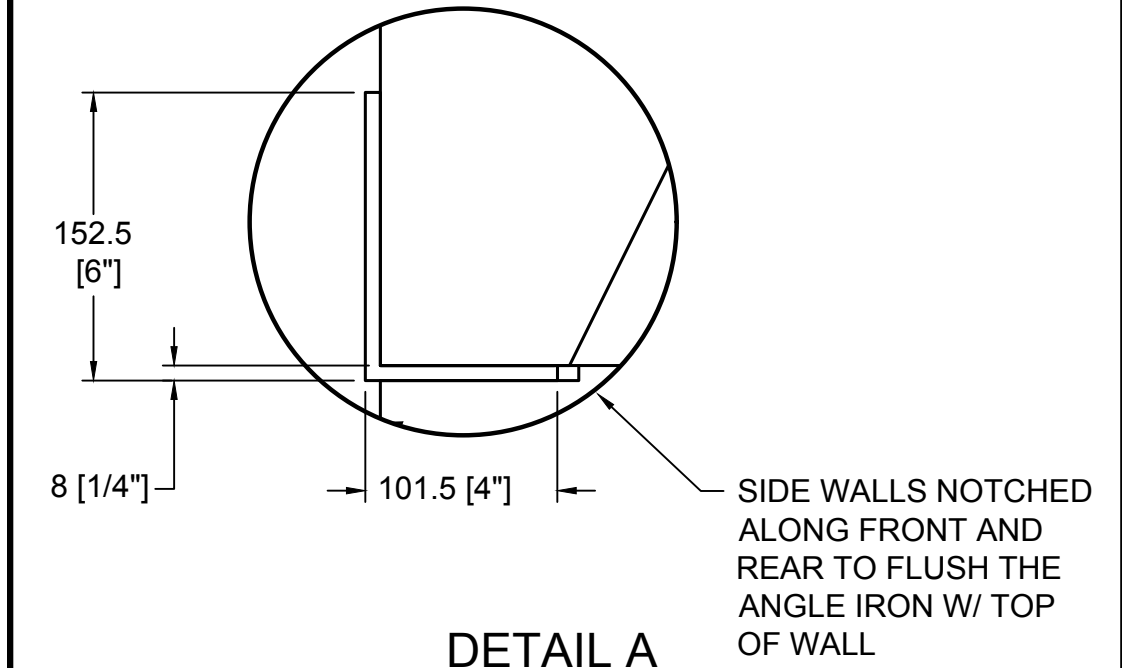
SECTION B-B
HORIZONTAL FIREBRICK DETAIL

MINIMUM
9" x 4 1/2" x 1 1/4" FIREBRICK
W/ 1/4" MORTAR.



ISOMETRIC VIEW
SCALE: N.T.S

MINIMUM
9" x 4 1/2" x 1 1/4" FIREBRICK
W/ 1/4" MORTAR



DETAIL A
DAMPER SUPPORT ANGLE
SCALE: 3"=1'-0"

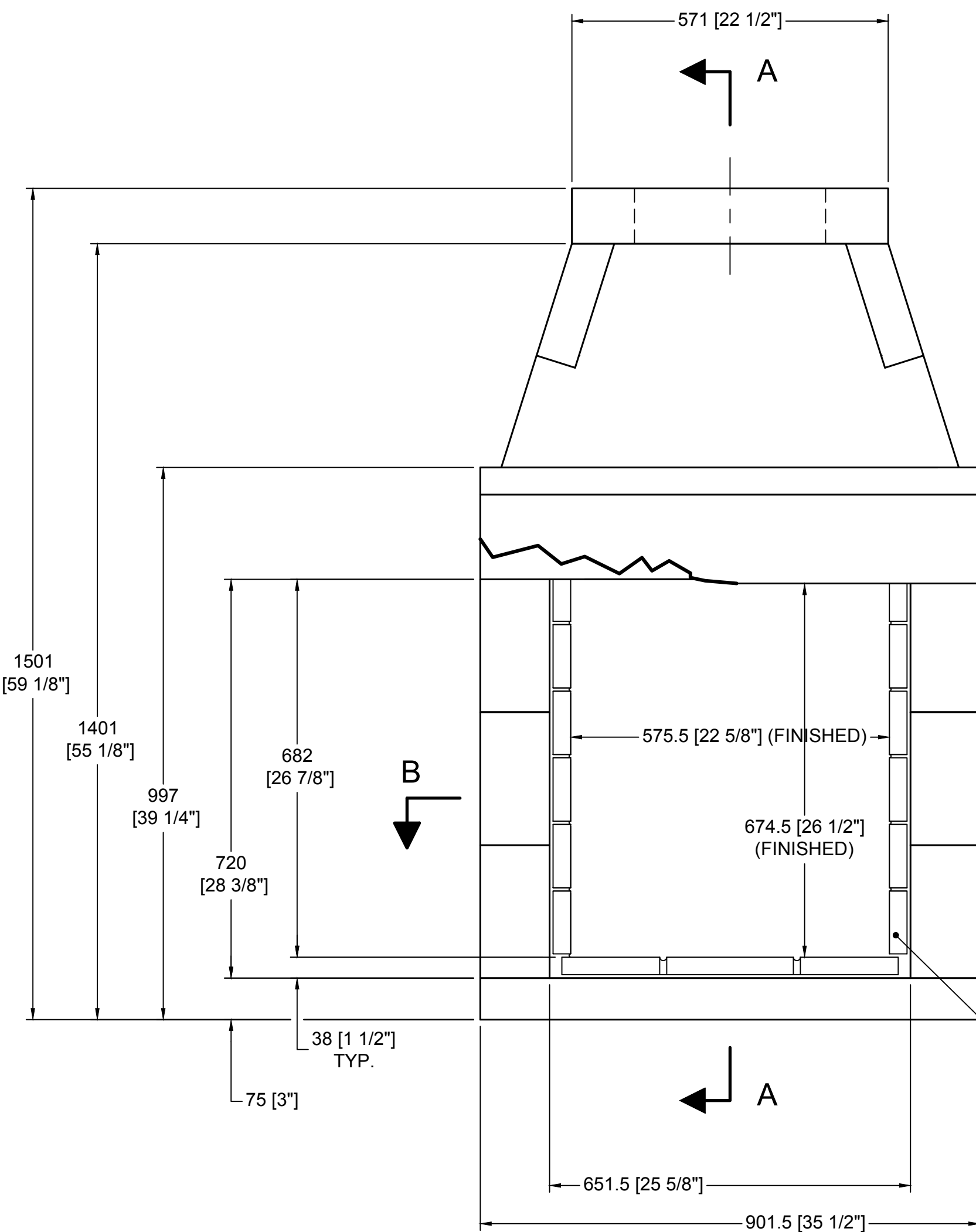
GENERAL NOTES

1. DRAWINGS ARE FOR DESIGN PURPOSES ONLY AND ARE THE SOLE PROPERTY OF EARTHCORE INDUSTRIES. ANY REPRODUCTION OR UNAUTHORIZED USE IS STRICTLY PROHIBITED.
2. EARTHCORE/ ISOKERN OR ANY DIVISION THEREOF SHALL NOT BE HELD LIABLE FOR ANY INCIDENTAL OR CONSEQUENTIAL DAMAGES OR EXPENSES ARISING OUT OF THE USE OF THE FIREPLACES OR CHIMNEY SYSTEMS.
3. ALWAYS CHECK LOCAL BUILDING CODES GOVERNING FIREPLACES AND FIREPLACE INSTALLATIONS.

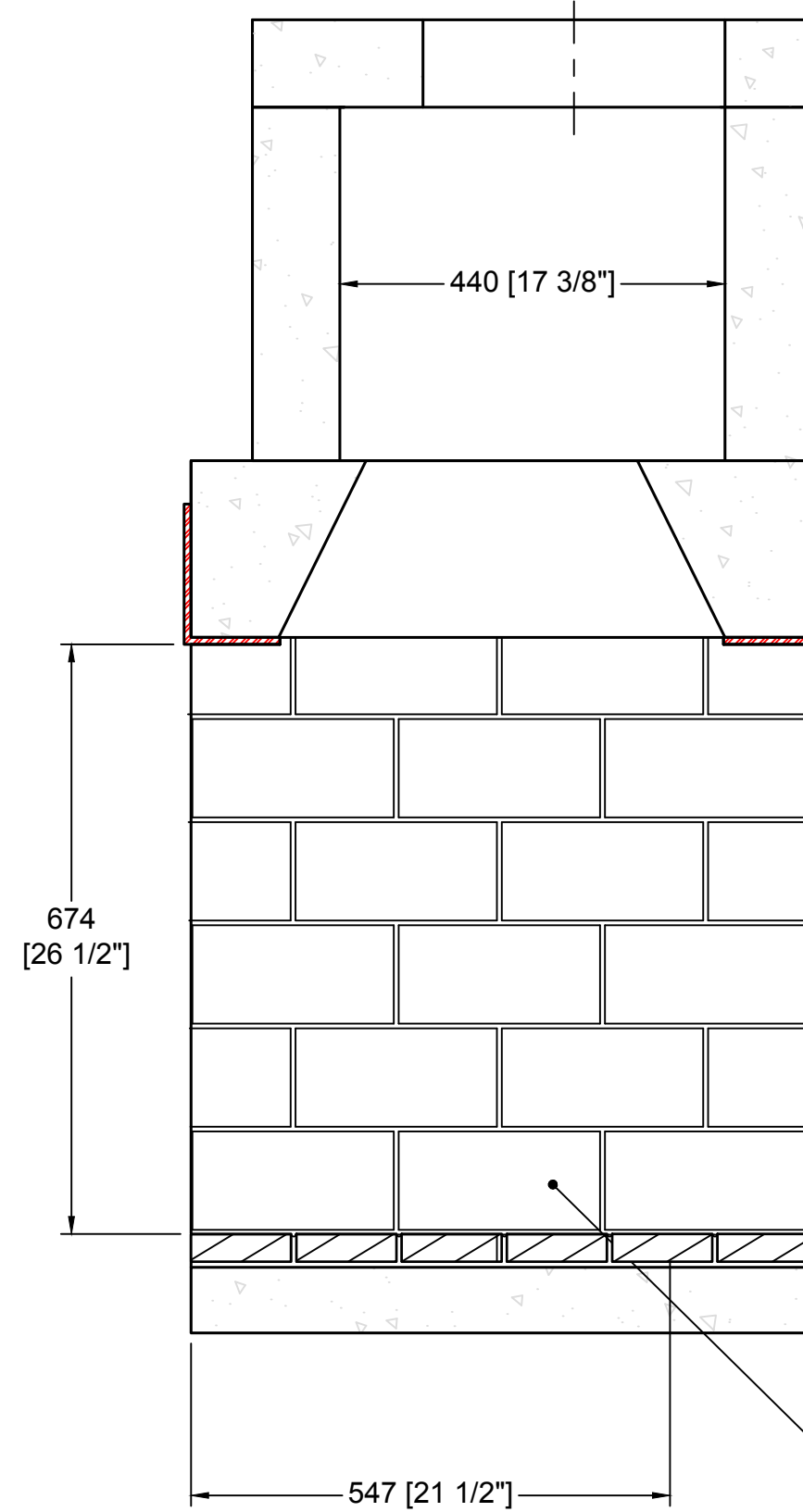
COMPONENT LIST

PART #	DESCRIPTION	QTY.
12	SMOKE DOME (SMALL)	2
34	TOP SLOPING	2
M66	BACKWALL-36" (MAG)	6
68	DAMPER BEAM-36"	2
36S	TOP PLATE W/345mm HOLE	1
M91	BASEPLATE-36" (MAG)	1
M94L/R	DAMPER END L/R (MAG)	1 EACH
100	4" x 6" x 3/8" ANGLE IRON, NOT SUPPLIED	2

DETAILS

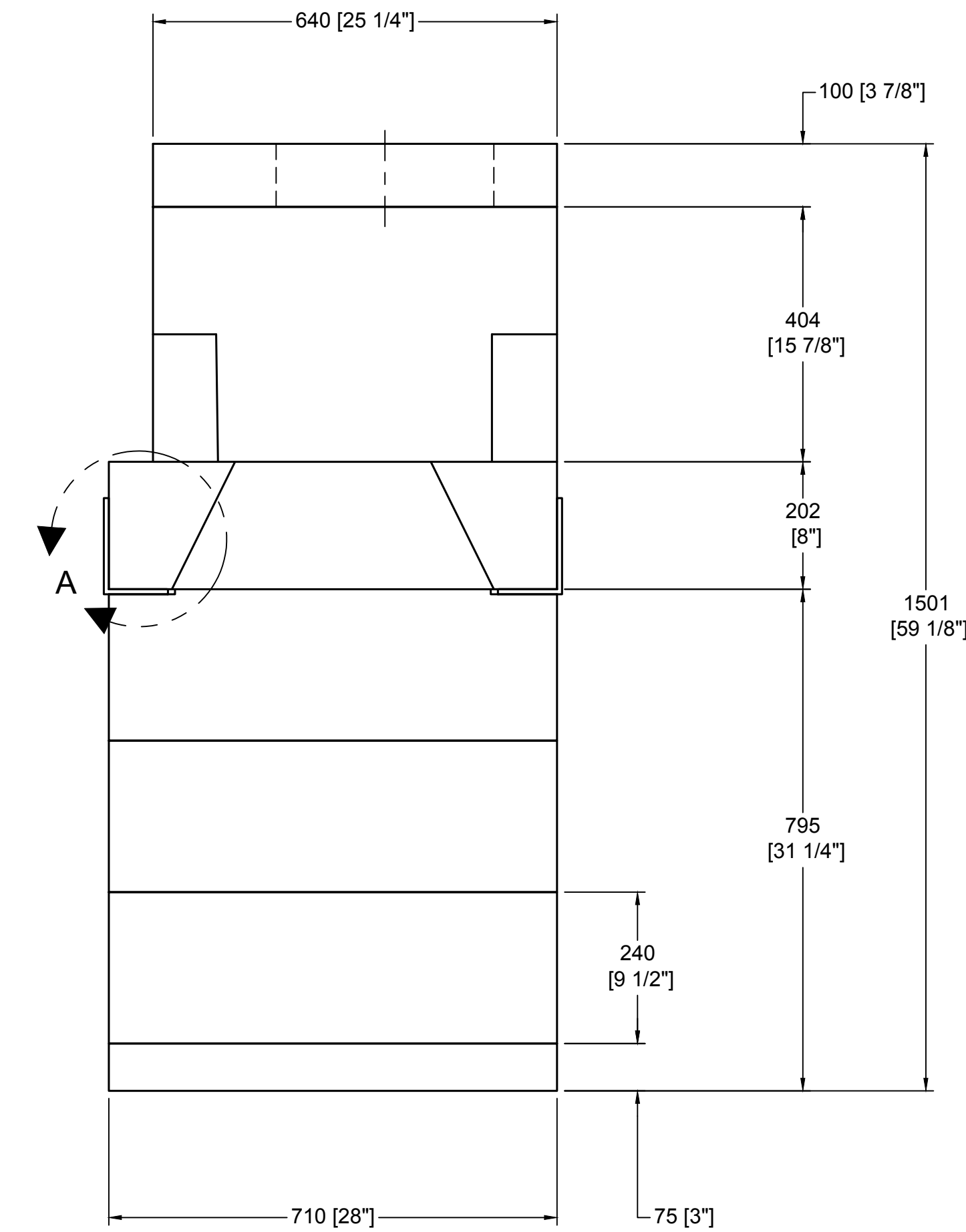


FRONT VIEW



SECTION A-A
VERTICAL BRICK SECTION

MINIMUM
9" x 4 1/2" x 1 1/4" FIREBRICK
W/ 1/4" MORTAR.



RIGHT SIDE VIEW



UNLESS OTHERWISE STATED, ALL DIMENSIONS ARE IN MILLIMETERS		PROJECT: 28 MAGNUM-SEE THRU	
UNSPECIFIED TOLERANCES	THIRD ANGLE PROJECTION	DESCRIPTION: FIREPLACE CONSTRUCTION DOCUMENT	
ANG. X ±		MATERIAL: E.C. PUMICE MIXTURE	DATE:
LIN. X ±		DRAWN: K.B.H.	DATE:
X ±		APPROVED:	DATE:
XX ±			
SIZE: 1-1/2"=1'-0"		DRAWING #: 82o28ST	REV:
D		DO NOT SCALE	SHEET # 1 OF 1