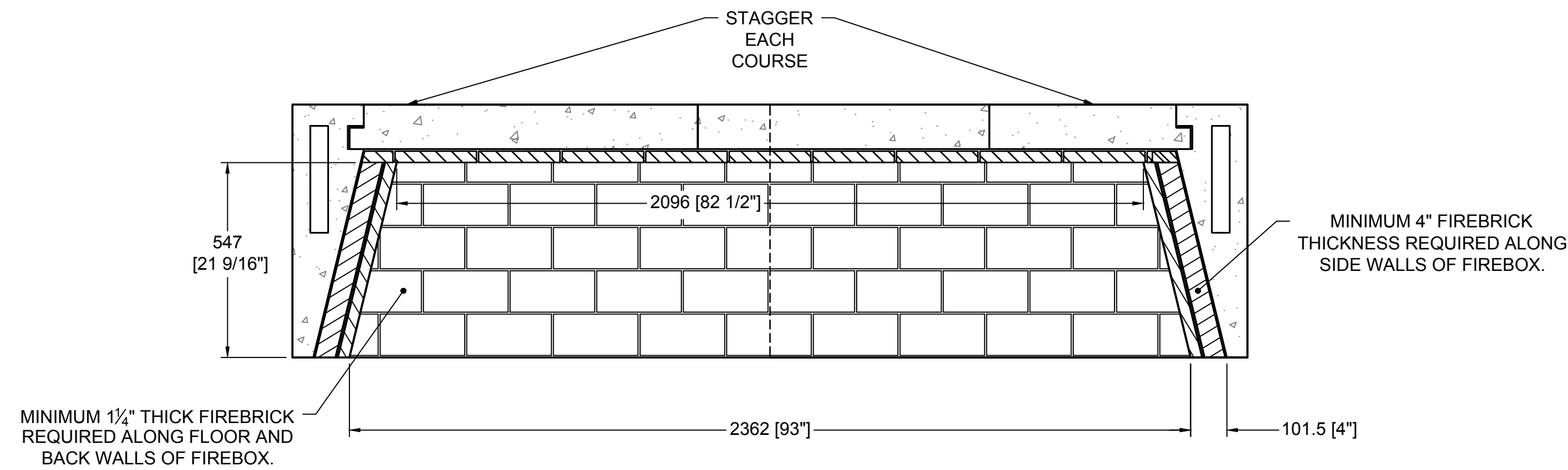
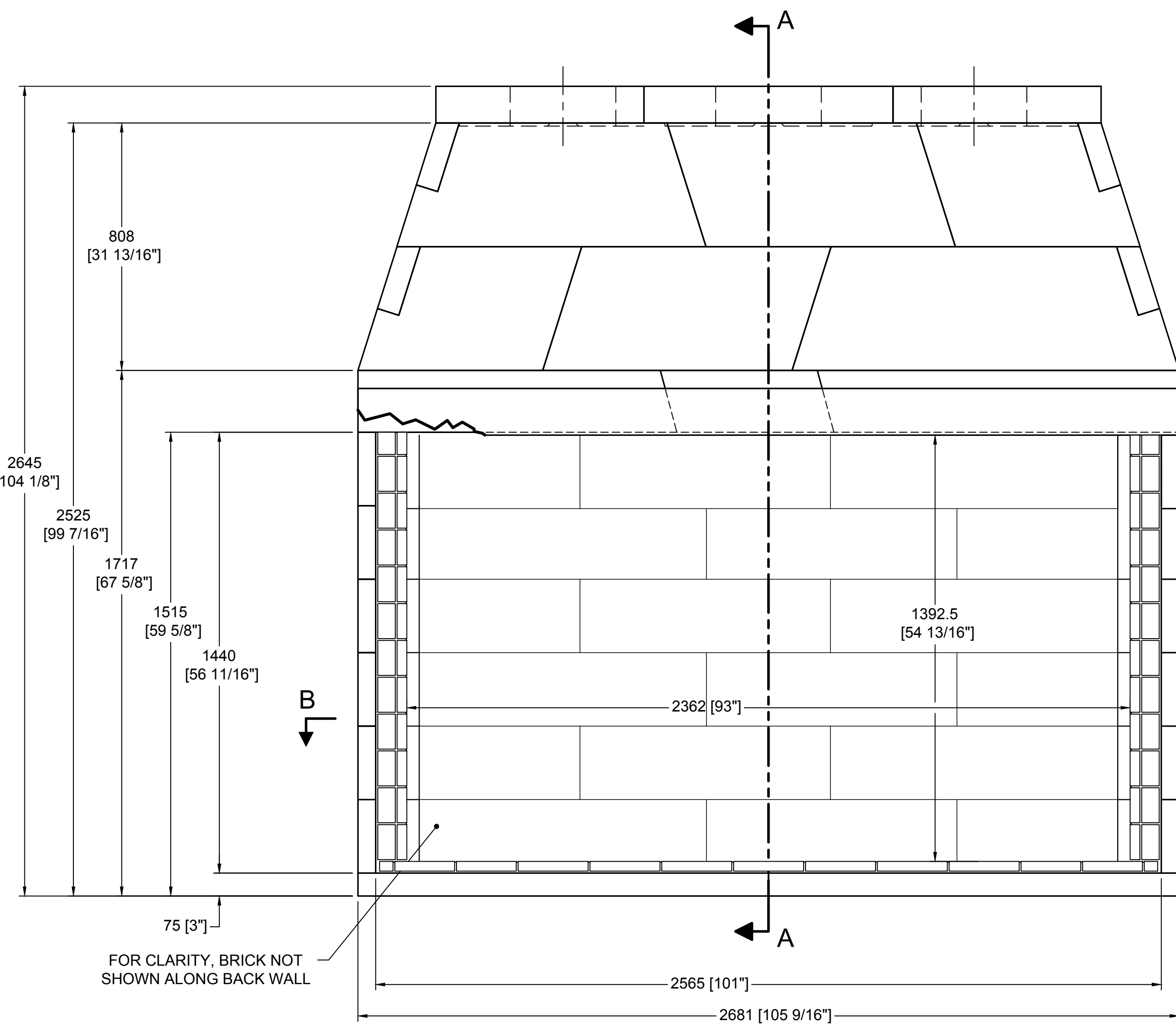


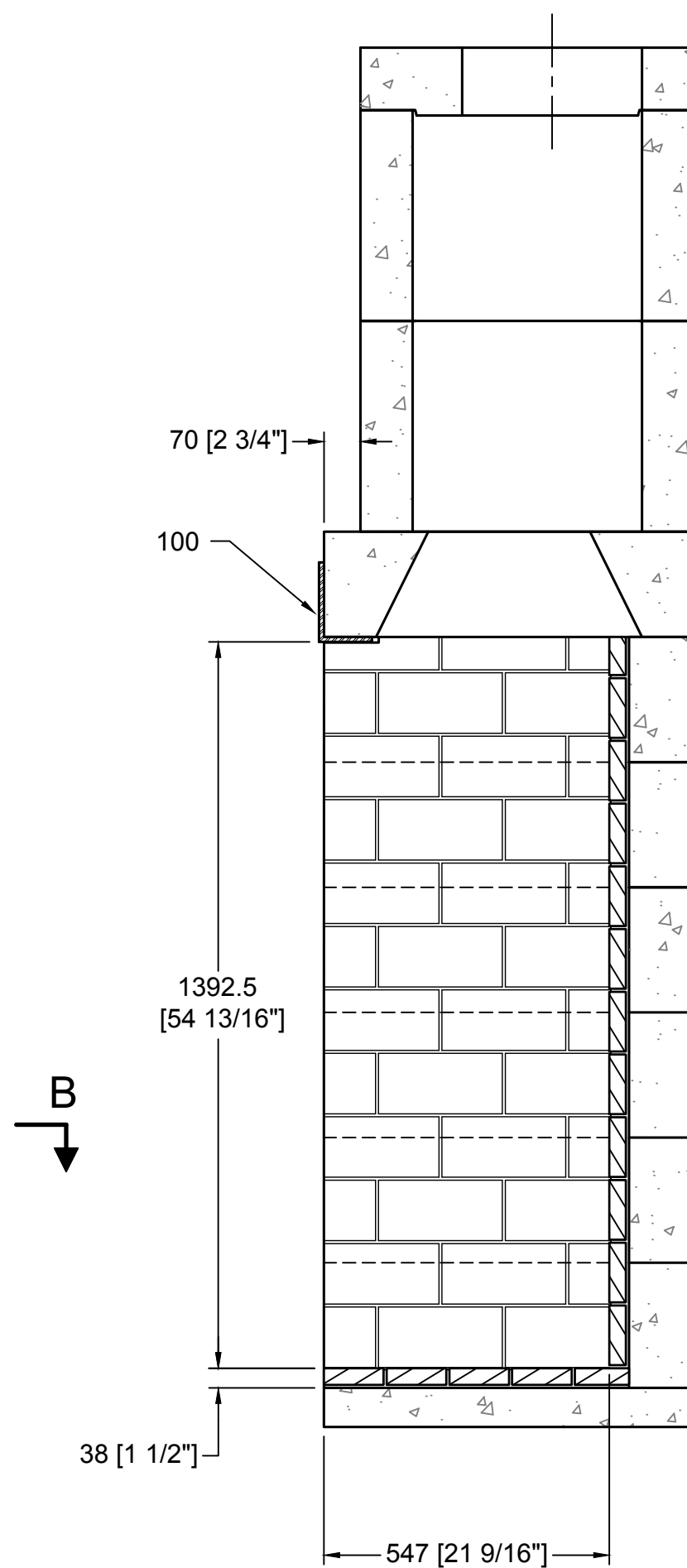
TOP VIEW



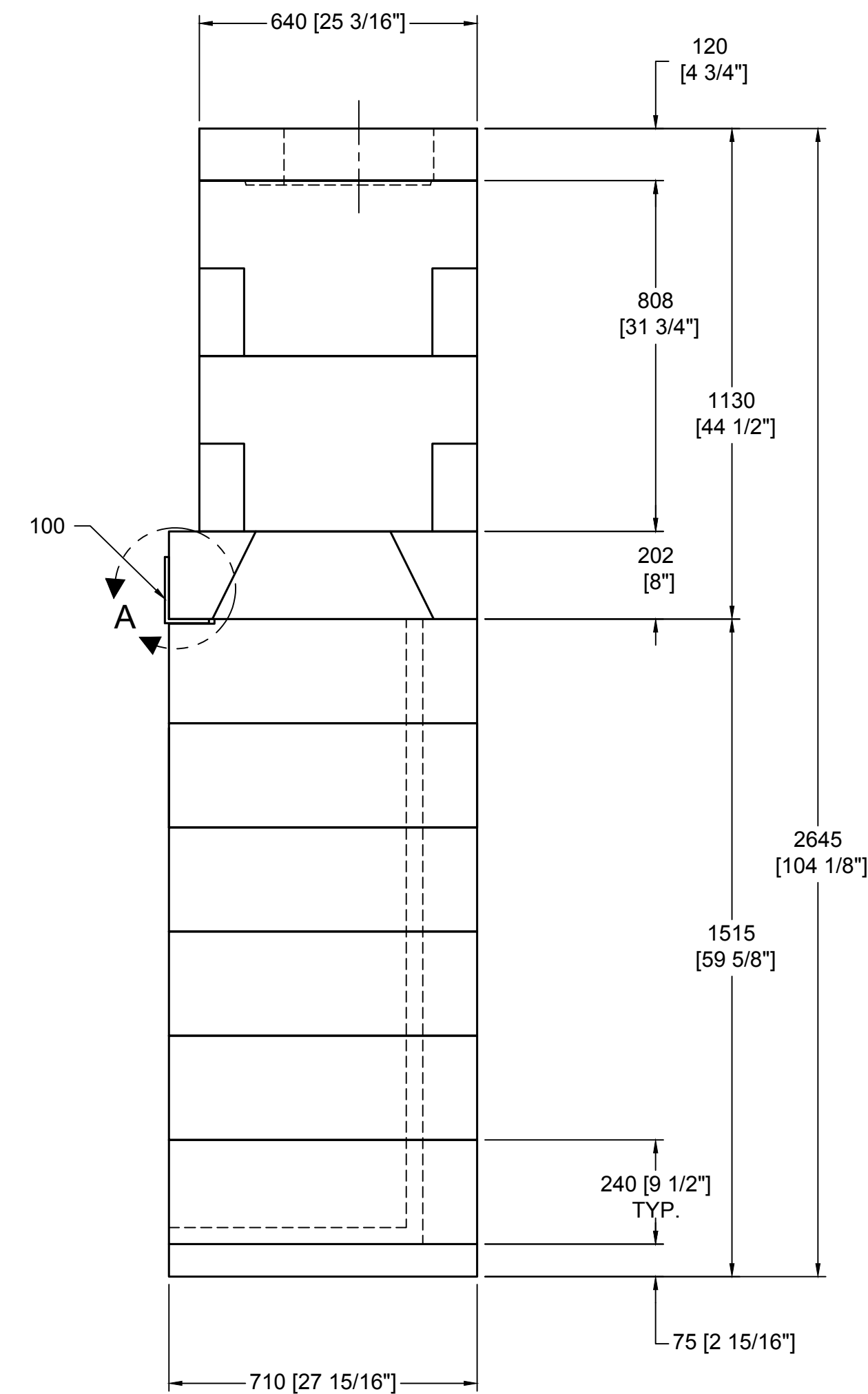
SECTION B-B
HORIZONTAL FIREBRICK DETAIL



FRONT VIEW



SECTION A-A
VERTICAL FIREBRICK DETAIL



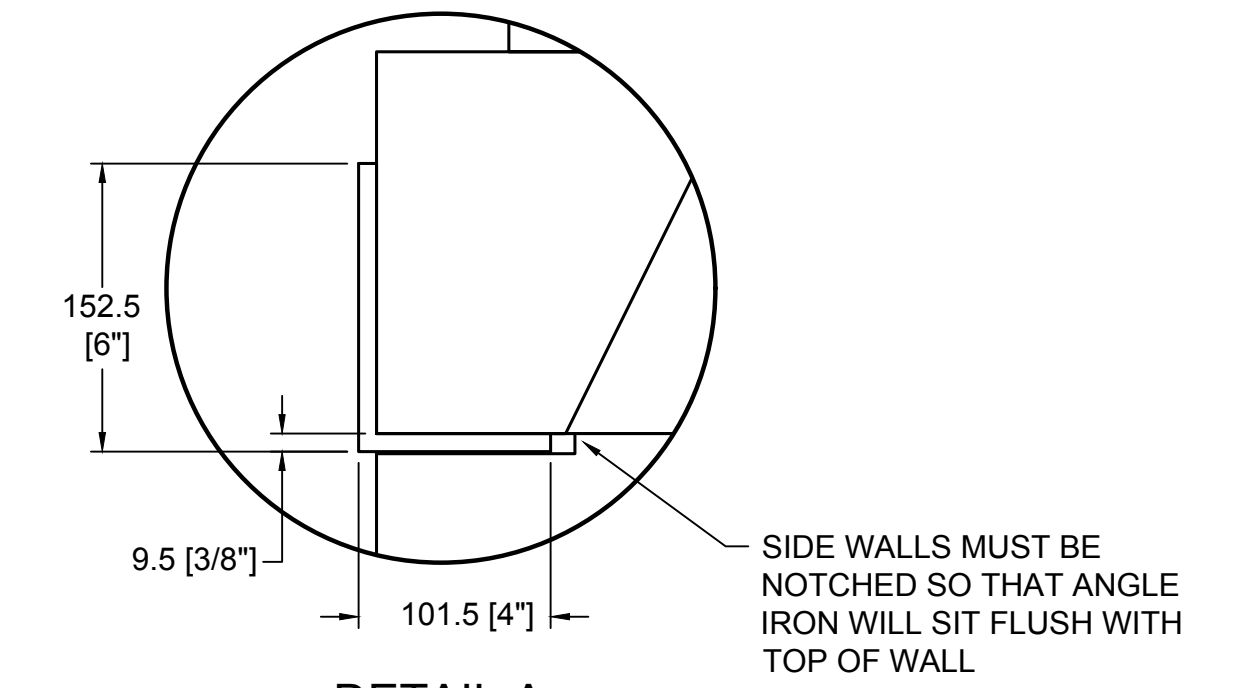
RIGHT-SIDE VIEW

COMPONENT LIST		
PART #	DESCRIPTION	QTY.
13	SMOKE DOME (LARGE)	4
15	SMOKE DOME (60 MAGNUM, SMALL)	4
16	SMOKE DOME (60/ 72 MAGNUM, LARGE)	2
17	SMOKE DOME (60 MAGNUM, MEDIUM)	2
34	TOP SLOPING	4
68	DAMPER BEAM (36")	2
M66	BACK WALL (42 MAGNUM)	6
71	BACKWALL (60" MAGNUM)	6
72	BACKWALL (60/ 72" MAGNUM)	6
77a	TOP PLATE W/ 345mm HOLE	1
79L/79R	TOP PLATE W/ 345mm HOLE (60 MAGNUM)	2 (1 EACH)
83	DAMPER BEAM (72" MAGNUM)	2
84	DAMPER BEAM (72" MAGNUM)	2
M90	SIDEWALL MAG	12
M93	BASEPLATE (48" MAGNUM)	2
M94L/R	DAMPER END L/R MAG	2(1 EACH)
100	4"x6"x $\frac{3}{8}$ " ANGLE IRON; NOT SUPPLIED	1

GENERAL NOTES

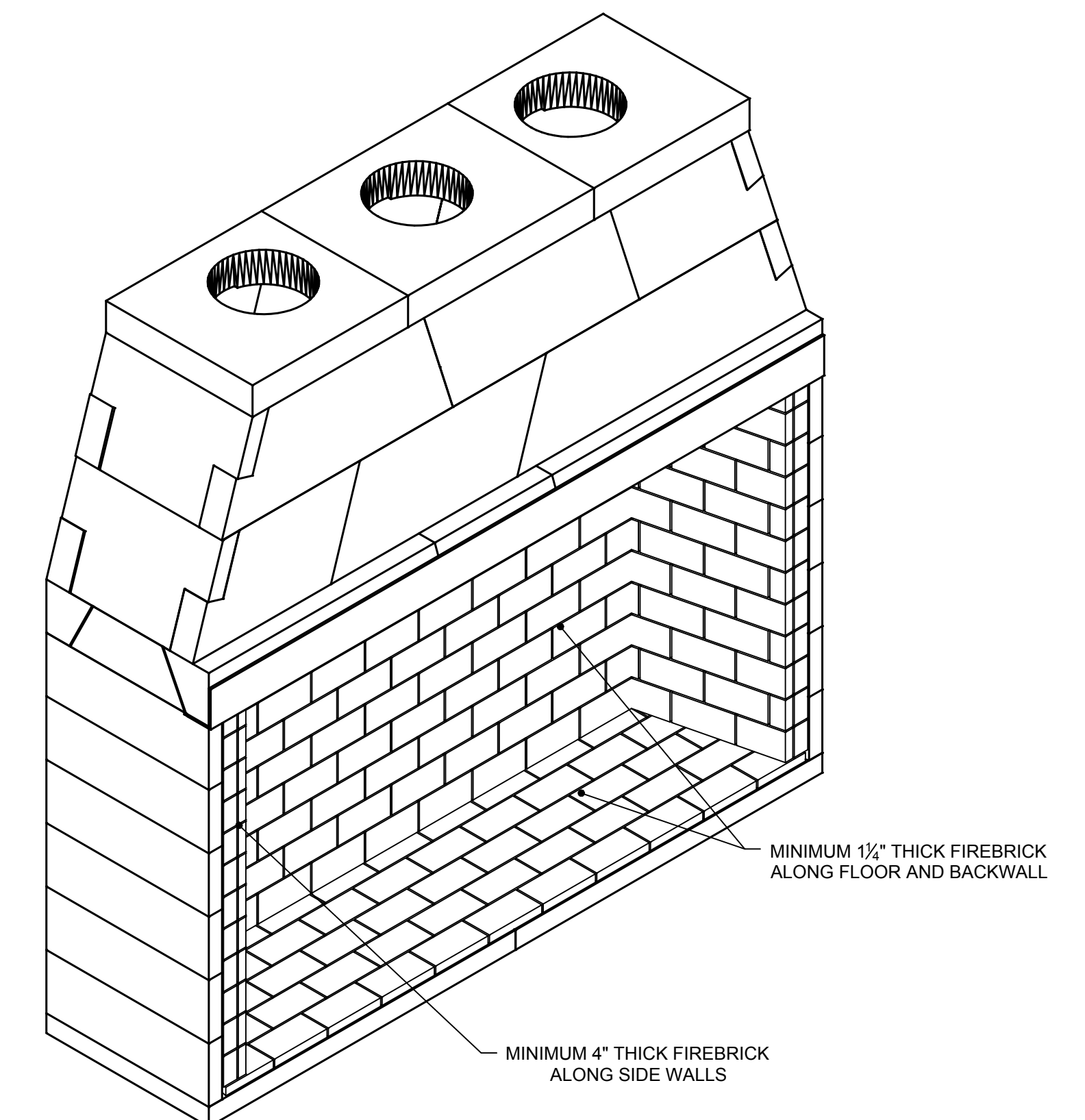
1. THIS CUSTOM ISOKERN FIREPLACE CARRIES NO LISTING, UL OR OTHERWISE.
2. DRAWINGS ARE FOR DESIGN PURPOSES ONLY AND ARE THE SOLE PROPERTY OF EARTHCORE INDUSTRIES. ANY REPRODUCTION OR UNAUTHORIZED USE IS STRICTLY PROHIBITED.
3. EARTHCORE/ ISOKERN OR ANY DIVISION THEREOF SHALL NOT BE HELD LIABLE FOR ANY INCIDENTAL OR CONSEQUENTIAL DAMAGES OR EXPENSES ARISING OUT OF THE USE OF THE FIREPLACES OR CHIMNEY SYSTEMS.
4. ALWAYS CHECK LOCAL BUILDING CODES GOVERNING FIREPLACES AND FIREPLACE INSTALLATIONS. MECHANICAL VENTILATION ASSISTANCE MAY BE REQUIRED FOR THIS DESIGN.
5. TWO (2) COMBUSTION AIR INLET KITS ARE REQUIRED BY EARTHCORE FOR THE 60 AND 72 MAGNUM FIREPLACE MODELS. WE RECOMMEND USE OF THE 04" AIR KIT FOR RUNS UP TO 20'. IF YOU REQUIRE A LONGER LENGTH WE RECOMMEND THAT YOU USE A FIVE INCH (5") DIAMETER PIPE FOR THE COMPLETE RUN UP TO THIRTY FEET (30') OR A SIX INCH (6") DIAMETER PIPE FOR A RUN OF UP TO FORTY FEET (40').
6. MECHANICAL VENTILATION ASSISTANCE MAY BE REQUIRED WITH THIS DESIGN.

DETAILS (N.T.S)



DETAIL A
DAMPER SUPPORT ANGLE

COMPONENT CALLOUT (N.T.S)



	UNLESS OTHERWISE STATED, ALL DIMENSIONS ARE IN MILLIMETERS		PROJECT: 96" MAGNUM-TALL	
	UNSPECIFIED TOLERANCES	THIRD ANGLE PROJECTION	DESCRIPTION: FIREPLACE CONSTRUCTION DOCUMENT	
ANG. X ±		MATERIAL: E.C. PUMICE MIXTURE		
LIN. X ±		DRAWN: K.B.H.	DATE: 5/3/2018	SIZE: 1"=1'-0"
X ±		APPROVED:	DATE:	SCALE: D
XX ±				DO NOT SCALE