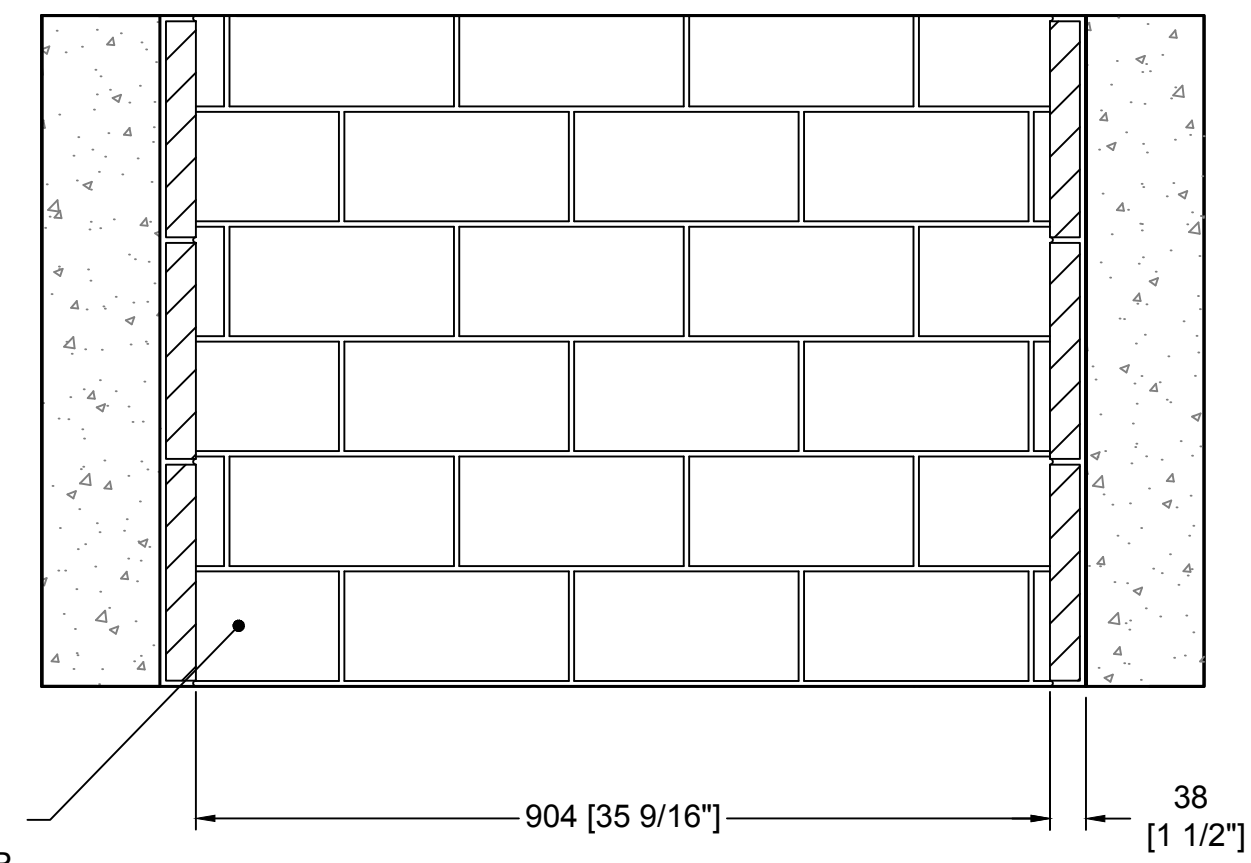
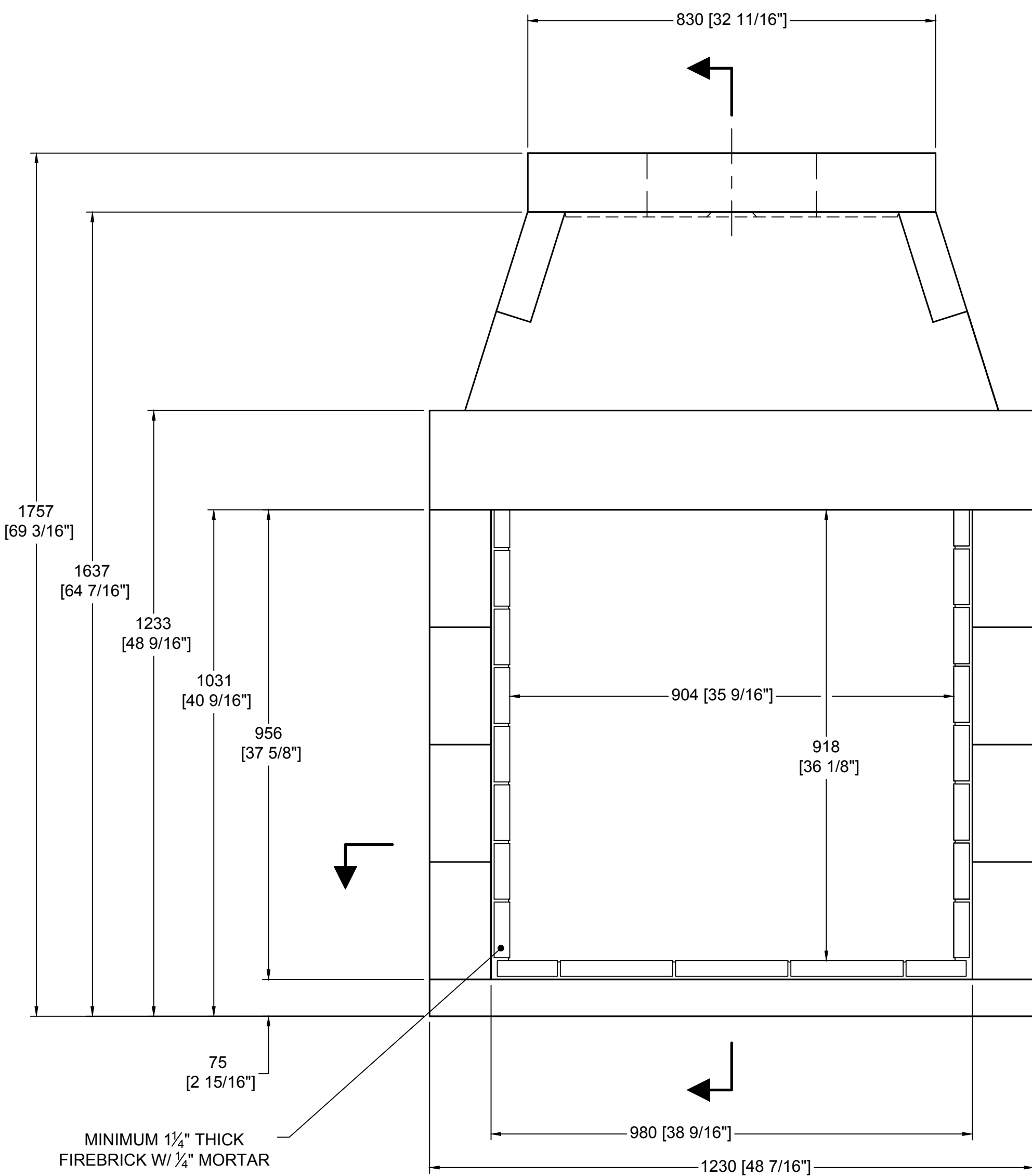


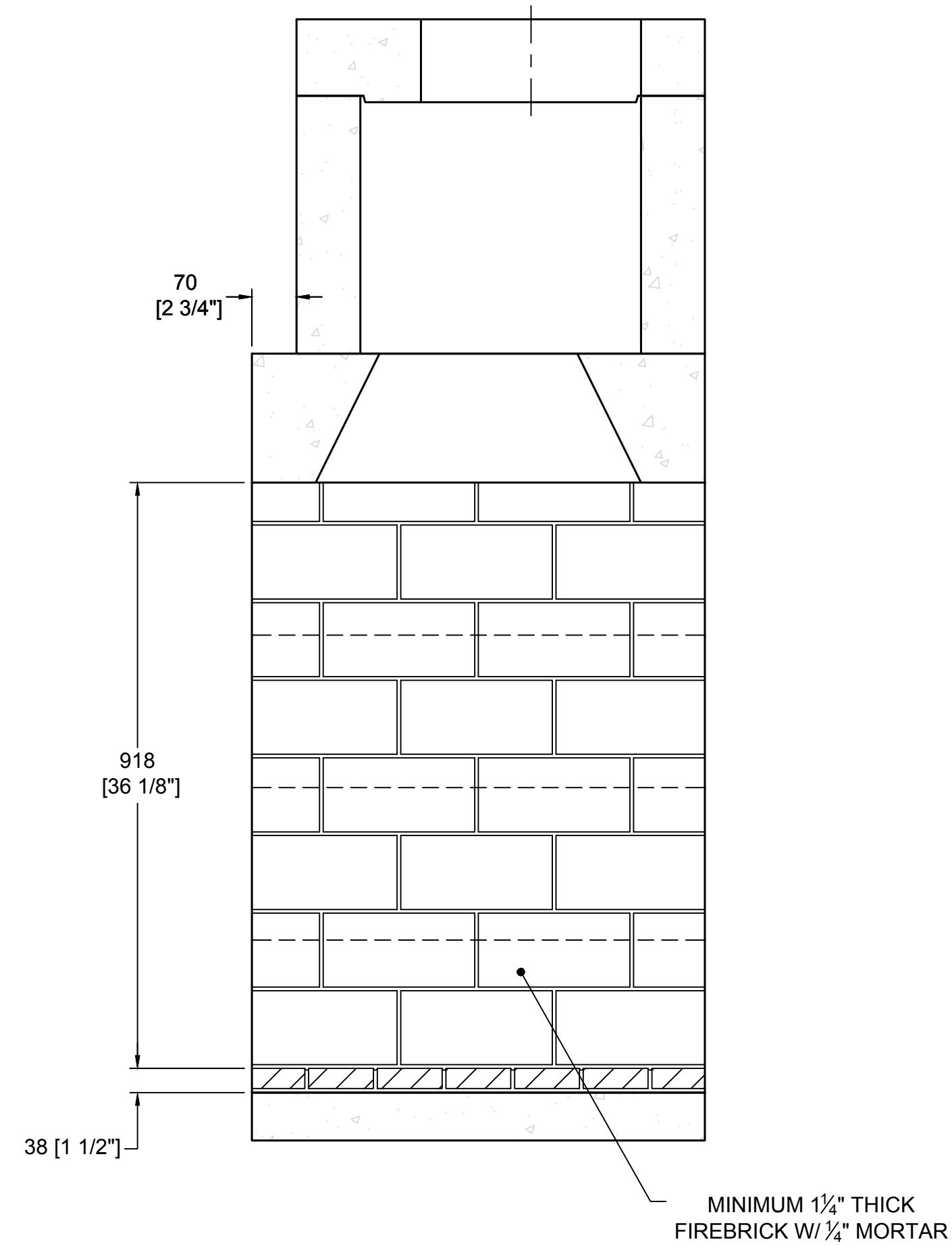
TOP VIEW



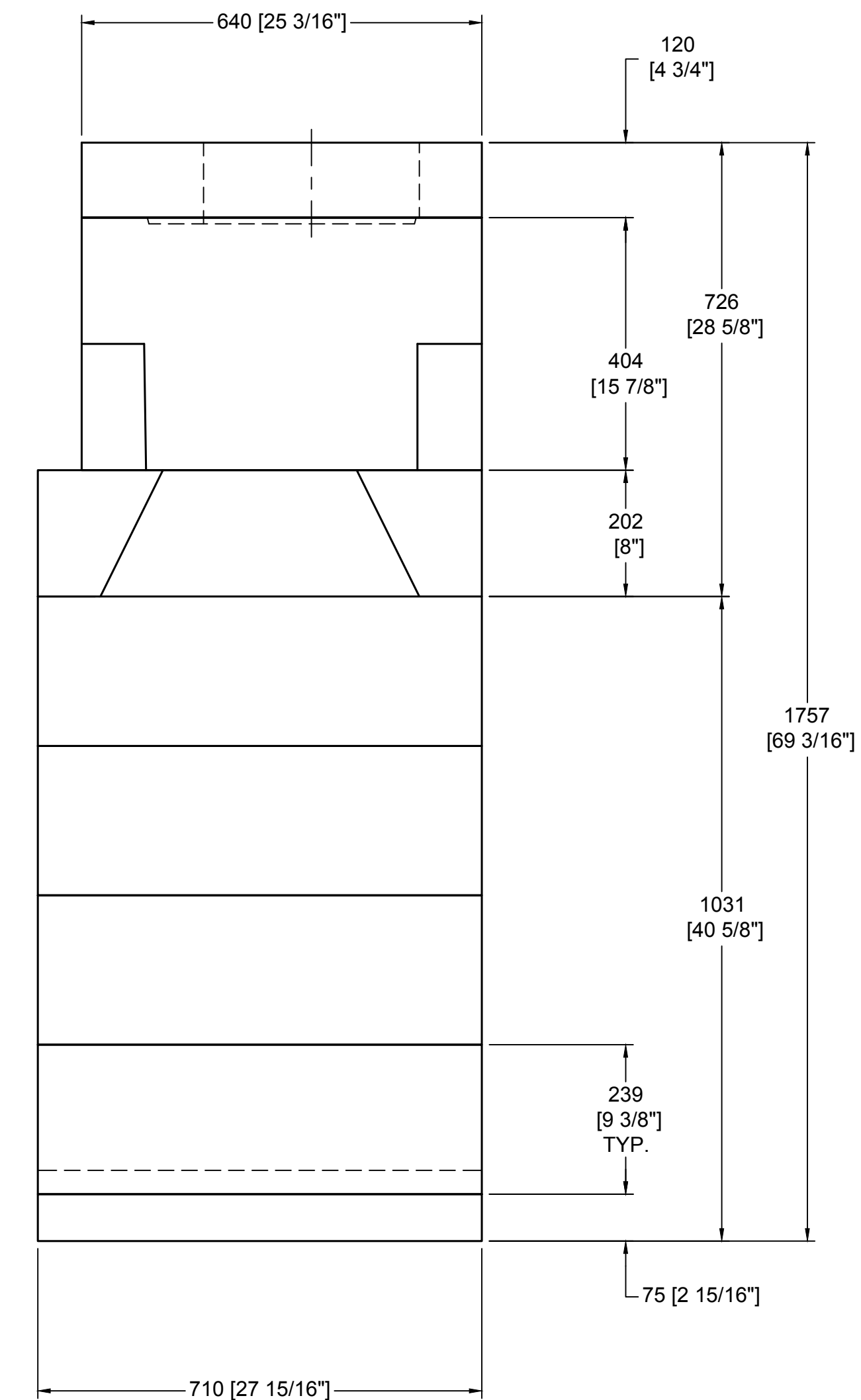
SECTION B-B
HORIZONTAL FIREBRICK DETAIL



FRONT VIEW



SECTION A-A
VERTICAL FIREBRICK DETAIL



RIGHT-SIDE VIEW

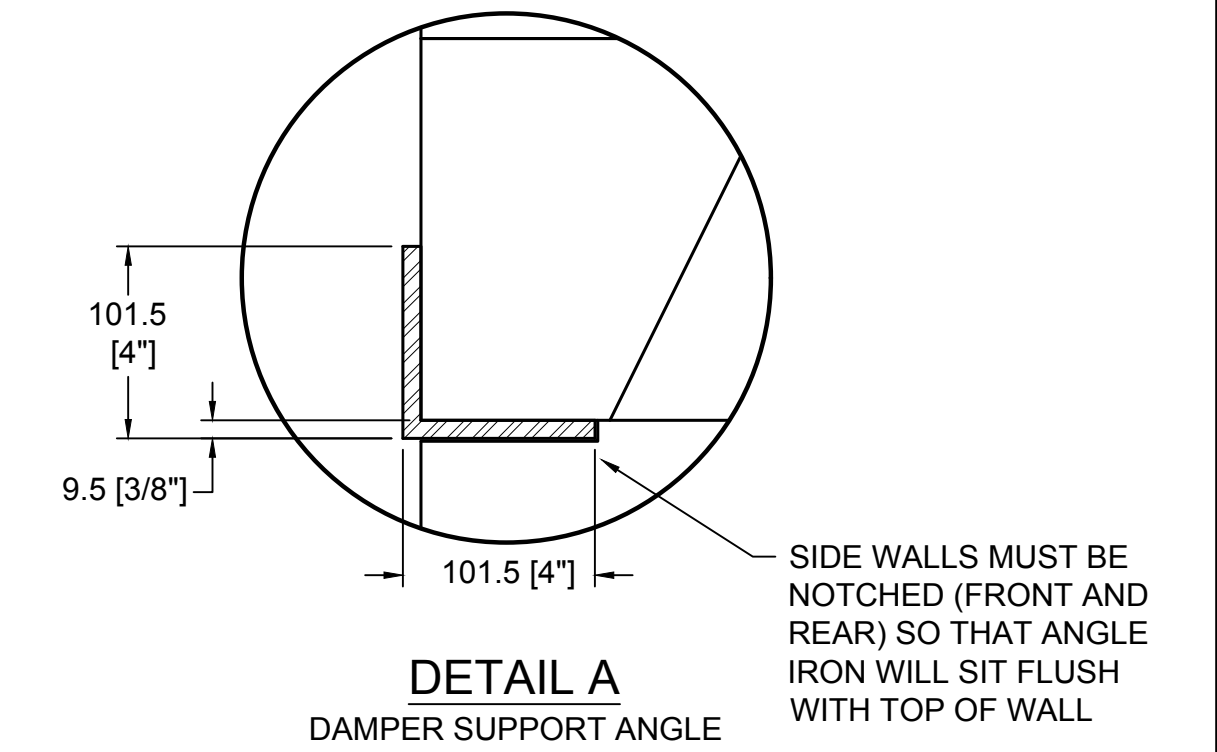
COMPONENT LIST

PART #	DESCRIPTION	QTY.
11	SMOKE DOME (MIDDLE)	2
34	TOP SLOPING	2
M66	BACK WALL-42" (MAG)	8
69	DAMPER BEAM-42"	2
77A	TOP PLATE W/345mm HOLE	1
M92	BASEPLATE-42" (MAG)	1
M94L/R	DAMPER END L/R (MAG)	2(1 EACH)

GENERAL NOTES

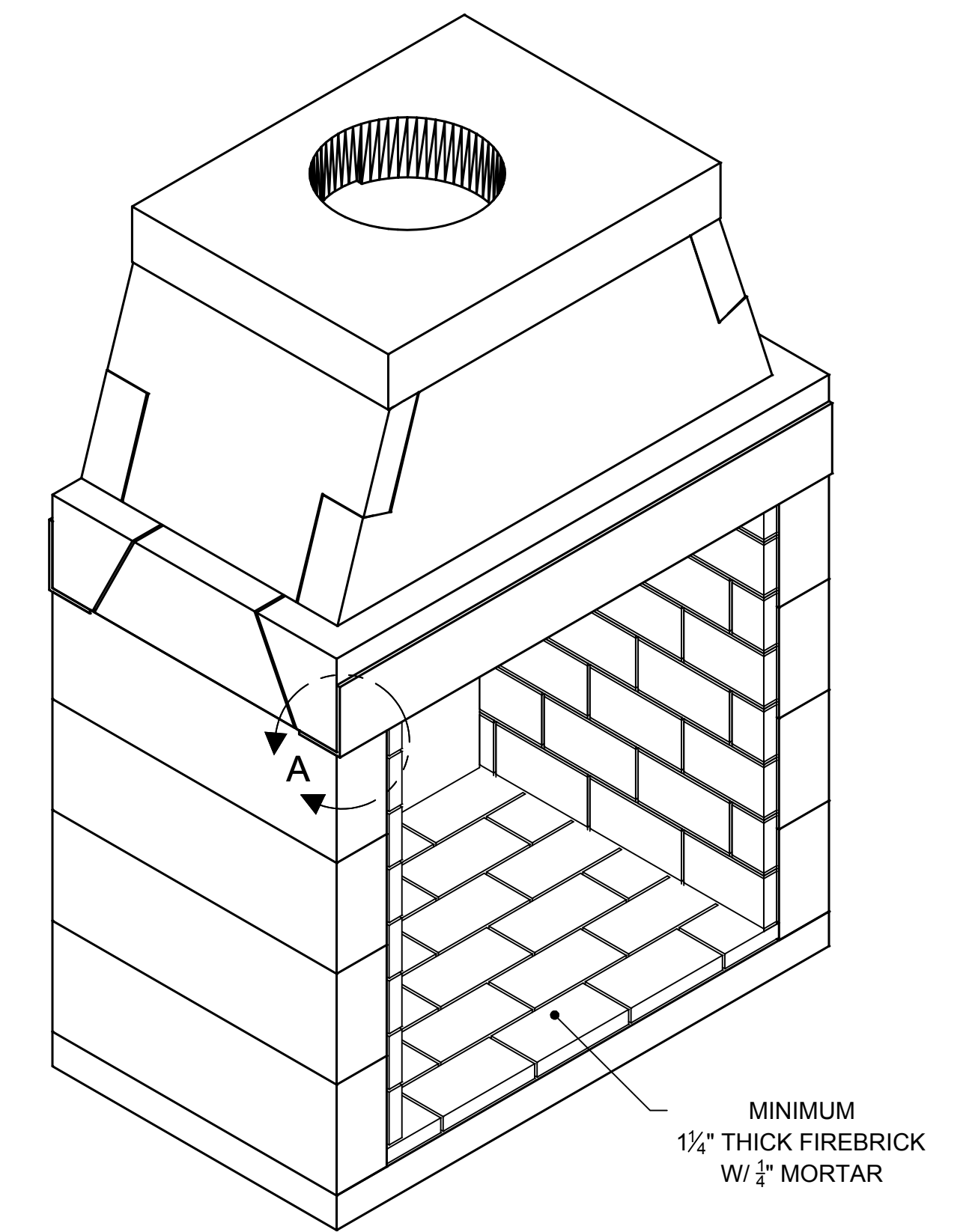
1. THIS IS A CUSTOM ISOKERN FIREPLACE AND CARRIES NO LISTING, UL OR OTHERWISE.
2. DRAWINGS ARE FOR DESIGN PURPOSES ONLY AND ARE THE SOLE PROPERTY OF EARTHCORE INDUSTRIES. ANY REPRODUCTION OR UNAUTHORIZED USE IS STRICTLY PROHIBITED.
3. EARTHCORE/ ISOKERN OR ANY DIVISION THEREOF SHALL NOT BE HELD LIABLE FOR ANY INCIDENTAL OR CONSEQUENTIAL DAMAGES OR EXPENSES ARISING OUT OF THE USE OF THE FIREPLACES OR CHIMNEY SYSTEMS.
4. ALWAYS CHECK LOCAL BUILDING CODES GOVERNING FIREPLACES AND FIREPLACE INSTALLATIONS.
5. COMBUSTION AIR INLET KITS ARE REQUIRED BY EARTHCORE. WE RECOMMEND USE OF THE Ø4" AIR KIT FOR RUNS UP TO 20'. IF YOU REQUIRE A LONGER LENGTH WE RECOMMEND THAT YOU USE A FIVE INCH (5") DIAMETER PIPE FOR THE COMPLETE RUN UP TO THIRTY FEET (30') OR A SIX INCH (6") DIAMETER PIPE FOR A RUN OF UP TO FORTY FEET (40').

DETAILS (N.T.S.)



DETAIL A
DAMPER SUPPORT ANGLE

ISOMETRIC VIEW (N.T.S.)



NOTE: WHENEVER THE MAXIMUM DM CHIMNEY HEIGHT OF 57' IS EXCEEDED, OR IN ANY INSTANCE WHERE THE ISOKERN BRICK LEDGE IS USED, IT IS REQUIRED THAT THE FIREBOX/SMOKE DOME ASSEMBLY INCLUDE THE PLACEMENT OF A 4" BY 4" BY 3/8" MINIMUM STEEL ANGLE ACROSS THE FIREBOX OPENING. (SEE DETAIL A)



UNLESS OTHERWISE STATED, ALL DIMENSIONS ARE IN MILLIMETERS		PROJECT: 36" MAGNUM-SEE THRU	
UNSPECIFIED TOLERANCES	THIRD ANGLE PROJECTION	DESCRIPTION: FIREPLACE CONSTRUCTION DOCUMENT	
ANG. X ±		MATERIAL: E.C. PUMICE MIXTURE	SIZE: SCALE: DRAWING #:
LIN. X ±		DATE: X/XX/XX	82036ST
X ±		APPROVED: K.B.H.	DO NOT SCALE
XX ±		DATE:	SHEET # 1 OF 1