



ISOKERN

MAGNUM
All Fuel Fireplace



Taking YOUR FIREPLACE *to New Heights*

Fan the flames of innovation and take your fireplace to new heights. The Magnum Series Fireplace offers wood burning or gas solutions with the largest openings available in the market, models include 36", 42", 48", 60" & 72". Utilizing Isokern's proprietary straight-back interior design coupled with an innovative contoured shelf, the modular Magnum Series provides unequalled efficiency, performance and custom fireplace design flexibility.

Insight into our technology



Extracted from Iceland's Mt. Hekla volcano, Isokern products are made from the cleanest, purest pumice. Manufactured in the United States, our masonry components cradle the raw power of fire in the safest, most energy-efficient material on earth. Isokern allows architects and their clients to pursue their most inspired designs, while connecting with the natural beauty of fire in a way that, until now, only nature could.

Magnum 42"
Indoor Application
Custom Firebrick
Running Bond Pattern
Vented Gas Log Set



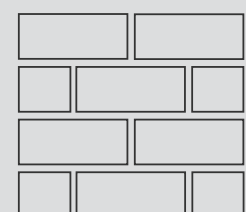
Magnum 48"
Outdoor Application
Soap Firebrick - Red
Herringbone Pattern
Outdoor Vented
Gas Log Set



Magnum 36"
Indoor Application
Soap Firebrick - Cream
Running Bond Pattern
Wood Burning

For True CRAFTSMANSHIP HAND LAID *Firebrick*

Choose from an array of firebrick options that will suit any interior decor. Shown below are examples of the most distinctive patterns that deliver the true craftsmanship quality to all Isokern products.



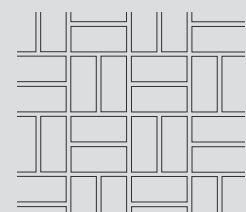
Running Bond



Stack Bond



Herringbone

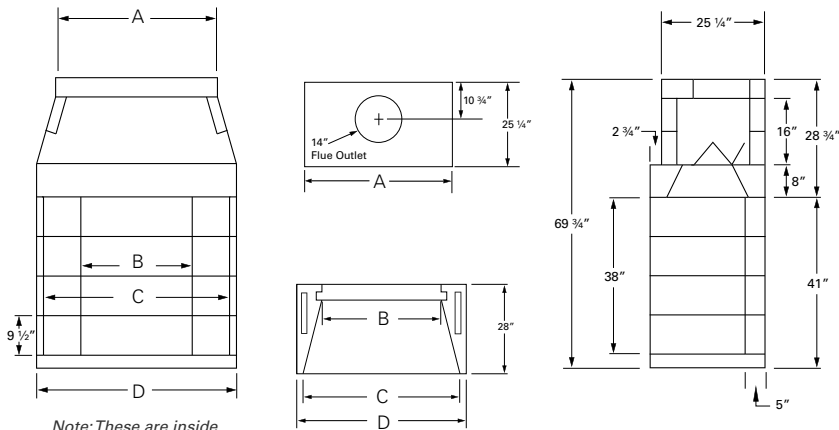


Basket Weave

Firebrick Sizes:
Full - 9" x 4½" x 2½"
Split - 9" x 4½" x 1¼"
Soap - 9" x 2" x 1¼"



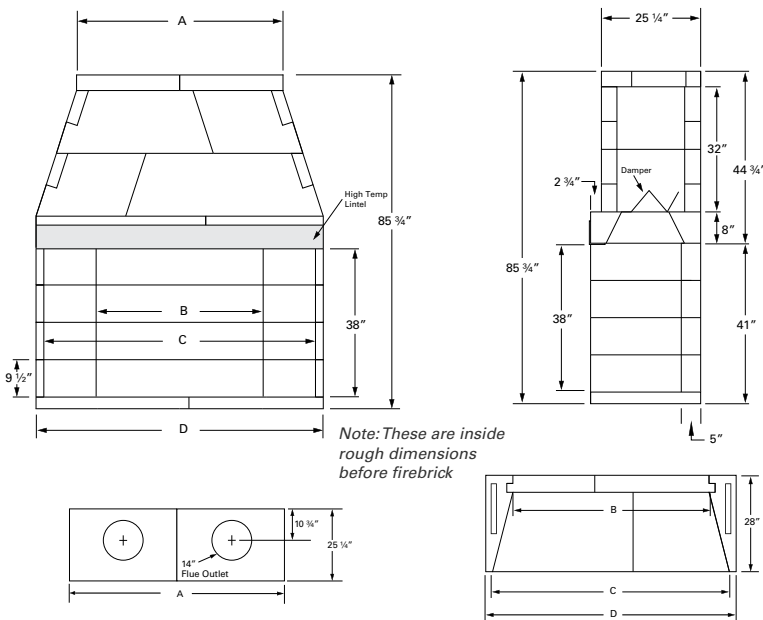
MAGNUM 36", 42" & 48"



Note: These are inside rough dimensions before firebrick

MAGNUM	A	B	C	D
36" MODEL	33"	27 1/4"	38 3/8"	43"
42" MODEL	33"	33 1/4"	44 1/2"	49"
48" MODEL	43"	37 1/4"	48 1/2"	53"

MAGNUM 60" & 72"



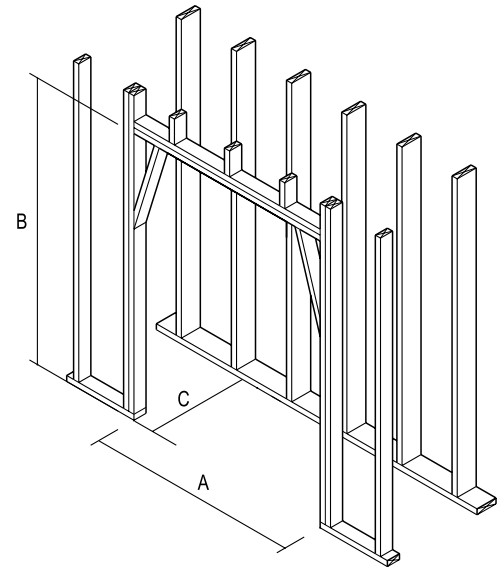
Note: These are inside rough dimensions before firebrick

MAGNUM	A	B	C	D
60" MODEL	53 1/2"	57 1/4"	69"	73 1/2"
72" MODEL	66"	69 3/4"	81 1/4"	85 1/2"

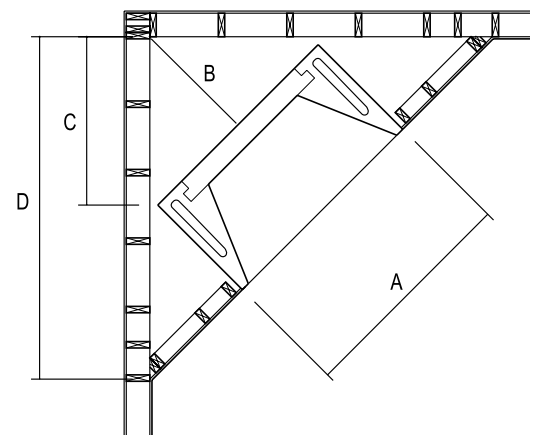
IMPORTANT NOTES: As with any heating appliance, fireplace or stove, this fireplace is extremely hot during operation. Read and understand all operating instructions before using this fireplace. For further information, consult your dealer. Local conditions, such as elevation, wind, vent configuration and choice of fuel will affect overall appearance of the fire and heating performance. Performance can also vary with home design and insulation, climate, condition and type of fuel used, appliance location, burn rate, accessories chosen, chimney installation and how the appliance is operated.

Diagrams, illustrations and photographs are not to scale - consult installation instructions. Product designs, materials, dimensions, specifications, colors and prices are subject to change or discontinue without notice.

Framing Dimensions



MAGNUM	A	B	C
36" MODEL	46"	71"	29 1/2"
42" MODEL	52"	71"	29 1/2"
48" MODEL	56"	71"	29 1/2"
60" MODEL	76 1/2"	87 1/4"	29 1/2"
72" MODEL	88 1/2"	87 1/4"	29 1/2"



MAGNUM	A	B	C	D
36" MODEL	43"	16 3/4"	32"	78 3/4"
42" MODEL	49"	26 1/2"	36"	83"
48" MODEL	53"	28 1/2"	39"	85 3/4"
60" MODEL	76 1/2"	39"	53 1/2"	102 1/2"
72" MODEL	88 1/2"	45"	62"	111"

Featured on the Cover: Magnum 48"
Soap Firebrick - Red, Herringbone Pattern
Shown with Francois & Co. Chambord Mantel

earthcore[®]

©2016 Earthcore Industries, LLC
MKG1002_1116



Visit us online earthcore.co



Tested & Listed to
UL 127, ULC S610