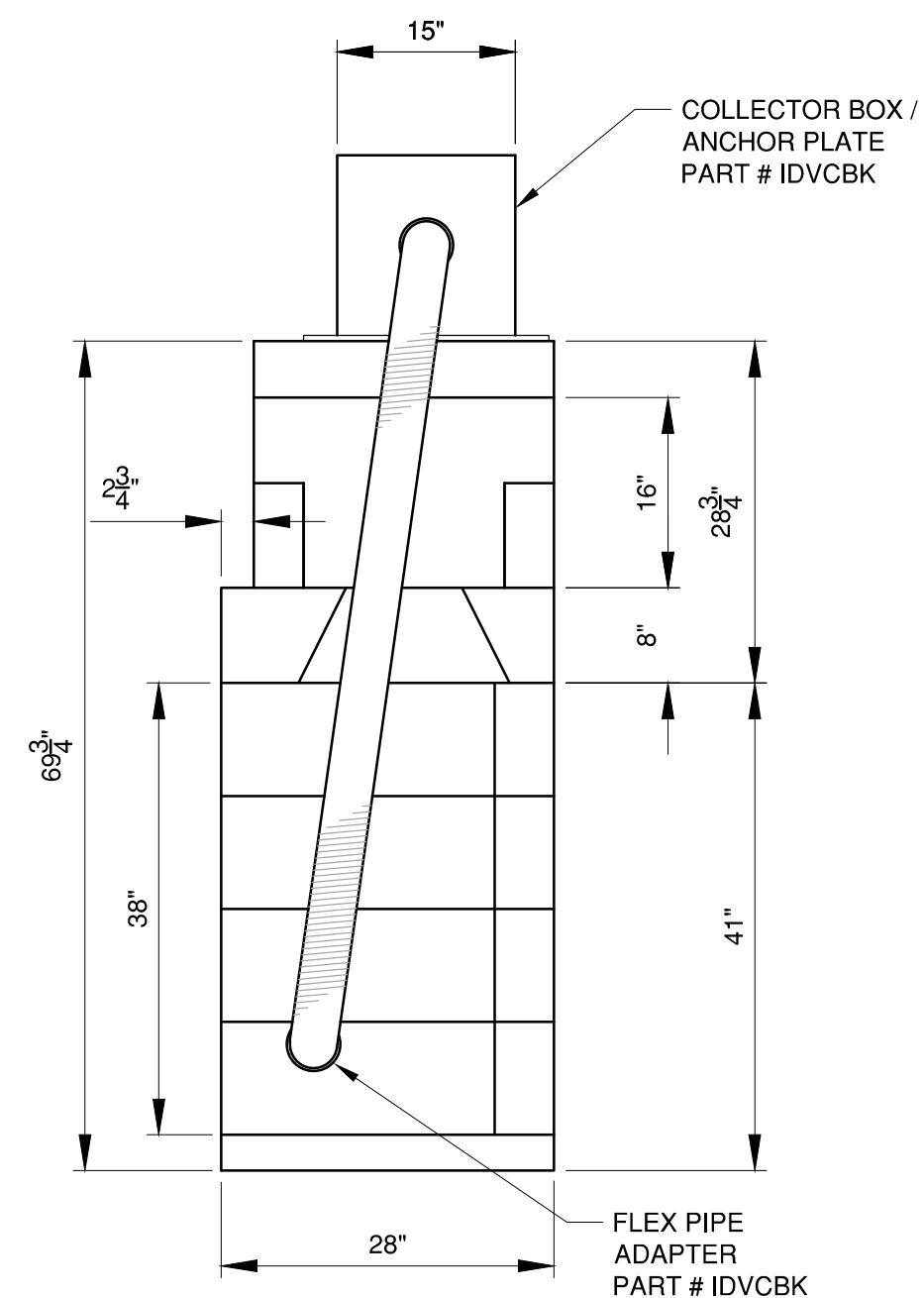
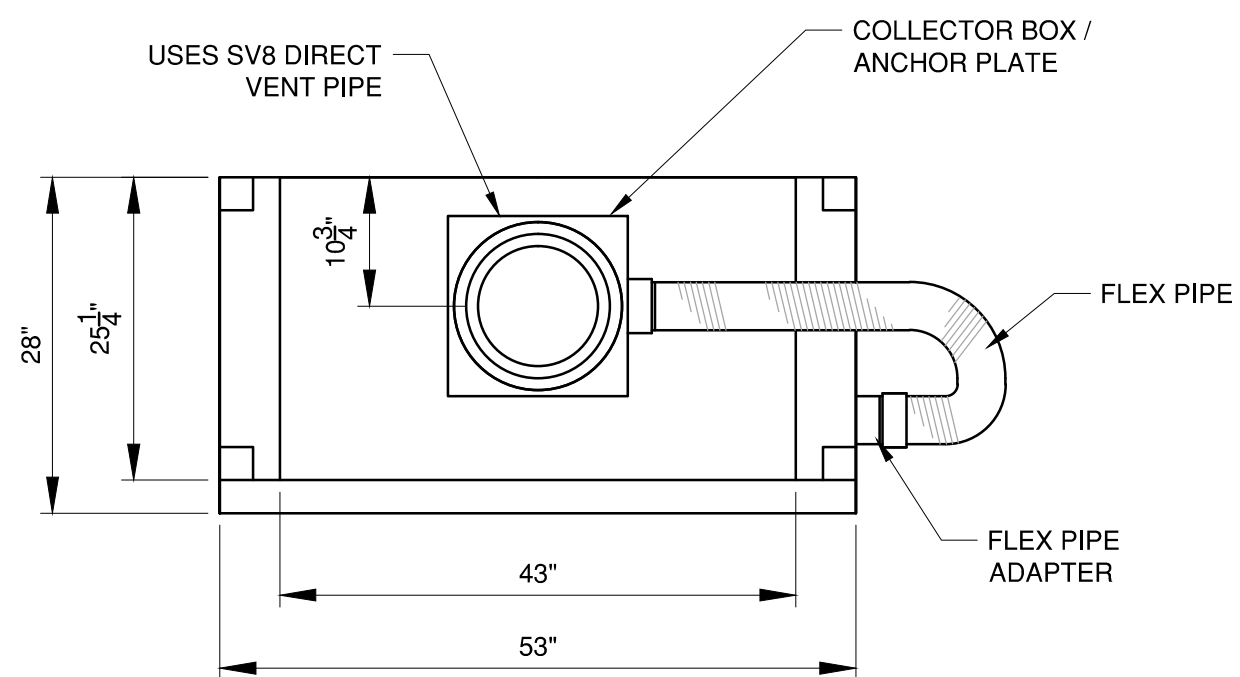


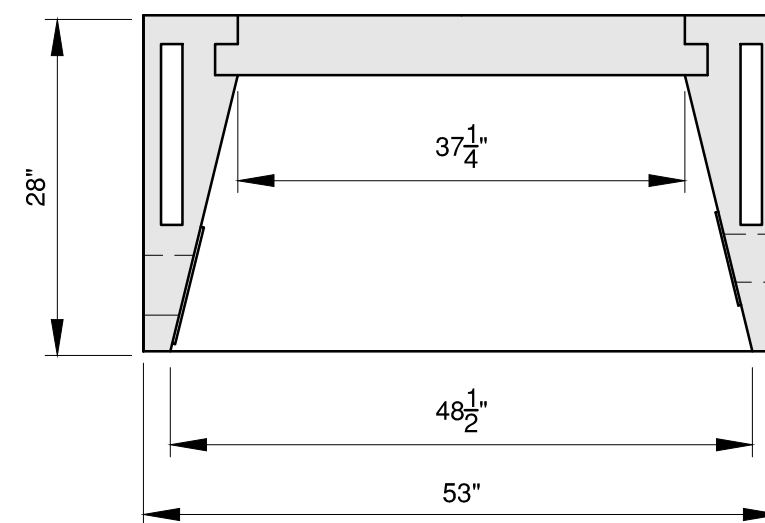
FRONT VIEW



SIDE VIEW



TOP VIEW



SECTION "A" - "A"

NOTE: THESE ARE INSIDE ROUGH DIMENSIONS BEFORE FIREBRICK

MAXIMUS DIRECT VENT GAS FIREPLACE ALSO INCLUDES:

DOOR SYSTEM

- DOOR FRAME
- GLASS FRAME
- GLASS
- GASKET
- SEALANT
- BARRIER WITH MAGNETS
- BARRIER TRIM

CONTROL & BURNER SYSTEM

- PILOT MODULE
- WIRE HARNESS POWER
- WIRE HARNESS CONTROL
- WIRE HARNESS BATTERY BOX
- GAS ORIFICE PAN
- GAS ORIFICE REAR
- BATTERY PACK
- AC ADAPTOR
- PROFLAME REMOTE
- GAS CONNECTOR
- BURNER ASSEMBLY
- LOG SET

NOTES:

1. DRAWINGS ARE FOR DESIGN PURPOSES ONLY AND ARE THE SOLE PROPERTY OF EARTHCORE INDUSTRIES. ANY REPRODUCTION OR UNAUTHORIZED USE IS STRICTLY PROHIBITED.
2. EARTHCORE / ISOKERN OR ANY DIVISION THEREOF SHALL NOT BE HELD LIABLE FOR ANY INCIDENTAL OR CONSEQUENTIAL DAMAGES OR EXPENSES ARISING OUT OF THE USE OF THE FIREPLACES OR CHIMNEY SYSTEMS.
3. REFER TO OWNERS MANUAL FOR PROPER INSTALLATION AND OPERATION.
4. DRAWINGS SHOWN ARE INSIDE ROUGH DIMENSIONS BEFORE FIREBRICK.

ISOKERN
Fireplaces and Chimney Systems
A PRODUCT OF EARTHCORE INDUSTRIES, LLC

6899 PHILLIPS INDUSTRIAL BLVD
JACKSONVILLE, FLORIDA 32256
TEL (904) 363-3417
FAX (904) 363-3408
www.earthcore.co

MAXIMUS 48"

PROJECT:

DATE:

SEPT, 9, 2016