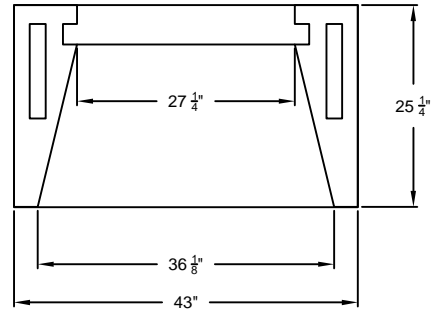


SECTION A-A

FRONT VIEW



PLAN VIEW

**PLAN, SECTION and ELEVATION of
ISOKERN 36 UNVENTED GAS LOG ENCLOSURE**



Fireplaces and Chimney Systems
A PRODUCT OF EARTH CORE INDUSTRIES, LLC

6899 PHILLIPS INDUSTRIAL BLVD
JACKSONVILLE, FLORIDA 32256
TEL (904) 363-3417
FAX (904) 363-3408
www.isokern.net

DWG. NO.	SCALE
VF1.1	$\frac{1}{2}'' = 1'-0''$
DESCRIPTION	
Vent-Free 36	
DATE	DB:
09/01/2009	JMK

REVISIONS	BY