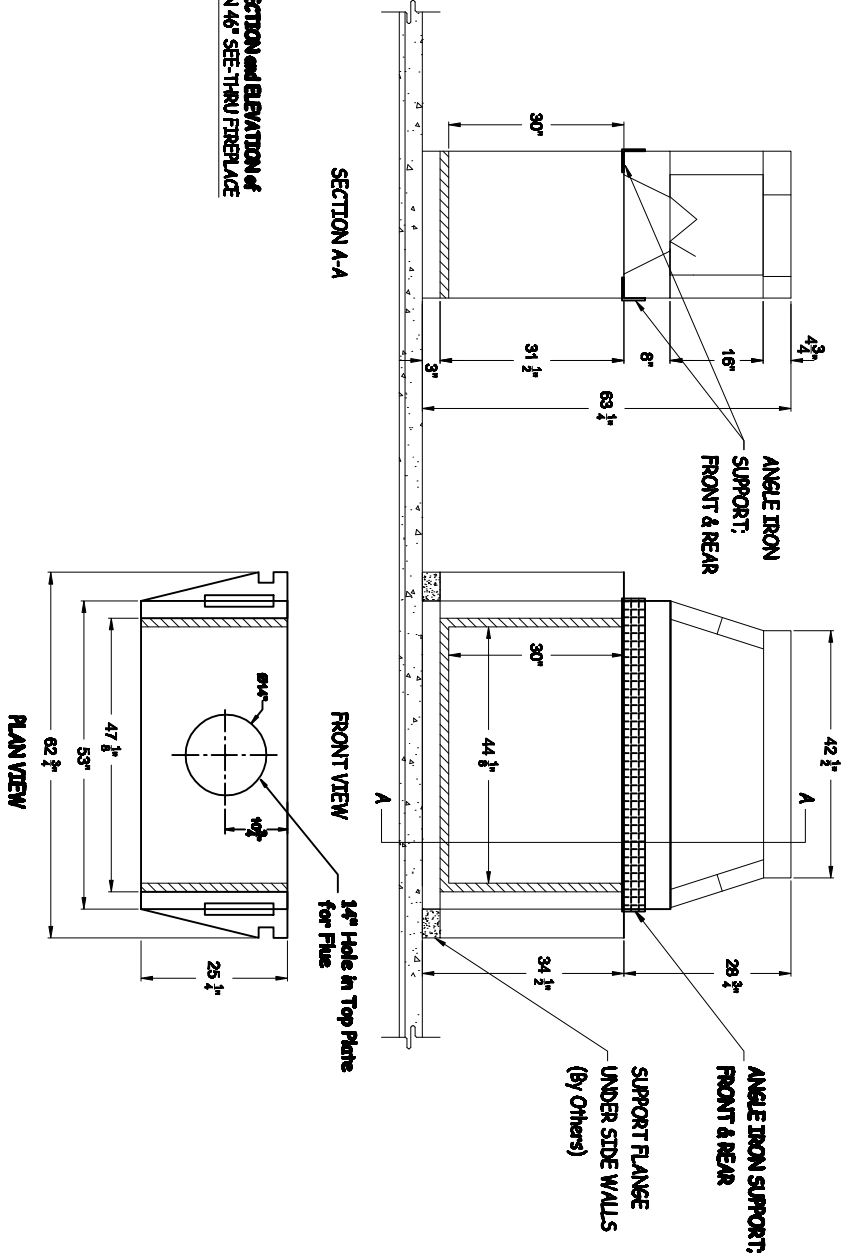


- Notes:**
- Checklist for codes based on the applicable project and code.
 - Checklist/Drawings or any details shown, shall not be held liable for any liability or responsibility assigned or assumed either in or out of the scope of the Project or design system.
 - Changes are the sole property of Earthcore Industries. Any changes to the drawings shall be made by Earthcore Industries.
 - The exact performance of your system including fireplaces, stoves and other appliances is dependent on the use of a qualified installation system.
 - Always follow applicable codes and standards. From a national standard to a local code, always follow the most restrictive standard.

PLAN, SECTION and ELEVATION of ISOKERN 46 - SEE THRU FIBERGLASS



ISOKERN®
 Fireplaces and Chimney Systems
 A PRODUCT OF EARTH-CORE INDUSTRIES, LLC

6609 PHILLIPS INDUSTRIAL BLVD
 JACKSONVILLE, FLORIDA 32218
 TEL (904) 383-9417
 FAX (904) 383-9408
 www.earthcore.com

DWG. NO.	SCALE
ST2.3	3/8" = 1'-0"
Standard 46 - See Thru	
DATE	DR:
01/10/2011	JMK

REVISIONS	BY