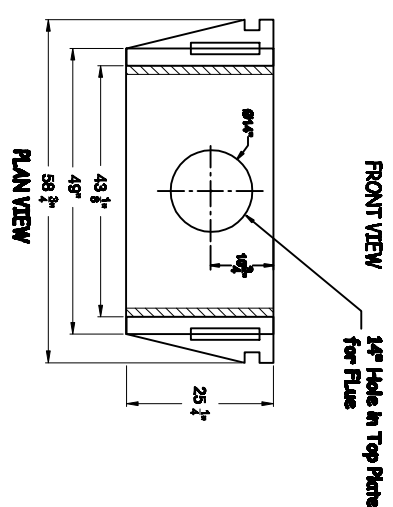


PLAN, SECTION and ELEVATION of  
ISOKERN 42" SEE-THRU FIREPLACE



Notes:  
 1. Drawings for certain features are for illustrative purposes and do not constitute a contract.  
 2. Fireplaces shall be installed in accordance with the International Residential Code (IRC) and the National Fire Protection Association (NFPA) standards.  
 3. The manufacturer shall not be responsible for any damage to property or injury to persons resulting from the use of this fireplace or chimney system.  
 4. The manufacturer shall not be responsible for any damage to property or injury to persons resulting from the use of this fireplace or chimney system.  
 5. The manufacturer shall not be responsible for any damage to property or injury to persons resulting from the use of this fireplace or chimney system.  
 6. The manufacturer shall not be responsible for any damage to property or injury to persons resulting from the use of this fireplace or chimney system.  
 7. The manufacturer shall not be responsible for any damage to property or injury to persons resulting from the use of this fireplace or chimney system.  
 8. The manufacturer shall not be responsible for any damage to property or injury to persons resulting from the use of this fireplace or chimney system.  
 9. The manufacturer shall not be responsible for any damage to property or injury to persons resulting from the use of this fireplace or chimney system.  
 10. The manufacturer shall not be responsible for any damage to property or injury to persons resulting from the use of this fireplace or chimney system.

**ISOKERN**<sup>®</sup>  
 Fireplaces and Chimney Systems  
 A PRODUCT OF EARTHCORE INDUSTRIES, LLC

6000 PHILLIPS INDUSTRIAL BLVD  
 JACKSONVILLE, FLORIDA 32288  
 TEL (904) 383-3417  
 FAX (904) 383-3408  
 WWW.EARTHCORE.US

DWG. NO.	SCALE	REVISIONS	BY
ST2.2	3/8" = 1'-0"		
DESCRIPTION			
Standard 42-See-Thru			
DATE	DB:		
01/10/2011	JMK		