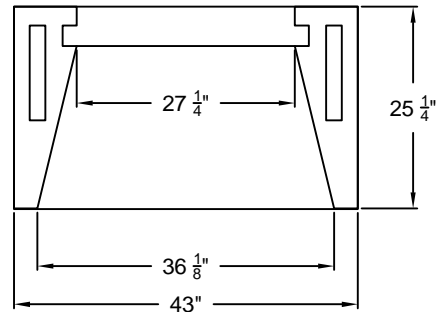


SECTION A-A

FRONT VIEW



PLAN VIEW

# PLAN, SECTION and ELEVATION of ISOKERN STANDARD 36" FIRE\_LITE

SCALE:  $1/2" = 1'-0"$



Fireplaces and Chimney Systems  
A PRODUCT OF EARTHCORE INDUSTRIES, LLC

6899 PHILLIPS INDUSTRIAL BLVD  
JACKSONVILLE, FLORIDA 32256  
TEL (904) 363-3417  
FAX (904) 363-3408  
www.isokern.net

DWG. NO.

SF1.1

SCALE

$\frac{1}{2}" = 1'-0"$

DESCRIPTION

Standard 36 Fire-Lite

DATE

01/25/2010

DB:

JMK

REVISIONS

BY

REVISIONS	BY