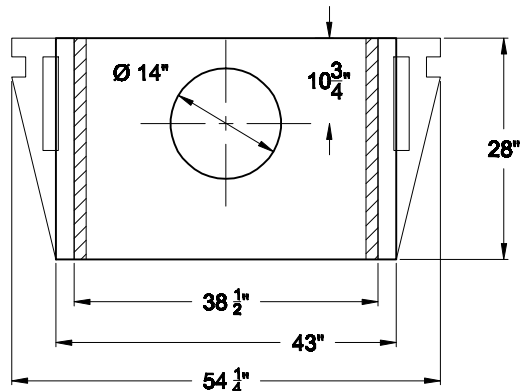


SECTION A-A

FRONT VIEW

**PLAN, SECTION and ELEVATION of  
ISOKERN 36 SEE\_THRU FIREPLACE**



PLAN VIEW

**Disclaimer:**

- A. Drawings for custom boxes are for illustration purposes and BOM only.
- B. Earthcore/Isokern or any division thereof, shall not be held liable for any incidental or consequential damages or expenses arising out of the use of the fireplaces or chimney systems.
- C. Drawings are the sole property of Earthcore Industries. Any reproduction or unauthorized use is strictly prohibited.
- D. To assist performance of your custom Isokern fireplace, though not required, Earthcore recommends the use of a mechanical ventilation system.

Note: Isokern components are manufactured from a natural material and slight variations in dimensions may occur. These variations should be no more than 1/8".



Fireplaces and Chimney Systems  
A PRODUCT OF EARTHCORE INDUSTRIES, LLC

6600 PHILLIPS INDUSTRIAL BLVD  
JACKSONVILLE, FLORIDA 32256  
TEL (904) 363-3417  
FAX (904) 363-3408  
www.earthcore.co

DWG. NO.	SCALE	REVISIONS	BY
M1.2a	1/2" = 1'-0"		
DESCRIPTION			
Magnum 36-See-Thru			
DATE	DB:		
09/01/2009	JMK		