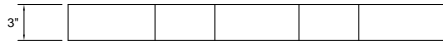
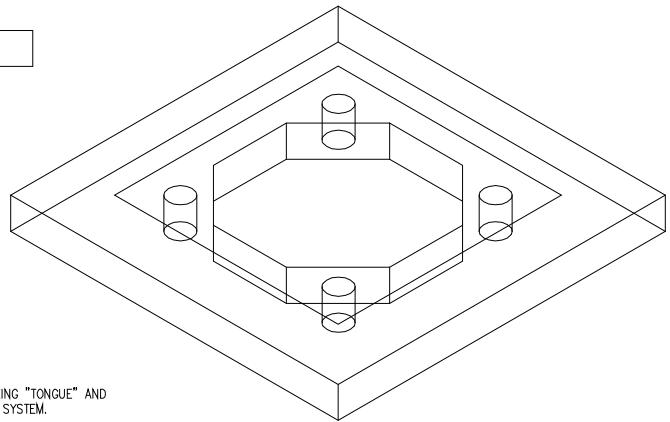


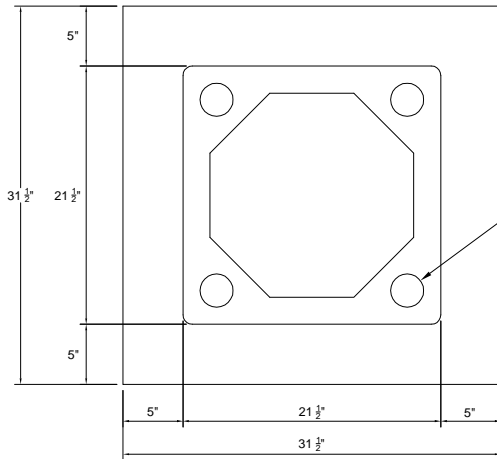
**SECTION**



**ELEVATION**



**ISOMETRIC VIEW**



**PLAN VIEW**

INTERLOCKING "TONGUE" AND "GROOVE" SYSTEM.

HOLES FOR REBAR AND GROUT, IF REQUIRED.

**ISOKERN**<sup>®</sup>  
 Fireplaces and Chimney Systems  
 A PRODUCT OF EARTHCORE INDUSTRIES, LLC

6899 PHILLIPS INDUSTRIAL BLVD  
 JACKSONVILLE, FLORIDA 32256  
 TEL (904) 363-3417  
 FAX (904) 363-3408  
 www.isokern.net

DWG. NO.	SCALE
DM1.3	3/4" = 1'-0"
DESCRIPTION	
DM 54 -Brickledge	
DATE	DB:
09/01/2009	JMK

REVISIONS	BY