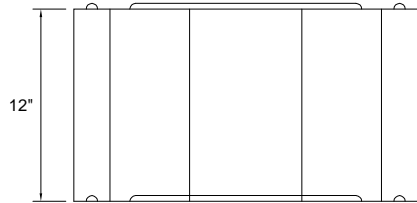
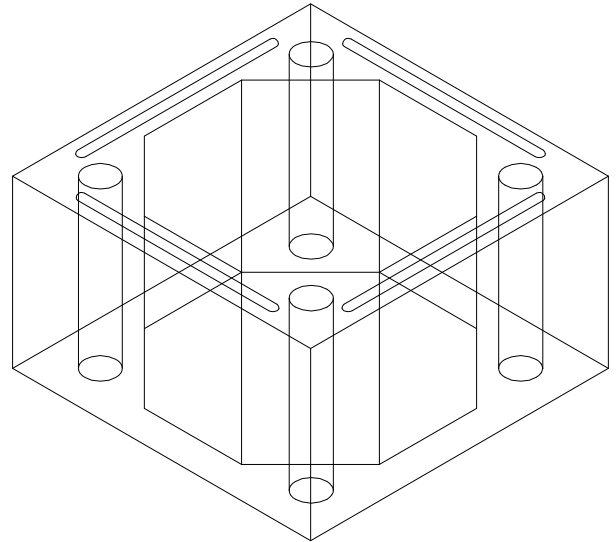


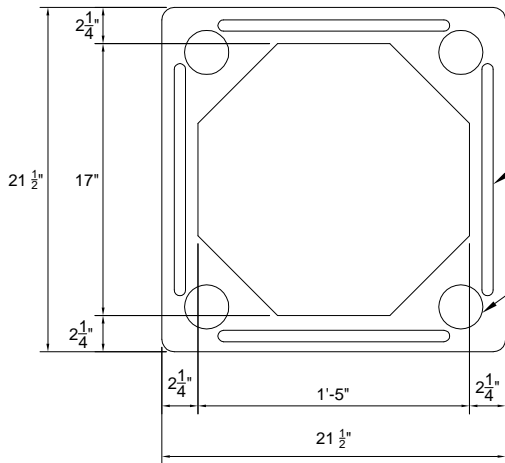
SECTION



ELEVATION



ISOMETRIC VIEW



PLAN VIEW

INTERLOCKING "TONGUE" AND "GROOVE" SYSTEM.

HOLES FOR REBAR AND GROUT, IF REQUIRED.

ISOKERN[®]
 Fireplaces and Chimney Systems
 A PRODUCT OF EARTHCORE INDUSTRIES, LLC

6899 PHILLIPS INDUSTRIAL BLVD
 JACKSONVILLE, FLORIDA 32256
 TEL (904) 363-3417
 FAX (904) 363-3408
 www.isokern.net

DWG. NO.	SCALE	REVISIONS	BY
DM1.2	1" = 1'-0"		
DESCRIPTION			
DM 54 -Outer Casing			
DATE	DB:		
09/01/2009	JMK		