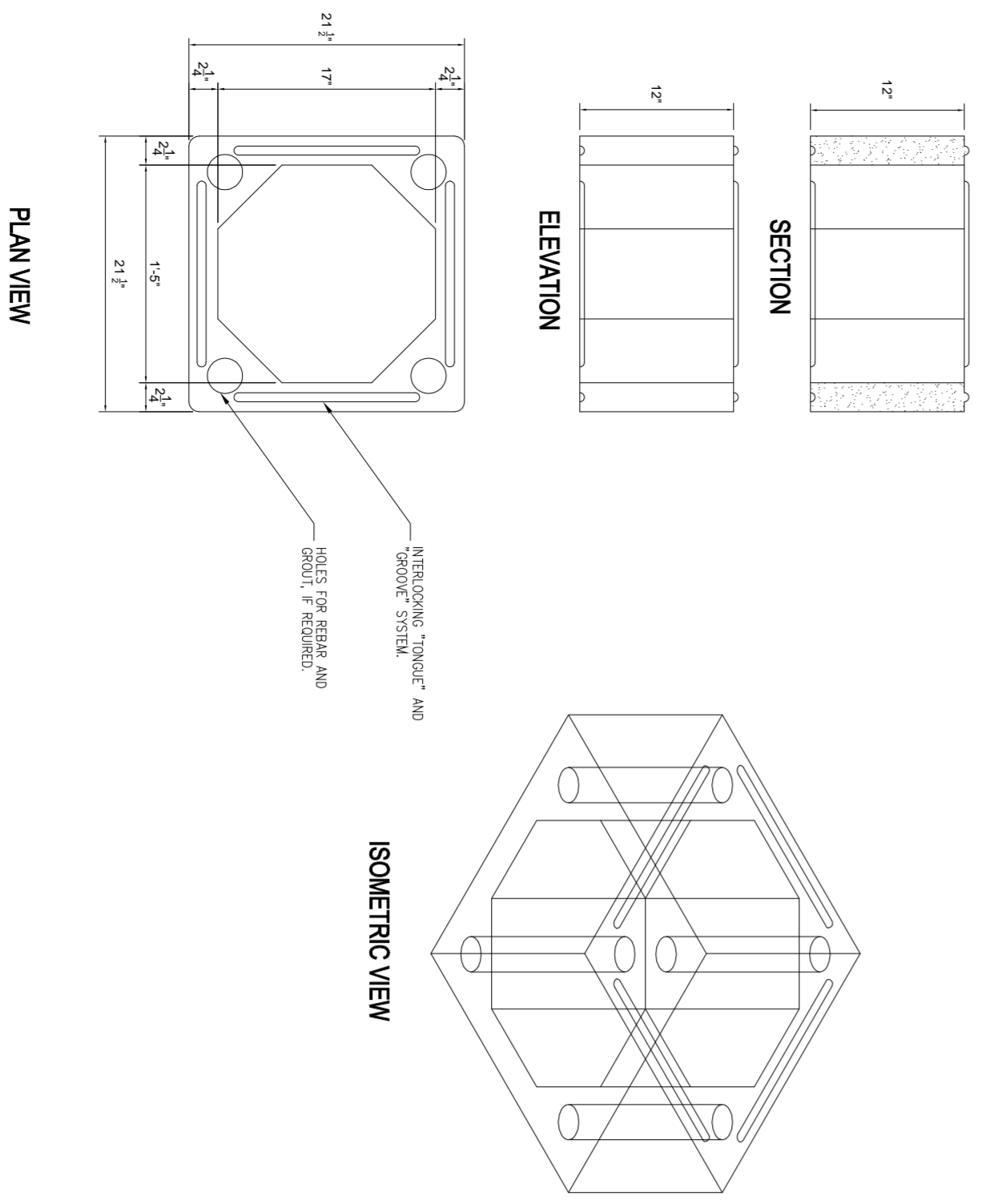
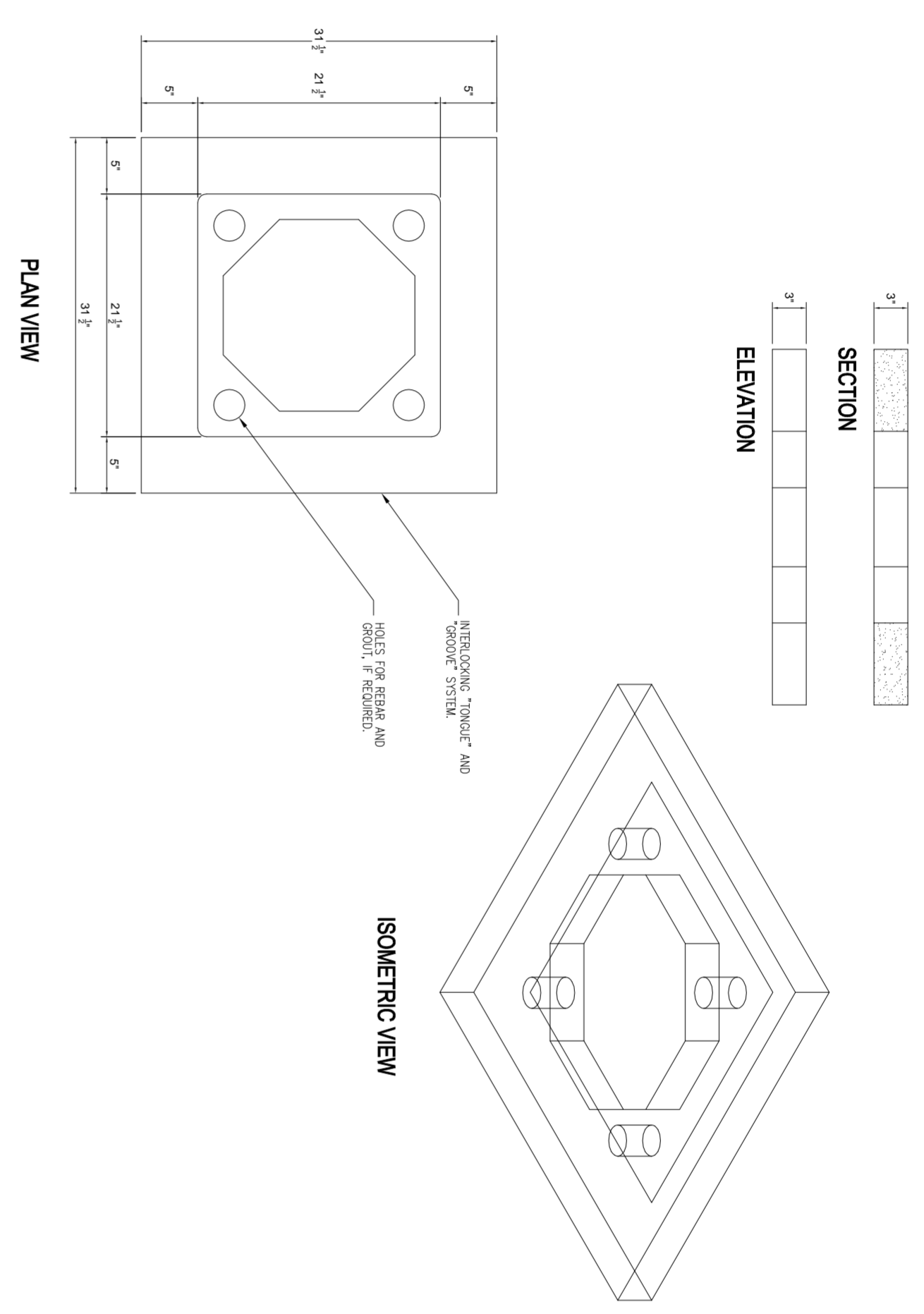


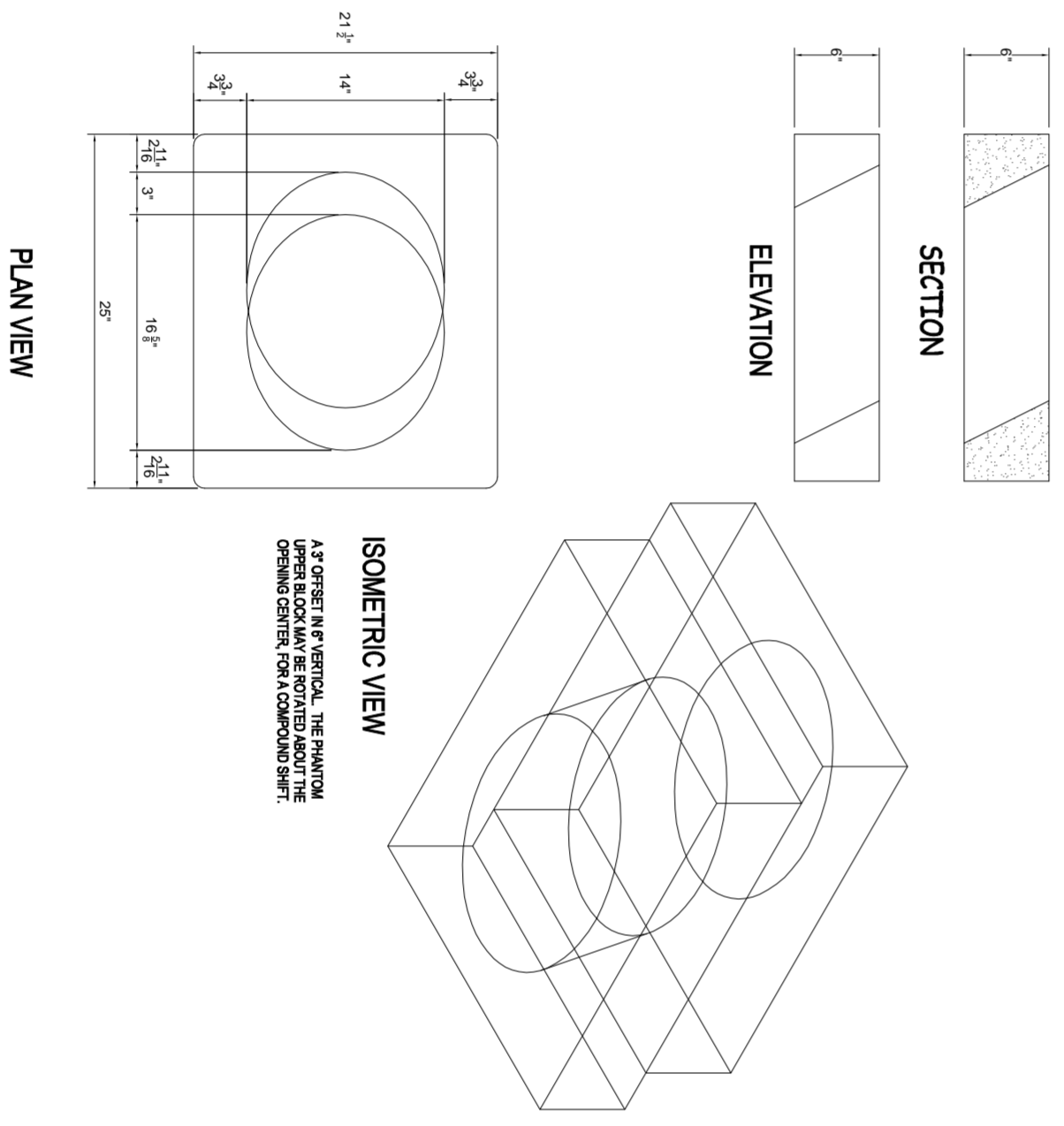
DM 54
14" Ø LINER, 12" TALL and
14" Ø 6" STARTER FLUE
 SCALE: 1" = 1'-0"



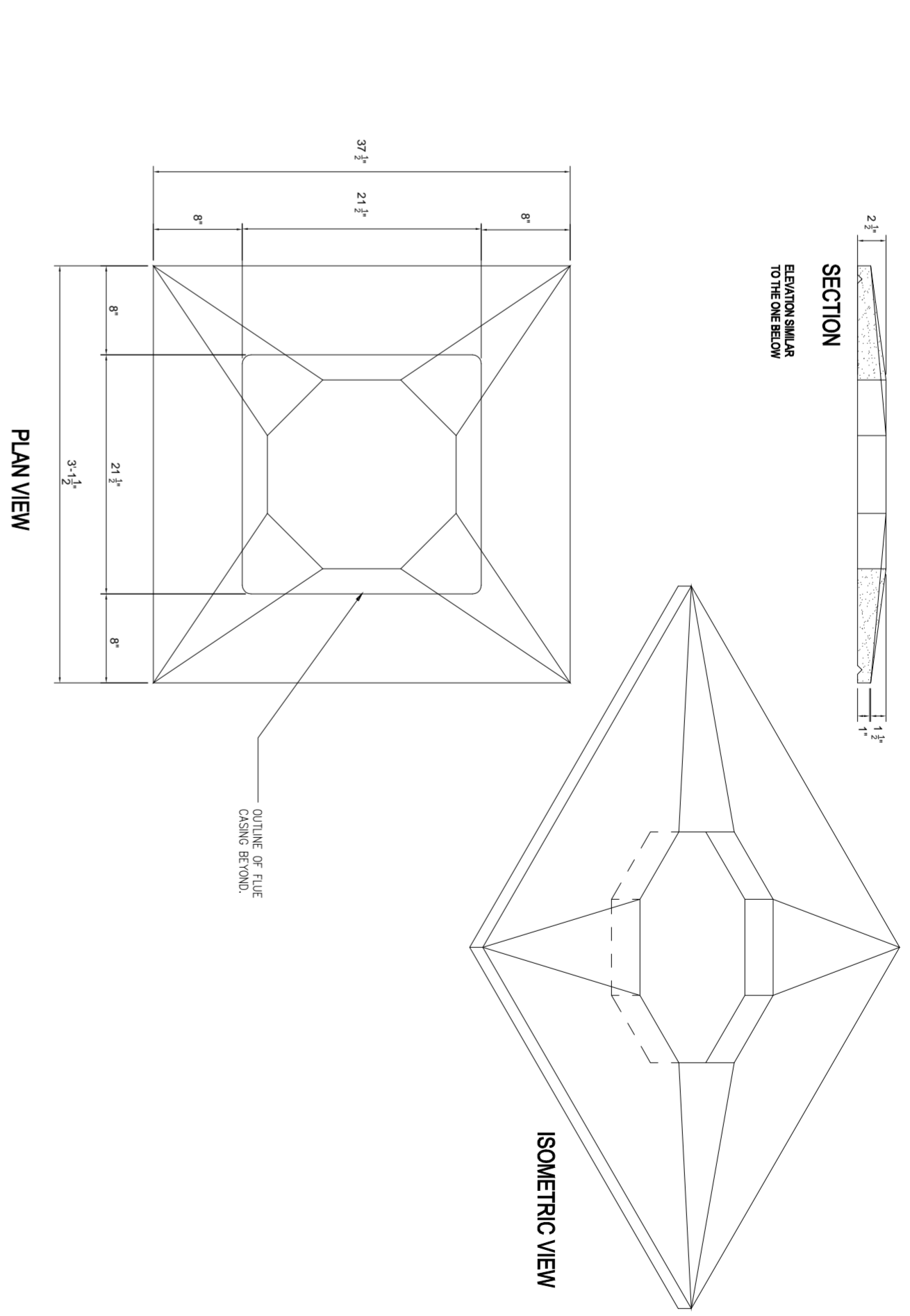
DM 54 FLUE OUTER CASING
 SCALE: 1" = 1'-0"



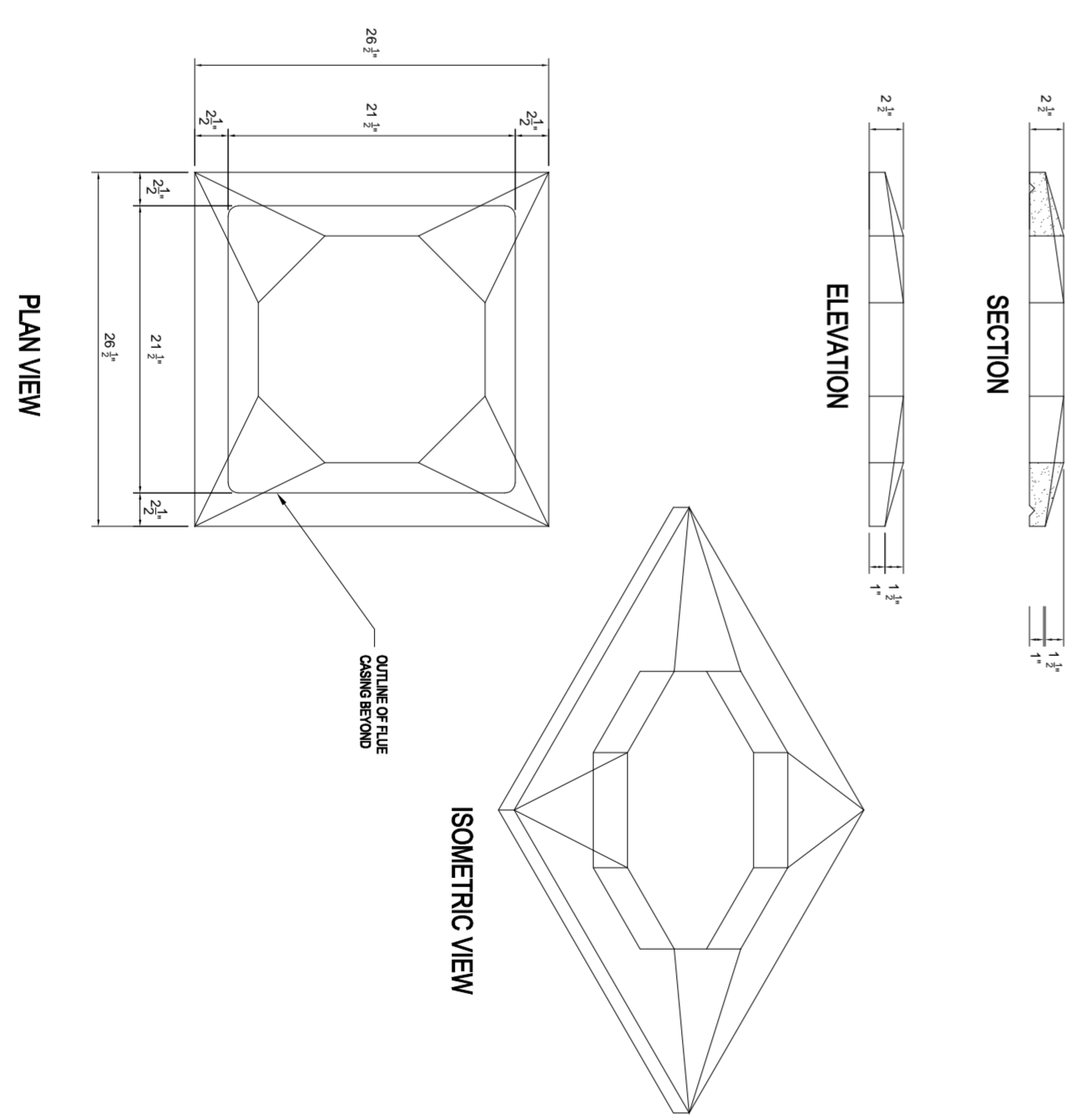
DM 54 FLUE BRICK LEDGE
 SCALE: 1" = 1'-0"



DM 54 FLUE 14" Ø OFFSET BLOCK
 SCALE: 1" = 1'-0"



DM 54 FLUE LARGE CROWN CAP
 SCALE: 1" = 1'-0"



DM 54 FLUE SMALL CROWN CAP
 SCALE: 1" = 1'-0"

6899 PHILLIPS INDUSTRIAL BLVD
 JACKSONVILLE, FLORIDA 32256
 TEL (904) 363-3417
 FAX (904) 363-3408
 www.isokern.net

earthcore[®]
 INDUSTRIES, INC.

ISOKERN DM CHIMNEY
COMPONENTS

DWG NUMBER	070000
SIZE	D
REV	A
RELEASE DATE	03/29/06
SCALE	1" = 1'

DM-1.0